

Service
Service
Service

FL 1.14 **FL 2.14**

FL 1.16 **FL 2.16**

FL 1.17

AA

Service Manual

Contents

Page

1. Technical data		1
2. Connection facilities		1
3. Warnings and notes		2
4. Mechanical instructions		2
5. Block diagram		3
6. Elektrical diagrams and PCB layouts		
Power supply	(Diagram A)	3
Tuner, Source selection	(Diagram C)	6
Synchronisation & Deflection	(Diagram B)	7
Video processing	(Diagram D)	10
Sound processing	(Diagram F)	12
Operation	(Diagram H)	14
Picture tube panel	(Diagram E)	15
Sound power Amplifier	(Diagram G)	15
Y/C Detector	(Diagram I)	17
SCAVEM filter	(Diagram Y)	17
SCAVEM amplifier	(Diagram Z)	17
NICAM module	(Diagram K)	19
PIP module	(Diagram J)	20
LFR Box (100 Hz, LFR)	(Diagram M)	21
LFR Box (TXT)	(Diagram L)	22
100 Hz/TXT (FLX.17)	(Diagram L')	23
7. Elektrical settings		24
8. List of error messages and repair tips		26
9. Directions for use		28
10. Elektrical parts list		30

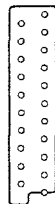
1. Technical data

Mains voltage	: 220 - 240 V ($\pm 10\%$)
	: 50 Hz - 60 Hz ($\pm 5\%$)
Aerial input impedance	: 75 Ω - coaxial
Minimum aerial voltage	: 30 μ V (VHF), 40 μ V (UHF)
Maximum aerial voltage VHF/S/UHF	: 180 mV
Programmes	: 0 - 59
VCR programmes	: 0, 50 - 59


2. Connection facilities

Specification of the connectors

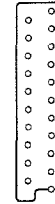
EXT1 (AUX): RGB+CVBS

	1 -Audio	\odot	R(0,5VRMS \leq 1k Ω)
	2 -Audio	\ominus	R(0,5VRMS \geq 10k Ω)
	3 -Audio	\odot	L(0,5VRMS \leq 1k Ω)
	4 -Audio	\perp	
	5 -Blue	\perp	
	6 -Audio	\ominus	L(0,5VRMS \geq 10k Ω)
	7 -Blue (0,7V _{pp} /75 Ω)		
	8 -CVBS-status	\ominus	0-2V: INT


4,5-7V: EXT 16:9
9,5-12V: EXT 4:3

	9 -Green	\perp	
	10 --		
	11 -Green (0,7V _{pp} /75 Ω)		
	12 --		
	13 -Red	\perp	
	14 -RGB-status		
	15 -Red (0,7V _{pp} /75 Ω)		
	16 -RGB-status (0-0,4V: INT; 1-3V: EXT/75 Ω)		
	17 -CVBS	\perp	
	18 -CVBS	\perp	
	19 -CVBS	\odot	(1V _{pp} /75 Ω)
	20 -CVBS	\ominus	(1V _{pp} /75 Ω)
	21 -Earthscreens		


EXT2 (VCR): Y/C+CVBS

	1 -Audio	\odot	R(0,5VRMS \leq 1k Ω)
	2 -Audio	\ominus	R(0,5VRMS \geq 10k Ω)
	3 -Audio	\odot	L(0,5VRMS \leq 1k Ω)
	4 -Audio	\perp	
	5 -		
	6 -Audio	\ominus	L(0,5VRMS \geq 10k Ω)
	7 --		
	8 -CVBS-status	\ominus	0-2V: int


4,5-7V: EXT 16:9
9,5-12V: EXT 4:3
 \ominus 4,5 : EXT 16:9

	9 --		
	10 --		
	11 --		
	12 --		
	13 -CHROMA	\perp	
	14 --		
	15 -CHROMA	\ominus	(1V _{pp} /75 Ω)
	16 --		
	17 -CVBS	\perp	
	18 -CVBS	\perp	
	19 -CVBS	\odot	(1V _{pp} /75 Ω)
	20 -CVBS/Y	\ominus	(1V _{pp} /75 Ω)
	21 -Earthscreens		

EXT3 (front)


SVHS	1 -	\perp	
	2 -	\perp	
	3 - Y	\ominus	(1V _{pp} ; 75 Ω)
	4 - C	\ominus	(0,3V _{pp} ; 75 Ω)

\odot CINCH Video \ominus 300mV_{pp}/75 Ω
 \odot CINCH Audio \ominus L(0,2 - 2VRMS; \geq 10k Ω)
 \odot CINCH Audio \ominus R(0,2 - 2VRMS; \geq 10k Ω)


 \square \perp 32-2000 Ω \geq 10mW
3.5mm
6.3mm

Audio out (rear)


\odot CINCH Audio	\odot	L(0,5VRMS; \leq 1k Ω)
\odot CINCH Audio	\odot	R(0,5VRMS; \leq 1k Ω)

	front	: 2 x 16W / 8 Ω
	rear	: 2 x 6W / 8 Ω

EXT2 (SVHS) (rear)

SVHS	1 -	\perp	
	2 -	\perp	
	3 - Y	\ominus	(1V _{pp} ; 75 Ω)
	4 - C	\ominus	(0,3V _{pp} ; 75 Ω)

\odot CINCH Audio \ominus L(0,2 - 2VRMS; \geq 10k Ω)
 \odot CINCH Audio \ominus R(0,2 - 2VRMS; \geq 10k Ω)

SVHS	1 -	\perp	
	2 -	\perp	
	3 - Y	\odot	(1V _{pp} ; 75 Ω)
	4 - C	\odot	(0,3V _{pp} ; 75 Ω)

\odot CINCH Audio	\odot	L(0,2 - 2VRMS; \leq 1k Ω)
\odot CINCH Audio	\odot	R(0,2 - 2VRMS; \leq 1k Ω)

Warnings and Notes

Safety regulations require that the unit should be returned in its original condition and that components identical to the original components are used. The safety components are indicated by the symbol **▲**

In order to prevent damage to ICs and transistors, all high-voltage flashovers must be avoided. In order to prevent damage to the picture tube, the method shown in Fig. 3.1 should be used to discharge the picture tube. Use a high-voltage probe and a multimeter (position DC-V). Discharge until the meter reading is 0V (after approx. 30s).



All ICs and many other semiconductors are sensitive to electrostatic discharges (ESD). Careless handling during repair can drastically shorten the life. Make sure that during repair you are connected by a pulse band with resistance to the same potential as the earth of the unit. Keep components and tools also at this same potential.

When repairing a unit, always connect it to the mains voltage via an isolating transformer.

Be careful when taking measurements in the high-voltage section and on the picture tube.

Never replace modules or other components while the unit is switched on.

It is recommended that safety goggles are worn when replacing the picture tube.

When making settings, use plastic rather than metal tools. This will prevent any short circuits and the danger of a circuit becoming unstable.

After repair the wiring should be fastened once more in the cable clamps for this purpose.

In order to prevent measuring errors, the heat sinks should not be used as reference points for measurements. **The heat sink for the sound output amplifier is connected to the -11 volts.**

On this unit the 140 volt supply voltage is not supplied via an interconnection on the deflection yoke to the line output transformer. When the deflection cable is detached, the +140 volt supply remains loaded. In order to unload the +140 volts, coil 5511 should be removed.

Together with the deflection unit and any multipole unit, the flat square picture tubes used form an integrated unit. The deflection and the multipole units are set optimally at the factory. Adjustment of this unit during repair is therefore not recommended.

1. The direct voltages and oscillograms should be measured with regard to the tuner earth (\perp), or hot earth (\perp) as this is called.
2. The direct voltages and oscillograms shown in the diagrams should be measured in the **Service Default Mode** (see chapter 8) with a colour bar signal and stereo sound (L: 3 kHz, R: 1 kHz unless stated otherwise) and picture carrier at 475.25 MHz.
3. Where necessary, the oscillograms and direct voltages are measured with (\square) and without aerial signal (\times) Voltages in the power supply section are measured both for normal operation (\odot) and in standby (\ominus). These values are indicated by means of the appropriate symbols.
4. The picture tube PCB has printed spark gaps. Each spark gap is connected between an electrode of the picture tube and the Aquadag coating.
5. The semiconductors indicated in the circuit diagram and in the parts lists are completely interchangeable per position with the *semiconductors in the unit, irrespective of the type indication on these semiconductors.*
6. The connectors used for the modules (board to board) are gold-plated and should only be replaced by the same type.

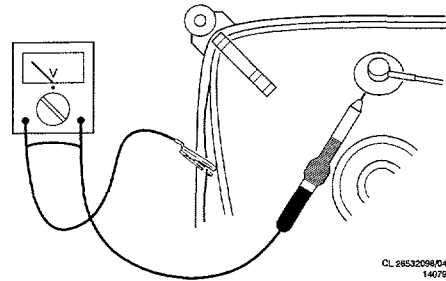
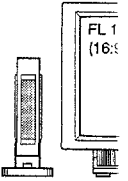
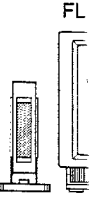


Fig. 3.1

4. M

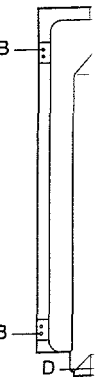
It is cabl that guar

1. Moc



2. Rem

Before subw FL1:C subw FL2:F fixed. so th: the re arrow Disco arrow prese Remc



4. Mechanical instructions

It is extremely important that following disassembly all cables are replaced in their original positions in order that safety and sound and picture quality may be guaranteed.

1. Model overview (fig.1)

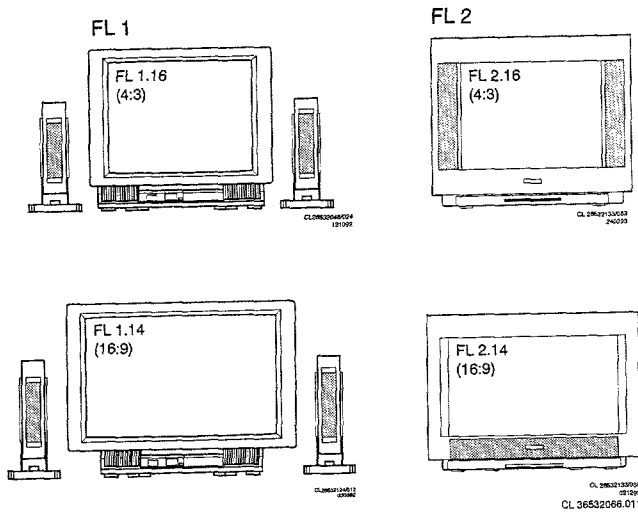


Fig.1

2. Removing the rear panel (fig.2 + 3)

Before the rear panel is removed the connection to the subwoofer should first be disconnected:

FL1: Open the flap in the rear panel. Disconnect the subwoofer cable. (connector L36)

FL2: Remove the three screws A with which the grille is fixed. Tap the grille downwards as indicated by arrow 1, so that the grille becomes loose. Remove the grille from the rear panel by pulling it in the direction indicated by arrow 2.

Disconnect the cable from the subwoofer as indicated by arrow 3. Remove screws B and C, and also screws D if present.

Remove the rear panel from the set.

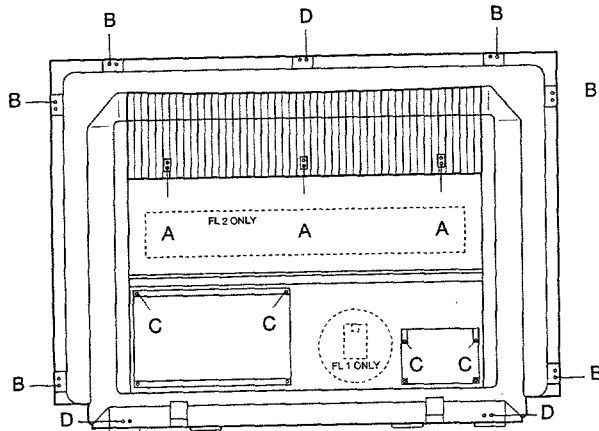


Fig.2

CL 26521231033
220493

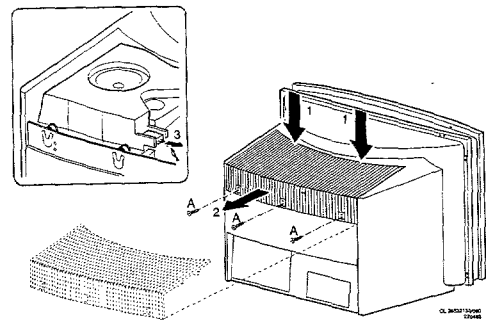


Fig.3

3. Service positions FL1

FL1 can be placed in two service positions. (Fig.4) Remove the rear panel.

Remove the screw behind the flap on the front side of the set.

Service position 1:

If present, press down the lugs with which the chassis is secured and pull both panels simultaneously to the rear, removing any hindering cables from the cable ties if necessary.

Place the panels vertically behind the set as illustrated in figure 4a.

Service position 2:

Disconnect connectors L01, L02 and L03 that connect the small (SSP) and large signal panel (LSP) together. Pull the panel concerned backwards out of the set. Using extension cable set 4822 320 20209 (fig.5) reconnect both panels together. Place the panel concerned behind the set as illustrated in figure 4b.

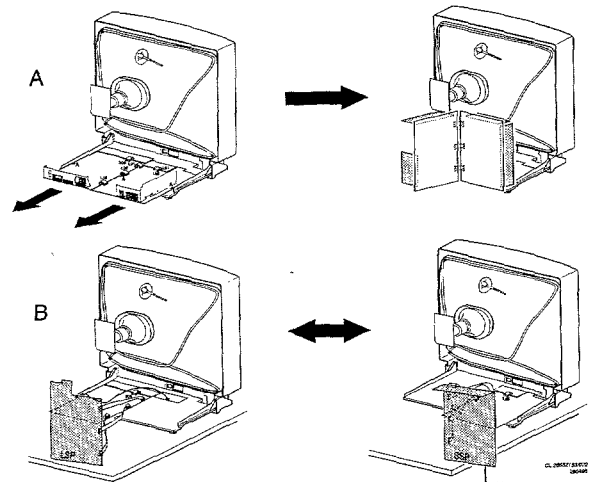


Fig.4

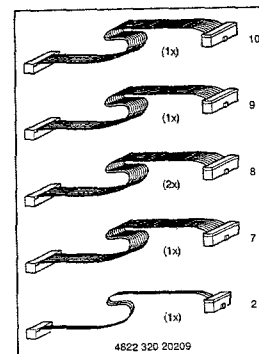


Fig.5

CL 26521231033
220493

4. Service positions FL2

FL2 can be placed in two service positions. (fig.6)

Remove the rear panel.

Service position 1:

Disconnect connectors E47 and E48. These connectors are located on the side of the set and connect the chassis with the audio, video and headphone connections (FRONT).

Lift the chassis frame at the rear and remove it from the cabinet, removing any hindering cables from the cabinet, taking care to ensure that the chassis frame lugs are located into the correct recesses.

Service position 2:

Place the chassis in service position 1.

Click the infra-red receiver (IR) out of the retainer located under the picture tube.

Remove the cables to the panel with buttons for local operation from their ties and then click the operating panel out of its holder.

Disconnect the cable to the degaussing coil on the picture tube from the mains filter panel. Remove the cables from and to the mains filter from their cable ties. Click the two service legs loose and place them vertically in the holes as indicated in the diagram. Tilt the entire chassis frame and place the entire unit on both service legs so that the solder side is accessible.

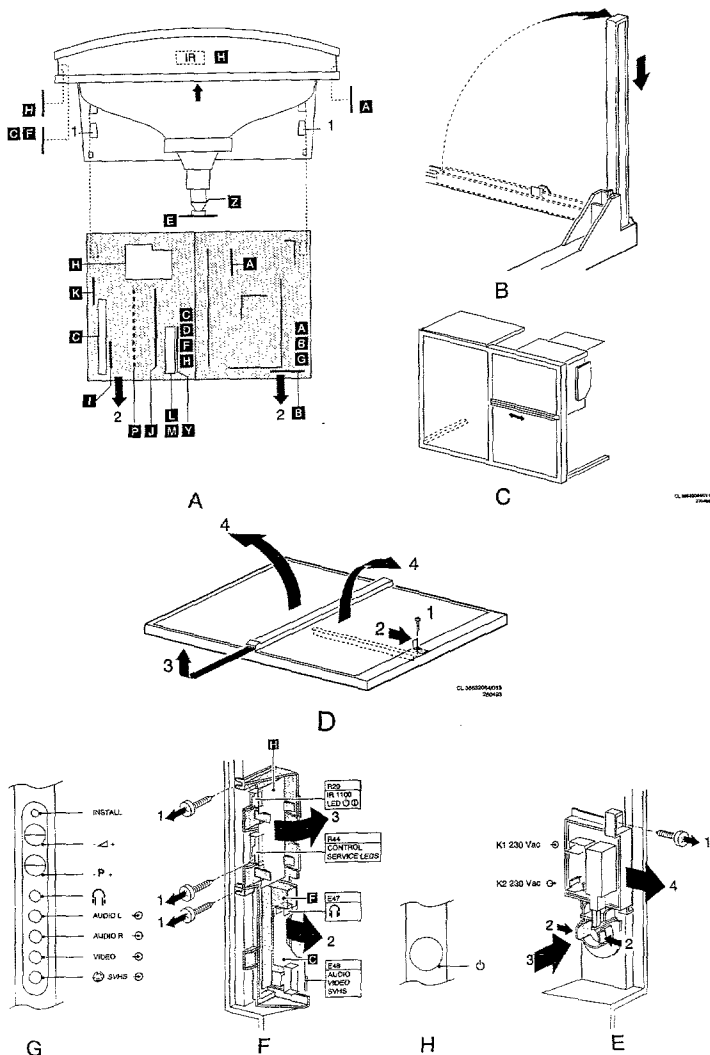


Fig.6

5. Removing the mask from FL2 (fig.7)

Remove the rear panel.

Remove the chassis frame with the chassis from the cabinet.

Remove screws E as indicated in the diagram. Loosen the snap connection under the picture tube. Remove the masker in the manner illustrated in the diagram.

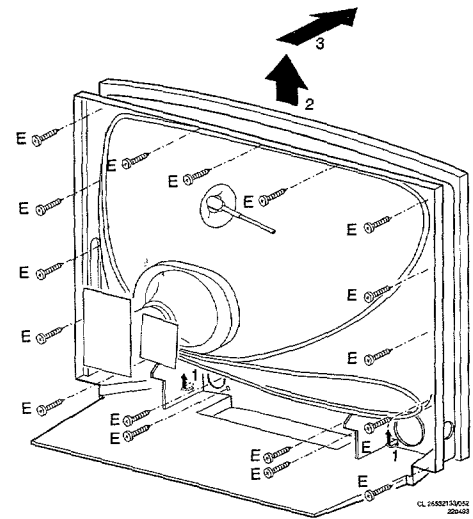


Fig.7

6. Replacing the picture tube.

Remove the rear panel.

Discharge the picture tube in the manner described in chapter 3.

Remove the chassis, or the chassis with the chassis frame from the cabinet.

Disconnect all cabling to the picture tube.

Tilt the set so that the front of the picture tube is pointing downwards, taking care that the picture tube comes to rest on a soft and clean surface.

Loosen the four bolt on the picture tube corners and drop the cabinet gently down onto the work surface. The picture tube can now be removed from the cabinet.

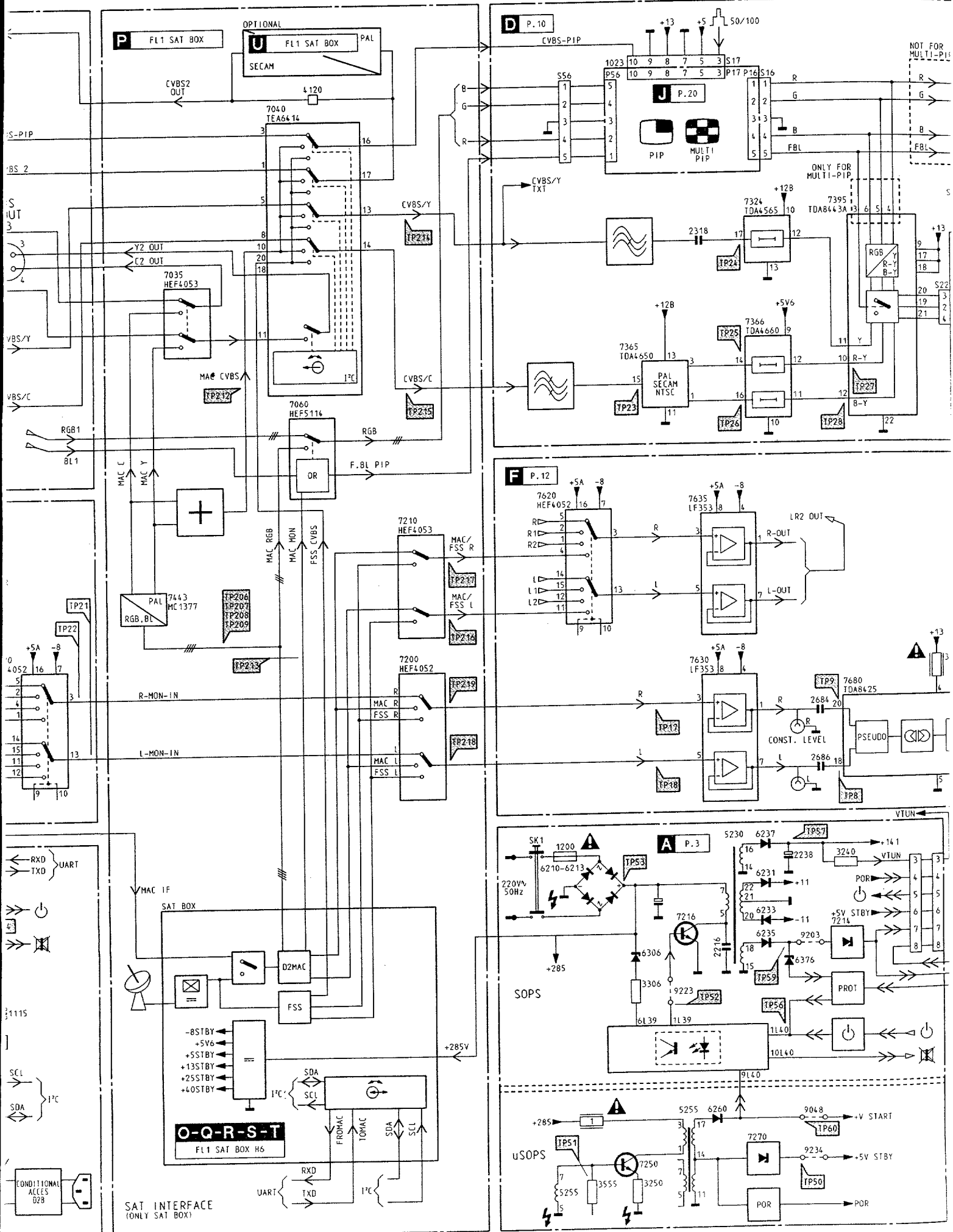
In FL2 special nylon picture tube tubular rivets have been applied. In order to guarantee optimum strength these should not be re-used. Take care to fit correctly when replacing.

Tighten the picture tube screws one-by-one until a torque of approximately 1kgm (10Nm) is achieved. The picture tube tubular rivets are obtainable under code numbers:

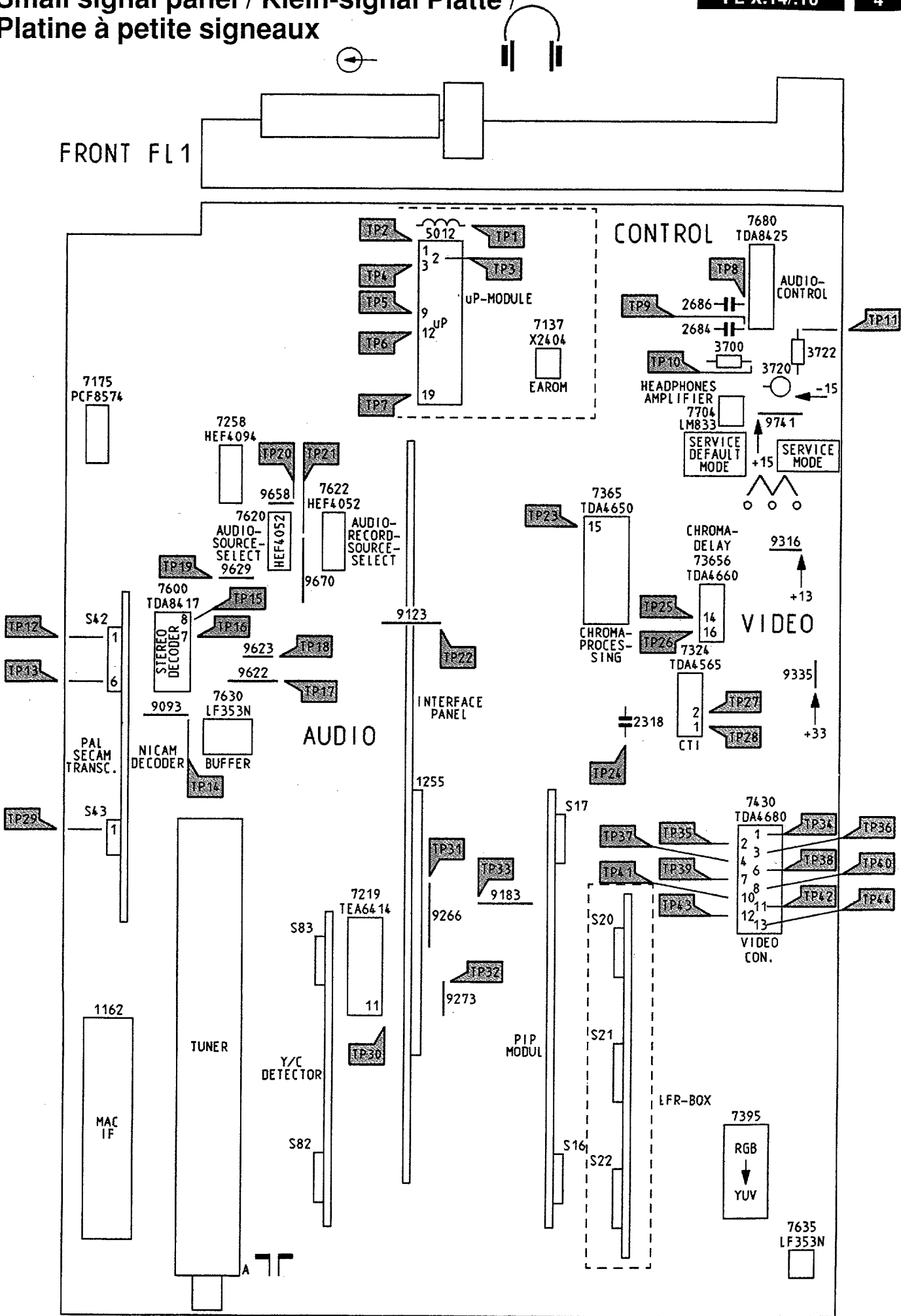
For 28" picture tubes and smaller: 4822 532 12243 (28")

For 29" picture tubes and larger: 4822 404 31294 (28")

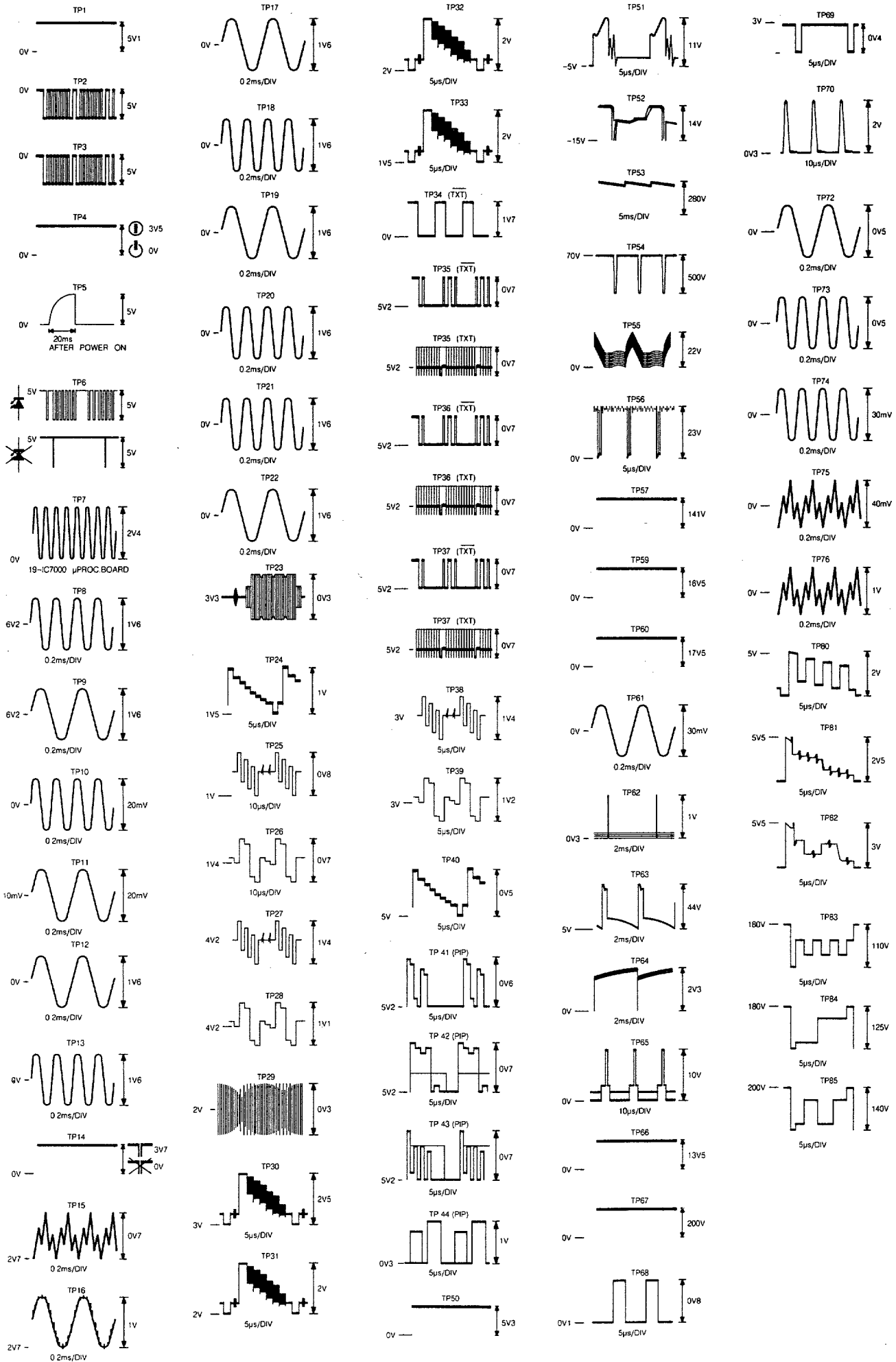
Four tubular rivets are required per picture tube.



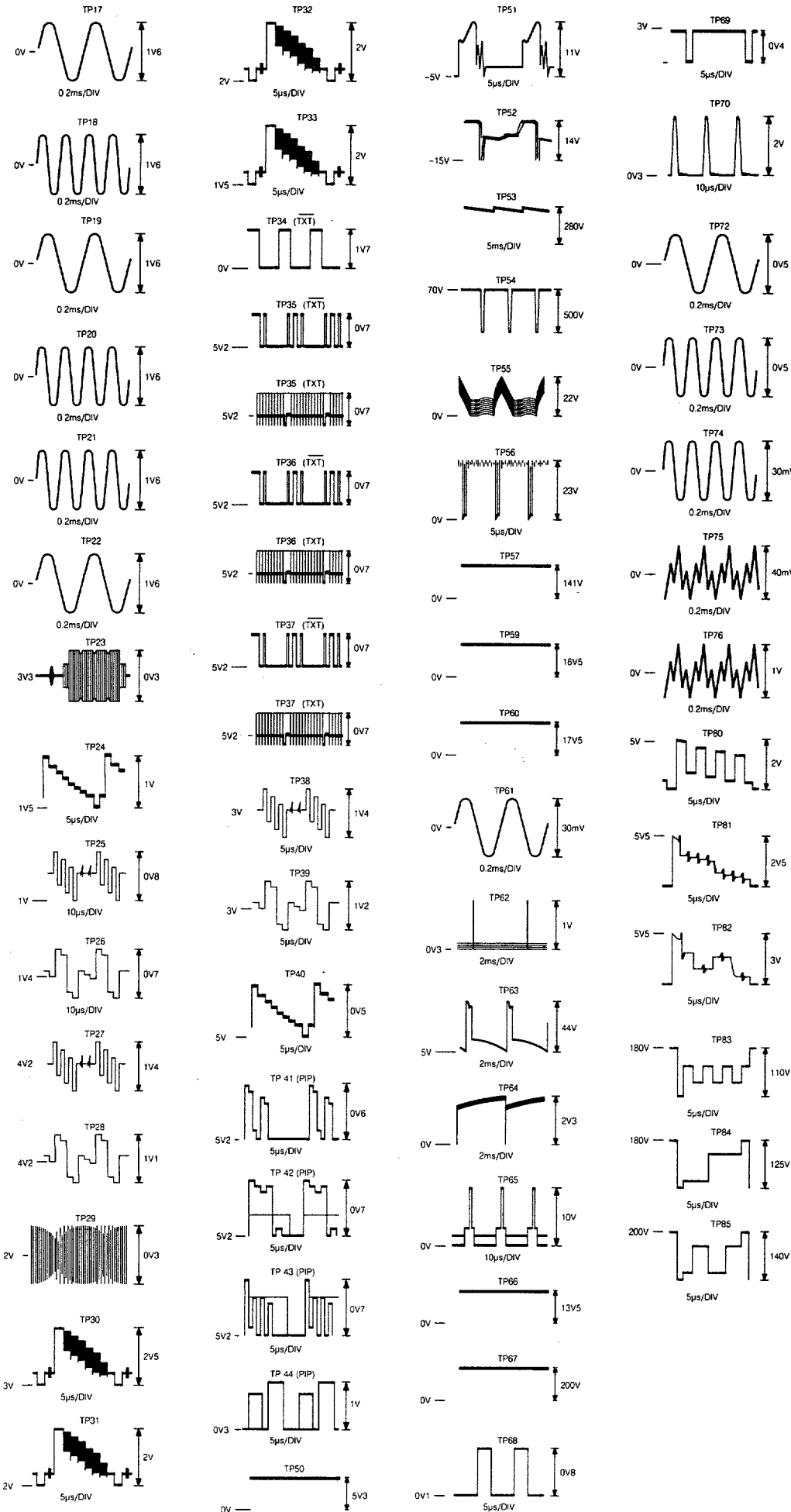
Small signal panel / Klein-signal Platte / Platine à petite signaux



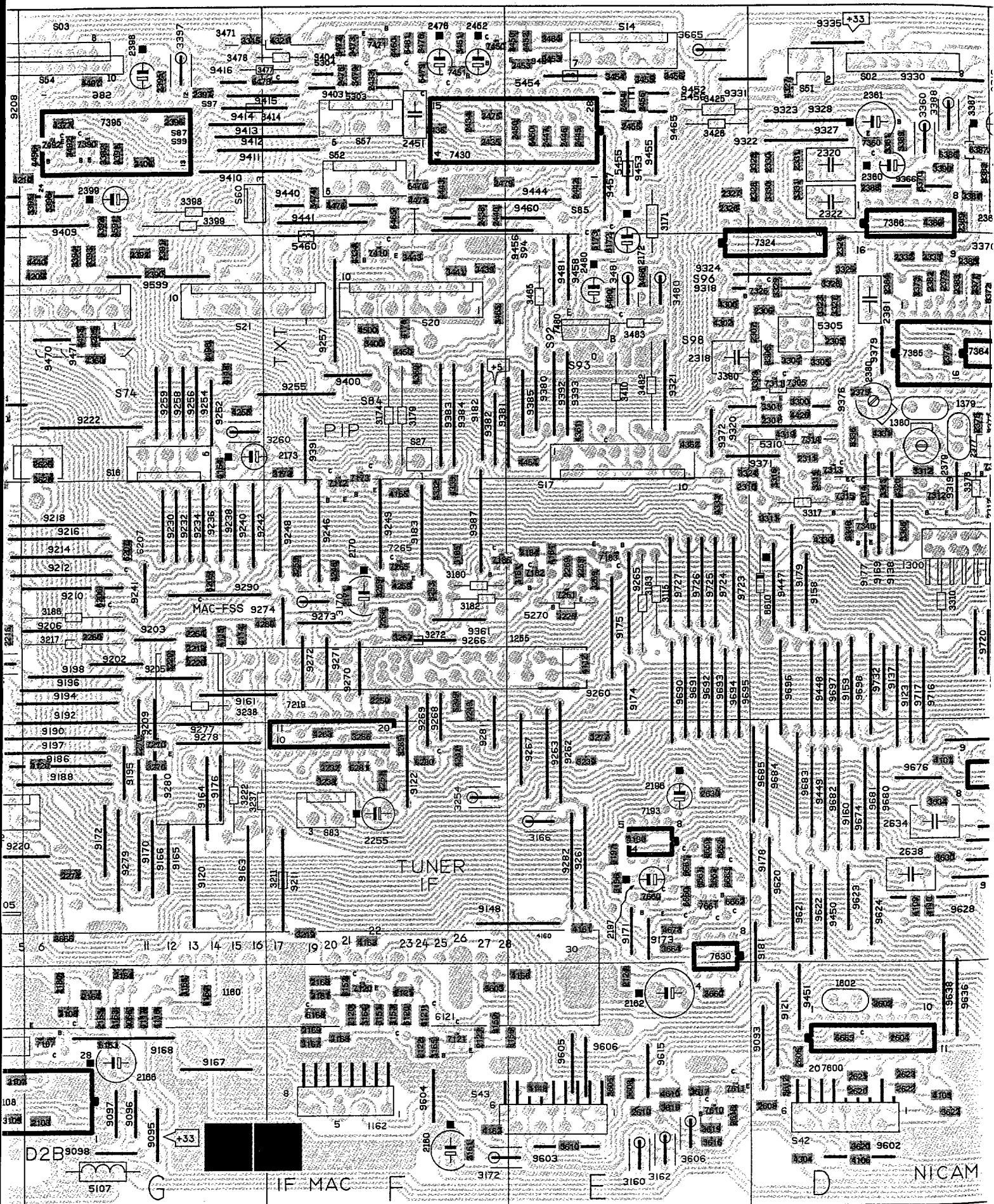
Oscillograms / Oscillogrammes

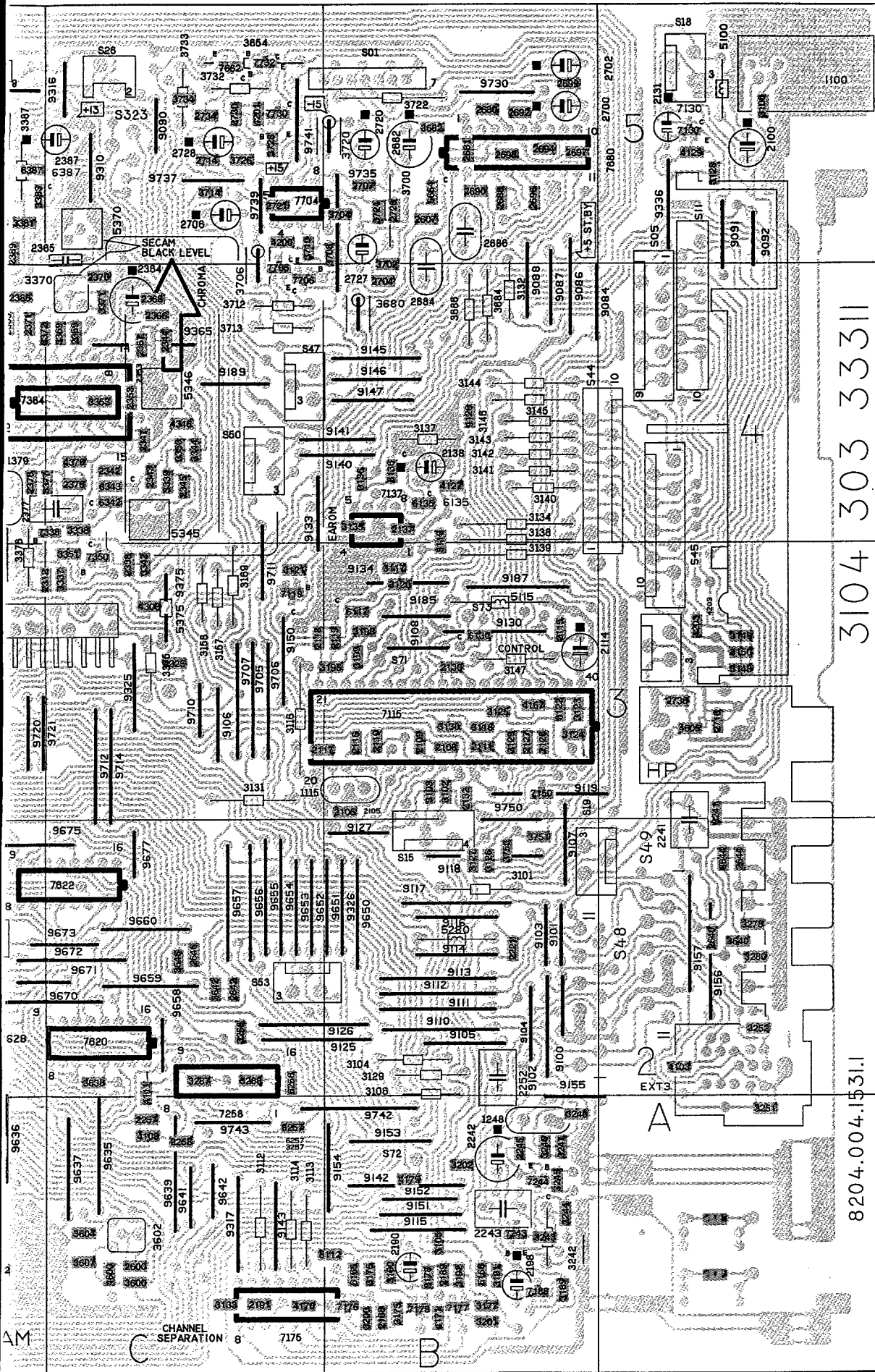


Oscillogrammes



Panel / Klein-signal Platte /





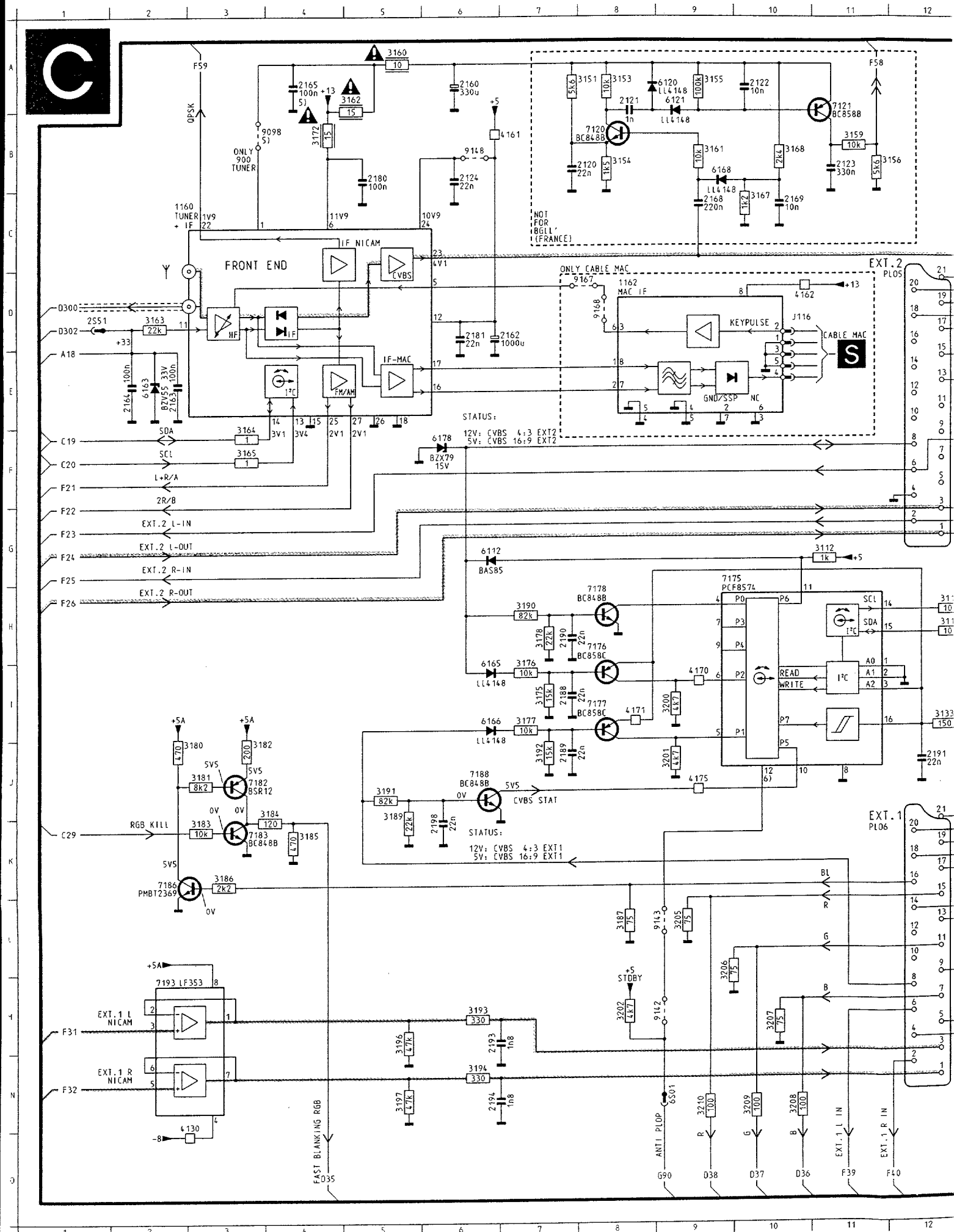
D2B	H1	2250	F3	2636
EXT1	H3	2251	F2	2638
EXT2	H4	2252	B2	2640
EXT3	A3	2253	E3	2642
SVHS	H2	2254	G3	2644
S01	B5	2255	F1	2646
S02	D5	2257	C1	2658
S03	H5	2258	C1	2659
S05	A4	2260	G3	2660
S11	A5	2261	H4	2662
S14	E5	2268	H3	2664
S15	B2	2269	E3	2666
S16	G4	2270	G2	2680
S17	E4	2274	G2	2681
S18	A5	2301	D4	2682
S19	B2	2305	D4	2684
S20	F4	2306	D4	2686
S21	F4	2307	D4	2688
S22	G4	2310	D3	2690
S26	C5	2311	D4	2692
S27	F4	2312	C3	2694
S42	D1	2318	E4	2696
S43	E1	2320	D5	2697
S44	B4	2322	D5	2698
S45	A4	2324	D4	2699
S46	A3	2326	E5	2700
S47	C4	2327	E5	2702
S48	B2	2328	D5	2704
S49	A2	2330	D5	2706
S50	A4	2331	D5	2707
S51	F5	2332	D4	2714
S52	F5	2333	D4	2716
S53	C2	2338	C3	2720
S54	H5	2342	C4	2721
S56	H3	2343	C4	2726
S57	F5	2344	C4	2727
S60	G5	2345	C4	2728
S82	G2	2347	C4	2734
S83	F2	2353	C4	2736
S100	F4	2360	D5	3100
S101	D3	2361	D5	3101
S105	H2	2364	C4	3102
S100	A5	2365	C4	3103
S107	G1	2366	C4	3104
S115	B3	2367	C4	3105
S160	E2	2368	C4	3106
S162	F1	2369	C4	3107
S248	B1	2370	C4	3108
S300	D3	2371	D4	3109
S379	D4	2372	D4	3110
S380	D4	2373	D4	3111
S602	D1	2374	D4	3112
S100	A5	2375	D4	3113
S203	G1	2376	C4	3114
S205	B3	2377	C4	3115
S207	H1	2378	D4	3116
S208	B3	2379	D4	3117
S209	B3	2380	D4	3118
S210	B3	2381	D4	3119
S211	B3	2382	D4	3120
S214	B3	2383	D4	3121
S215	B3	2384	D4	3122
S216	B3	2385	D4	3123
S217	B3	2387	C5	3124
S218	C3	2388	D5	3125
S219	B3	2389	D5	3126
S220	F1	2390	G4	3127
S221	F1	2391	G4	3128
S222	F1	2392	G4	3129
S223	F1	2395	G5	3130
S224	E1	2396	G5	3131
S226	B3	2397	G5	3132
S227	B3	2398	G5	3133
S229	B3	2399	G5	3134
S230	B3	2400	G5	3135
S231	A5	2433	F5	3136
S232	B3	2434	F5	3137
S237	B4	2435	F5	3138
S238	B4	2436	F5	3139
S260	F1	2438	F5	3140
S261	F1	2440	F5	3141
S262	E1	2442	E5	3142
S263	G1	2445	E5	3143
S264	G1	2448	E5	3144
S265	H1	2447	E5	3145
S266	G1	2450	E5	3146
S268	F1	2451	F5	3147
S269	F1	2452	F5	3148
S270	F3	2453	E5	3149
S271	F3	2454	E5	3150
S272	E4	2455	E5	3151
S273	G4	2456	E5	3152
S280	G1	2476	F5	3153
S281	G1	2478	F5	3154
S288	B1	2479	E5	3155
S289	B1	2480	E4	3156
S290	B1	2600	C1	3157
S291	C1	2602	D1	3158
S293	H4	2604	D1	3159
S294	H4	2606	D1	3160
S296	E2	2607	B5	3161
S297	E2	2608	D1	3162
S298	B1	2610	E1	3163
S216	H3	2620	D1	3164
S219	G3	2621	D1	3165
S220	G3	2622	D1	3166
S221	B2	2623	D1	3167
S224	H2	2624	H4	3168
S224	H3	2626	G4	3169
S241	A2	2627	H5	3170
S242	B1	2628	H4	3171
S243	B1	2630	E2	3172
S245	B1	2632	H4	3173
S249	F3	2634	D2	3174

3104 303 33311

8204.004.1531.

Platine à petites signaux

H1	2250	F3	2636	H4	3175	B1	3329	D4	3682	B5	4591	G5	7390	G5	9186	G2	9414	G5
H3	2251	F2	2638	H2	3176	B1	3330	D5	3684	B4	4600	C1	7395	G5	9187	B3	9415	F5
H4	2252	B2	2640	A2	3177	B1	3331	D5	3686	B4	4605	A3	7410	F4	9188	G2	9416	F5
A3	2253	G3	2642	C2	3178	B1	3332	D4	3700	B5	4610	E1	7430	E5	9189	C4	9440	F5
H2	2254	G3	2644	A2	3179	F4	3337	C3	3702	B4	4672	H5	7450	F5	9190	G2	9441	F5
B5	2255	F2	2646	C2	3180	F3	3338	C4	3704	B5	4673	E2	7451	F5	9192	G2	9444	E5
D5	2257	C1	2658	H5	3181	E3	3339	C4	3706	C4	5100	A5	7471	F5	9194	G3	9447	D3
H5	2258	C1	2659	H5	3182	F3	3342	C3	3708	B5	5107	G1	7480	E4	9195	G2	9448	D3
A4	2260	G3	2660	H2	3183	E3	3344	C4	3710	C5	5115	B3	7492	G5	9196	G3	9449	D2
A5	2261	H4	2662	H2	3184	E3	3345	G5	3712	C4	5270	E3	7600	D1	9197	G2	9450	D2
E5	2268	H3	2664	H5	3185	F3	3346	D3	3713	C4	5280	B2	7610	E1	9198	G3	9451	D1
B2	2269	G3	2666	H5	3186	G3	3350	C4	3714	C5	5303	F5	7611	E1	9200	H3	9452	E5
G4	2270	E2	2680	B5	3187	H3	3351	C3	3720	B5	5304	F5	7620	C2	9202	G3	9453	E5
E4	2274	G2	2681	B5	3189	B1	3353	C4	3722	B5	5305	D4	7622	C2	9203	G3	9454	E5
A5	2301	D4	2682	B5	3190	B1	3360	D5	3724	B5	5310	D4	7630	E1	9205	G3	9455	E5
B2	2305	D4	2684	B4	3191	B1	3361	D5	3726	C5	5345	C4	7635	H5	9206	G3	9456	F4
F4	2306	D4	2686	B5	3192	B1	3365	D3	3728	C5	5346	C4	7660	E2	9208	H5	9457	E5
F4	2307	D4	2688	B5	3193	H3	3369	C4	3730	C5	5370	C5	7661	E2	9209	G2	9458	E4
G4	2310	D3	2690	B5	3194	H3	3370	C4	3732	C5	5375	C3	7662	C5	9210	G3	9460	F5
C5	2311	D4	2692	B5	3195	B3	3371	C4	3733	C5	5454	E5	7680	B5	9211	F2	9465	E5
F4	2312	C3	2694	B5	3196	E2	3372	C4	3734	C5	5455	E5	7704	C5	9212	G3	9466	E4
D1	2318	E4	2696	B5	3197	E2	3375	C3	3750	B2	5456	E5	7706	C4	9214	G3	9470	G4
E1	2320	D5	2697	B5	3198	B3	3376	D3	3751	B2	5460	F4	7708	C4	9216	G3	9471	G4
B4	2322	D5	2698	B5	3199	B3	3377	C4	3996	A1	6107	H1	7730	C5	9218	G3	9481	E4
A4	2324	D4	2699	B5	3200	B1	3380	D4	3997	A1	6108	H1	7732	C5	9220	G2	9599	G4
A3	2326	E5	2700	B5	3201	B1	3381	D5	3998	A1	6112	B1	9084	B4	9221	H2	9602	D1
C4	2327	E5	2702	B5	3202	B1	3382	G5	3999	A1	6117	B3	9086	B4	9222	G4	9603	E1
B2	2328	D5	2704	B4	3205	H3	3383	D5	4066	G1	6120	F1	9087	B4	9230	G3	9604	F1
A2	2330	D5	2706	C5	3208	H3	3387	D5	4103	A2	6121	F1	9088	B4	9232	G3	9605	E1
C4	2331	D5	2707	B5	3207	H3	3388	D5	4105	D1	6130	B3	9089	G2	9234	G3	9606	E1
D5	2332	D4	2714	C5	3208	H3	3389	D5	4106	D1	6135	B4	9090	C5	9236	G3	9615	E1
F5	2333	D4	2716	A3	3209	H3	3390	D5	4107	D2	6136	B4	9091	A5	9238	G3	9620	D2
C2	2338	C3	2720	B5	3210	H3	3391	G5	4108	C1	6163	G1	9092	A5	9240	G3	9621	D2
H5	2342	C4	2721	C5	3211	F2	3392	G5	4109	D2	6165	B1	9093	D1	9241	G3	9622	D2
H3	2343	C4	2726	B5	3215	H3	3393	G4	4110	D2	6166	B1	9095	G1	9242	G3	9623	D2
F5	2344	C4	2727	B5	3216	H3	3394	G4	4111	C2	6168	F1	9096	G1	9246	F3	9624	D2
G5	2345	C4	2728	C5	3217	G3	3395	G5	4112	E3	6172	E4	9097	G1	9248	F3	9628	D2
G2	2347	C4	2734	C5	3218	H3	3396	G5	4114	G3	6173	E4	9098	G1	9249	F3	9635	C1
F2	2353	C4	2736	A3	3219	F2	3397	G5	4115	G3	6178	H4	9100	B2	9250	H5	9636	D1
F4	2360	D5	3100	A5	3220	G3	3398	G5	4116	G1	6205	G3	9101	B2	9252	G4	9637	C1
D3	2361	D5	3101	B2	3222	G2	3399	G5	4117	G1	6206	G3	9102	B2	9254	G4	9638	D1
H2	2364	C4	3102	B3	3224	H4	3400	F4	4118	G4	6207	G3	9103	B2	9255	F4	9639	C1
A5	2365	C4	3103	B3	3225	E3	3410	E4	4120	G2	6256	C2	9104	B2	9256	G4	9641	C1
G1	2366	C4	3104	B2	3232	F2	3414	G5	4126	B4	6257	C1	9105	B2	9257	F4	9642	C1
B3	2367	C4	3105	B1	3233	F2	3425	E5	4127	B4	6280	F2	9106	C3	9258	G4	9650	B2
E2	2368	C4	3106	B2	3234	H2	3426	E5	4129	A5	6281	F2	9107	B2	9259	G4	9651	B2
F1	2369	C4	3107	H1	3235	H2	3439	F4	4130	E2	6342	C4	9108	B3	9260	E3	9652	C2
B1	2370	C4	3108	G1	3237	G2	3441	F4	4148	E1	6343	C4	9109	H2	9261	E2	9653	C2
D3	2371	D4	3109	H1	3238	G3	3443	F4	4161	E2	6345	E4	9110	B2	9262	E2	9654	C2
D4	2372	D4	3110	H1	3239	E2	3445	E5	4162	F1	6370	D5	9111	B2	9263	E2	9655	C2
D4	2373	D4	3111	H1	3240	H3	3451	F5	4163	F2	6386	D5	9112	B2	9264	H4	9656	C2
D1	2374	D4	3112	C1	3241	A3	3453	E5	4164	G4	6387	D5	9113	B2	9265	E3	9657	C2
A5	2375	D4	3113	C1	3242	B1	3454	E5	4165	F3	6450	E5	9114	B2	9266	F3	9658	C2
G1	2376	C4	3114	C1	3243	B1	3455	E5	4166	E1	6465	F5	9115	B1	9267	E2	9659	C2
B3	2377	C4	3115	E3	3244	B1	3456	E5	4167	B3	6470	F5	9116	B2	9268	F3	9660	C2
H1	2378	D4	3116	C3	3245	B1	3465	F4	4170	C1	6471	F5	9117	B2	9269	F2	9670	C2
B3	2379	D4	3117	B3	3246	B1	3466	E4	4171	B1	6478	F5	9118	B2	9270	F3	9671	C2
B3	2380	D4	3118	B3	3247	B1	3471	F5	4175	B1	6479	F5	9119	B3	9271	F3	9672	C2
B3	2381	D4	3119	B3	3248	B1	3472	F5	4176	F4	6480	E4	9120	G2	9272	F3	9673	D2
B3	2382	D4	3120	B3	3249	F3	3473	F5	4184	E3	6481	F5	9121	D1	9273	F3	9674	C2
B3	2383	D4	3121	C3	3251	A1	3474	F5	4200	C5	6610	D3	9122	F2	9274	F3	9675	D2
B3	2384	D4	3122	B3	3252	A2	3475	F5	4201	C5	6611	D3	9123	D3	9277	G2	9676	D2
B3	2385	D4	3123	B3	3253	F3	3476	F5	4203	A3	6660	E2	9125	C2	9278	G2	9677	C2
B3	2387	C5	3124	B3	3254	F2	3477	F5	4205	G4	6661	E2	9126	C2	9279	G2	9680	D2
C3	2388	D5	3125	B3	3255	F3	3478	F5	4209	G4	6662	E2	9127	B2	9280	G2	9681	D2
B3	2389	D5	3126	B2	3256	C2	3479	F5	4210	G5	6663	E2	9130	B3	9281	F2	9682	D2
F1	2390	G4	3127	B2	3257	C1	3480	E4	4220	H4	6664	B5	9131	G2	9282	E2	9683	D2
F1	2391	G4	3128	A5	3259	F3	3481	E4	4234	H2	6665	D1	9132	F2	9290	G3	9684	D2
F1	2392	G4	3129	B2	3260	G4	3482	E4	4235	H2	7107	G1	9133	C4	9310	C5	9685	D2
F1	2395	G5	3130	B3	3261	H4	3483	E4	4236	H2	7108	G1	9134	B3	9316	C5	9690	E3
E1	2396	G5	3131	C3	3262	H4	3484	E5	4237	H2	7115	B3	9137	D3	9317	C1	9691	E3
B3	2397	G5	3132	B4	3263	H4	3492	G5	4241	F2	7119	C3	9138	D3	9318	D4	9692	E3
B3	2398	G5	3133	C1	3264	H4	3600	C1	4246	F3	7120	F1	9140	B4	9319	D3	9693	E3
B3	2399	G5	3134	B4	3265	H2	3602	C1	4255	G4	7121	F1	9141	B4	9320	D4	9694	E3
B3	2400	G5	3135	B4	3266	F3	3603	F1	4259	F3	7130	A5	9142	B1	9321	E4	9695	E3
A5	2433	F5	3136	B4	3267	F3	3604	C1	4263	F2	7137	B3	9143	C1	9322	D5	9696	D3
B3	2434	F5	3137	B4	3268	H2	3605	E1	4280	F3	7150	B3	9145	B4	9323	D5	9697	D3
B4	2435	F5	3138	B3	3269	E3	3606	E1	4300	E4	7172	F3	9146	B4	9324	D4	9698	D3
B4	2436	F5	3139	B3	3270	G2	3607	C1	4302	E4	7173	F3	9147	B4	9325	C3	9705	C3
F1	2438	F5	3140	B4	3271	H2	3608	E1	4304	D1	7175	B1	9148	E2	9326	B2	9706	C3
F1	2440	F5	3141	B4	3272	F3	3610	E1	4306	C3	7176	B1	9150	C3	9327	D5	9707	C3
E1	2442	E5	3142	B4	3273	H3	3612	D1	4319	D4	7177	B1	9151	B1	9328	D5	9710	C3
G1	2445	E5	3143	B4	3274	H3	3615	E1	4320	D3	7178	B1	9152	B1	9330	D5	9711	C3
G1	2446	E5	3144	B4	3275	H3	3616	E1	4321	F5	7182	E3	9153	B1	9331	E5	9712	C3
H1																		

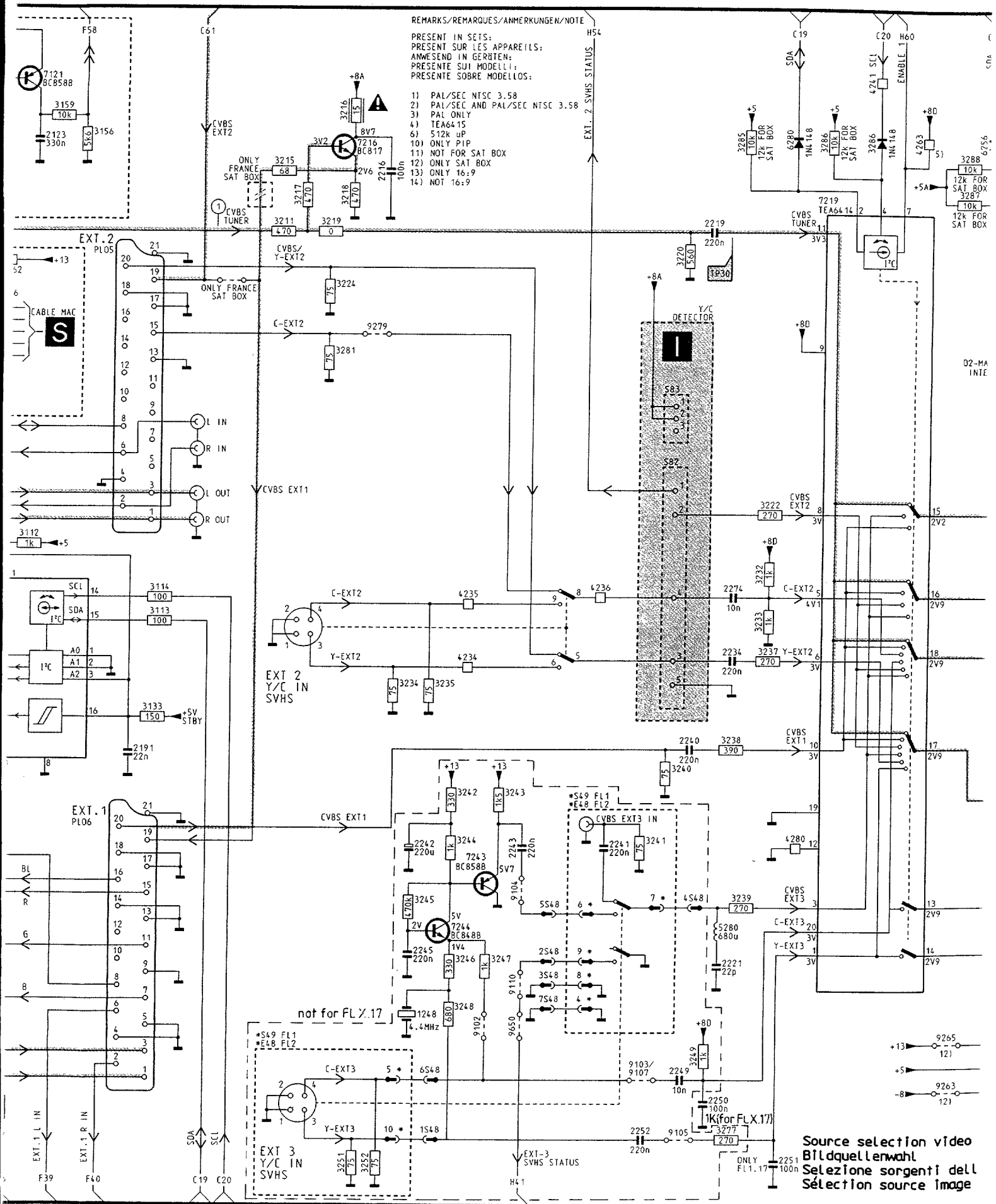


Sélection de source

REMARKS/REMARQUES/ANMERKUNGEN/NOTE

PRESENT IN SETS:
 PRESENT SUR LES APPAREILS:
 ANWESSENT IN GERÄTEN:
 PRESENTE SUI MODELLI:
 PRESENTE SOBRE MODELOS:

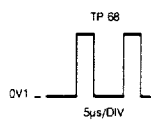
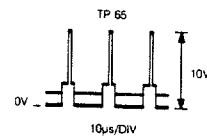
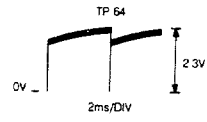
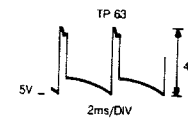
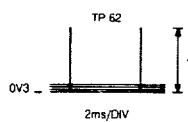
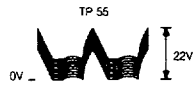
- 1) PAL/SEC NTSC 3.58
- 2) PAL/SEC AND PAL/SEC NTSC 3.58
- 3) PAL ONLY
- 4) TEA6415
- 6) 512k uP
- 10) ONLY PIP
- 11) NOT FOR SAT BOX
- 12) ONLY SAT BOX
- 13) ONLY 16:9
- 14) NOT 16:9



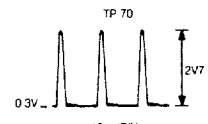
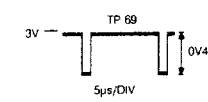
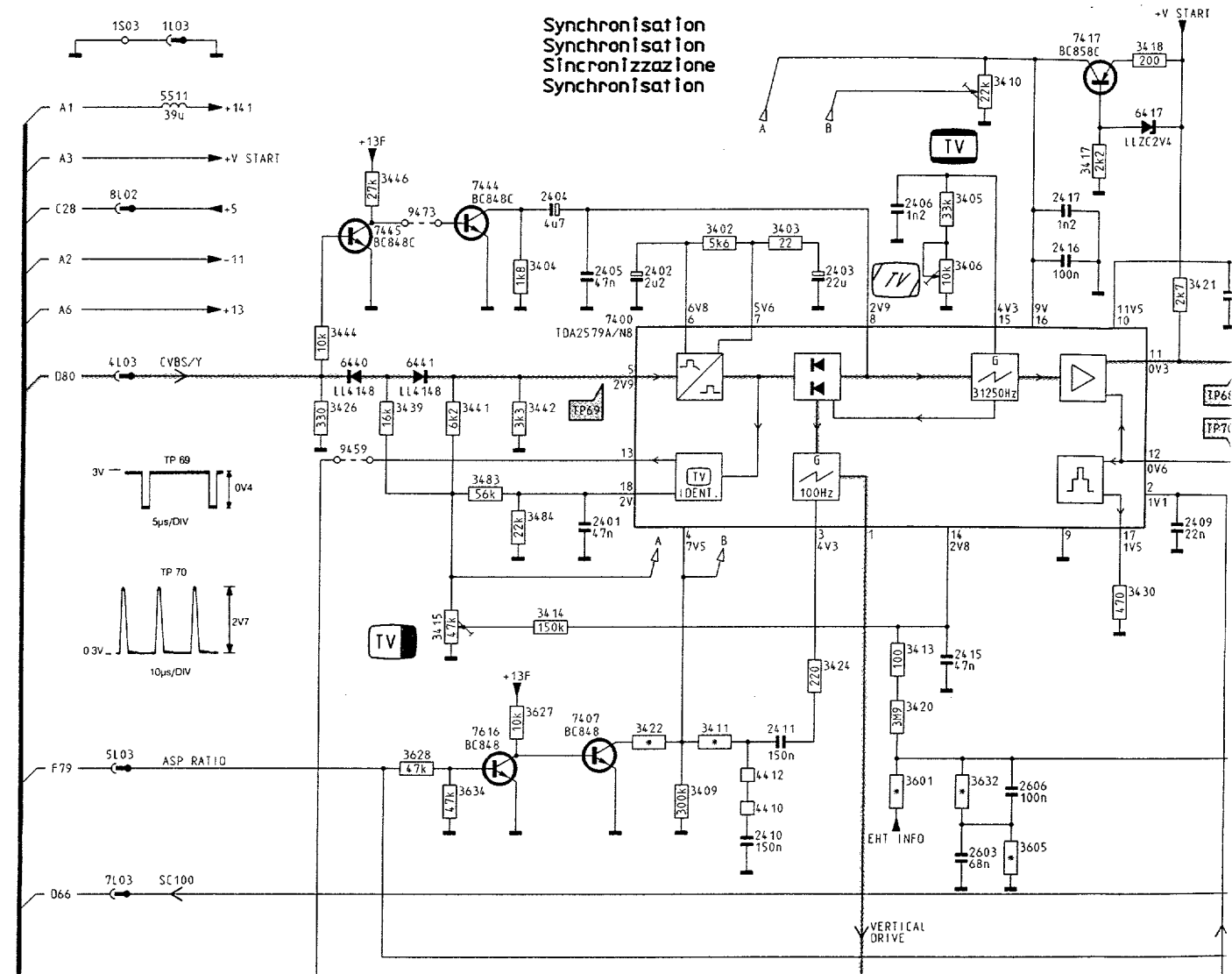
Source selection video
 Bildquellenwahl
 Selezione sorgenti dell'
 Sélection source Image

Synchronization / Synchronisierung /

B

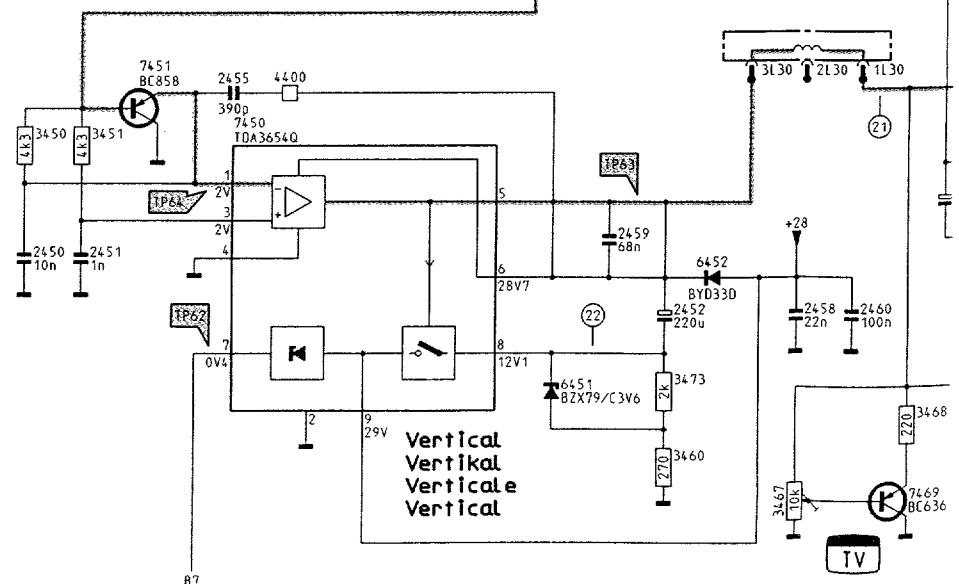


Synchronisation
Synchronisation
Sincronizzazione
Synchronisation

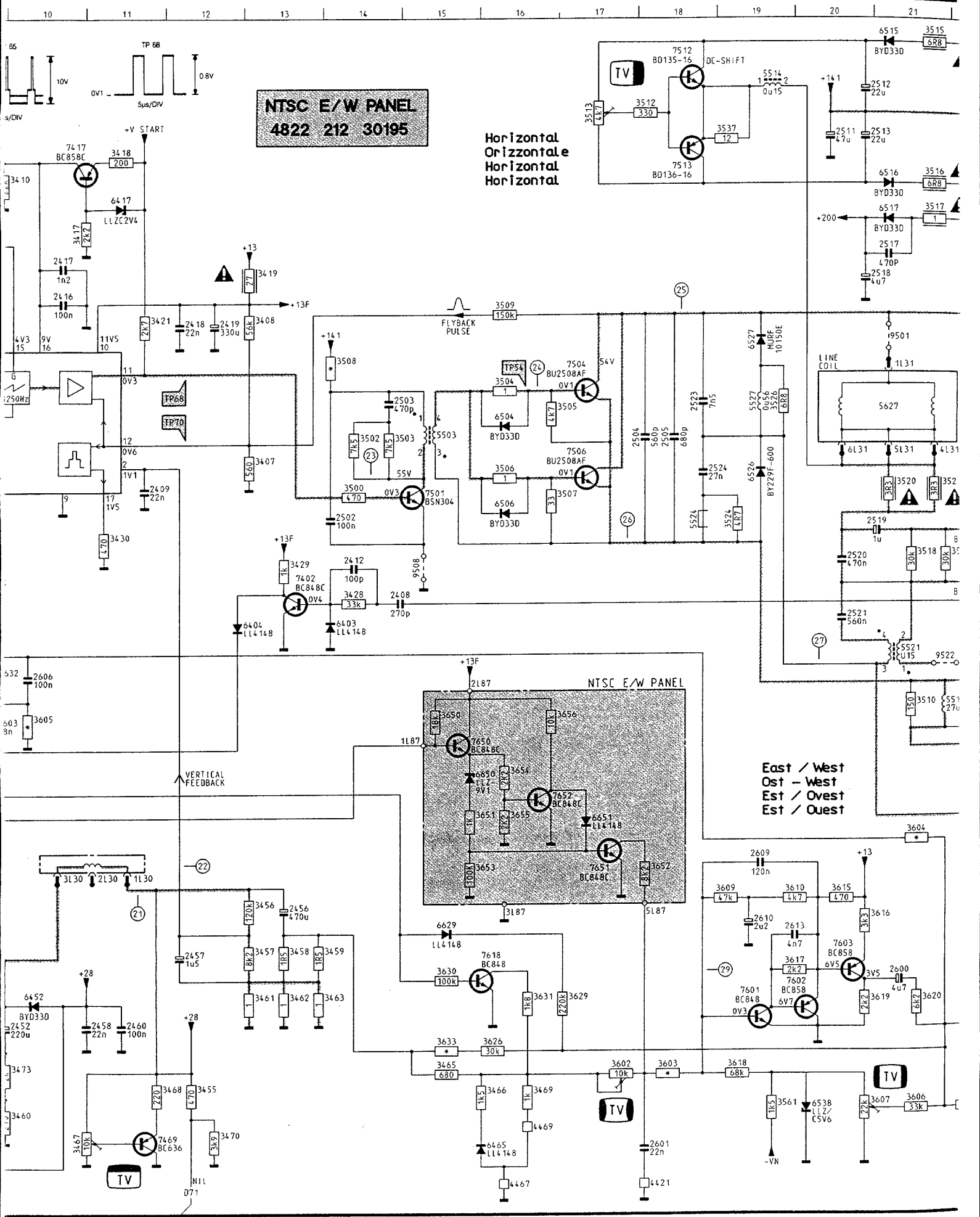


REMARKS/REMARQUES/ANMERKUNGEN/NOTE

*	25"	28"	33"
2456	470u	470u	680u
2504	560p	560p	470p
2505	680p	680p	560p
2524	27n	27n	30n
2603	68n	47n	100n
2606	-	-	100n
3411	100k	91k	120k
3422	1M2	1M2	1M5
3456	120k	120k	130k
3457	8k2	8k2	9k1
3466	1k5	2k7	4k3
3469	1k	2k7	4k3
3505	33	33	4k7
3507	33	33	47
3508	1k8	1k5	1k5
3601	100k	150k	150k
3603	12k	12k	9k10
3604	160k	180k	180k
3605	13k	24k	24k
3622	100	100	15k
3626	270k	130k	270k
3632	100	15k	15k
3633	100k	200k	200k



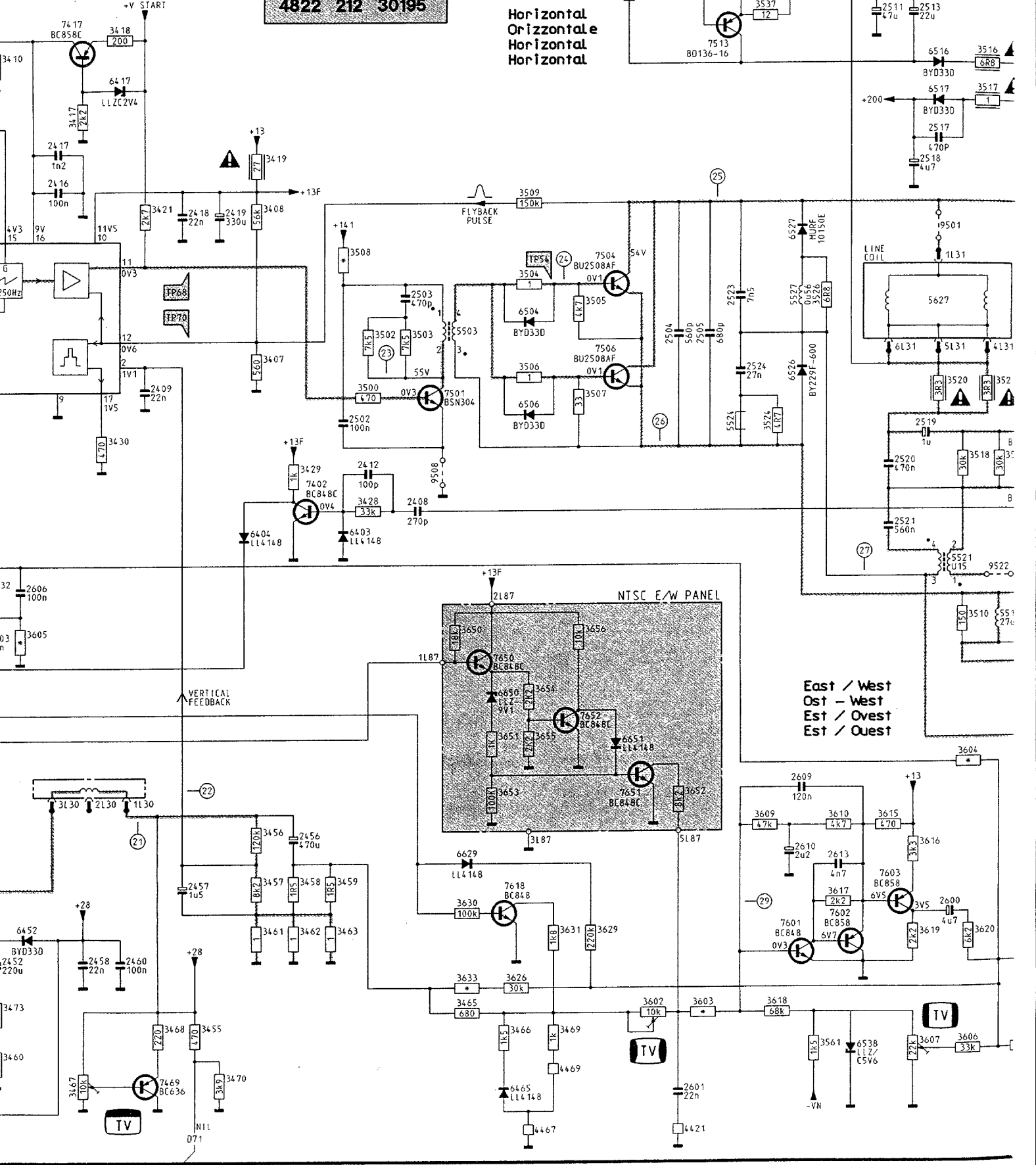
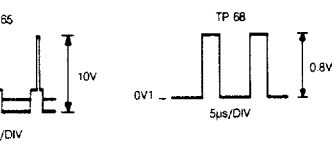
Vertical
Vertical
Vertical
Vertical



NTSC E/W PANEL
4822 212 30195

Horizontal
Orizzontale
Horizontal
Horizontal

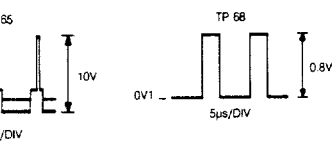
East / West
Est - West
Est / Ovest
Est / Ouest



NTSC E/W PANEL
4822 212 30195

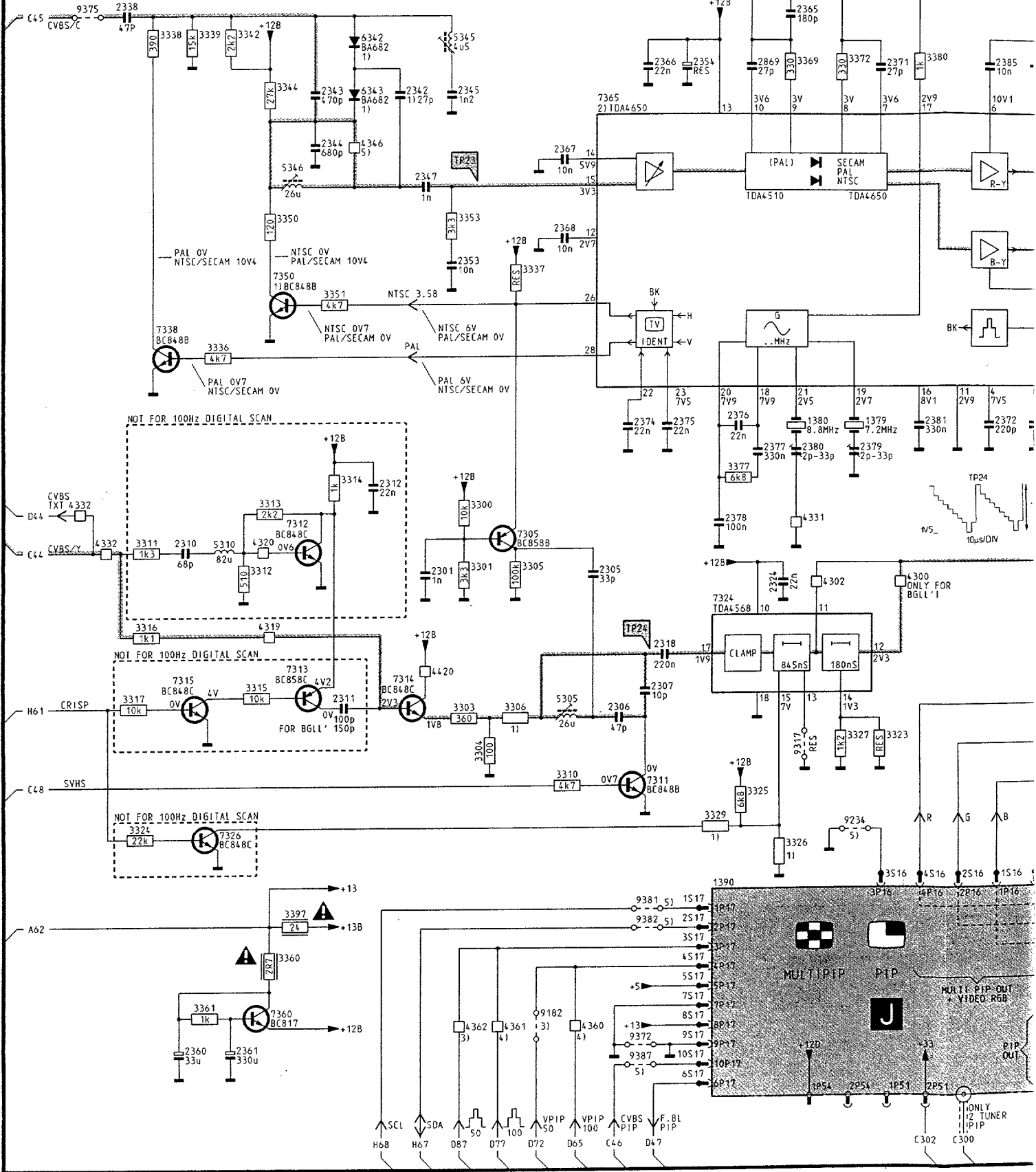
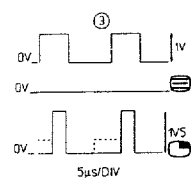
Horizontal
Orizzontale
Horizontal
Horizontal

East / West
Est - West
Est / Ovest
Est / Ouest



D

Chrominance processing
Chrominanz-Prozessor
Traitement chrominance



NOT FOR 100Hz DIGITAL SCAN

NOT FOR 100Hz DIGITAL SCAN

NOT FOR 100Hz DIGITAL SCAN

ONLY FOR BGLL '1

MULTI PIP PTP

MULTI PIP OUT + VIDEO RGB

PIP OUT

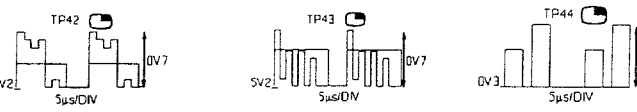
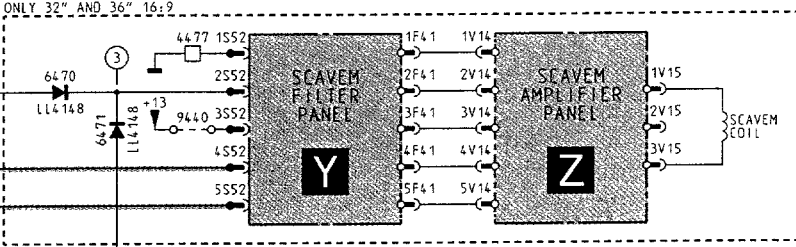
ONLY IZ TUNER PIP



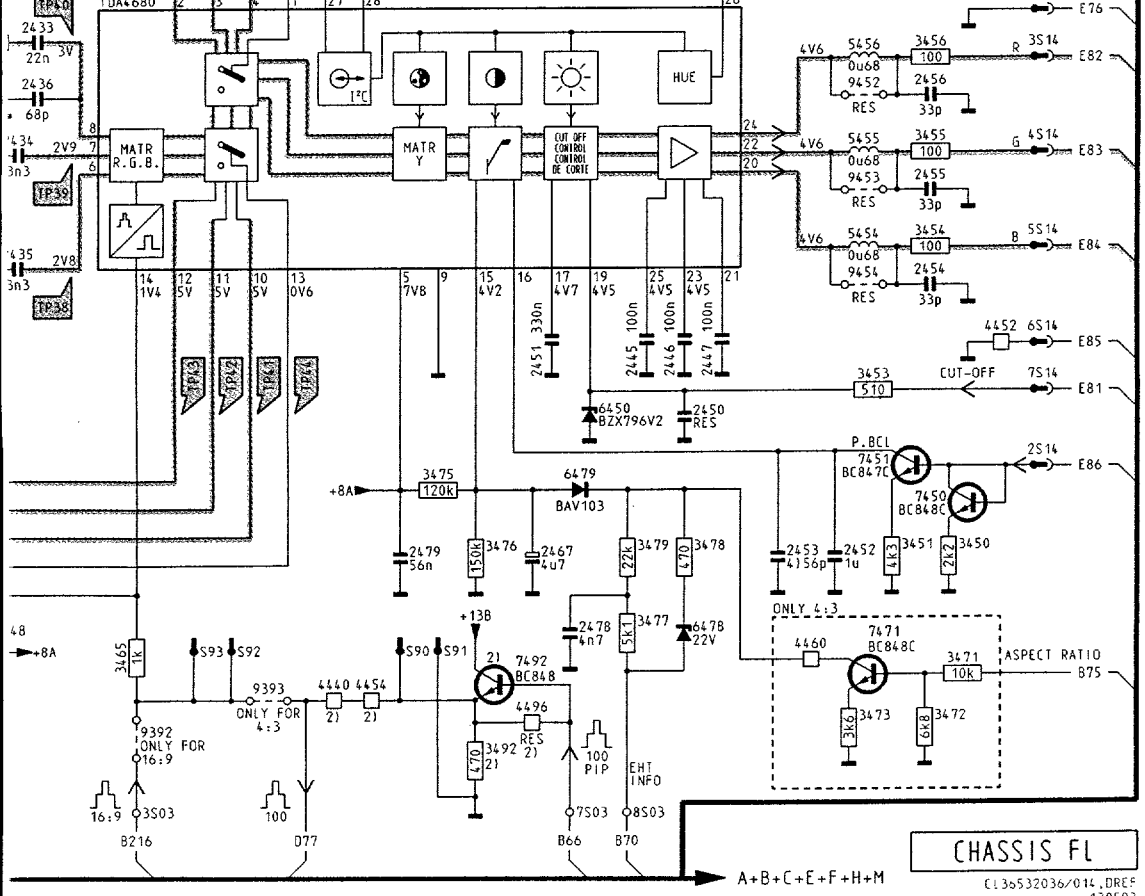
FL 1.17		FL 1.16		FL 1.14			
100Hz	100Hz	100Hz	100Hz	NO NSAT	LFR	LFR	SAT
BGLM	LL'1	BGLM	LL'1	BGLM	LL'1	BGLM	LL'1
3306	220	240	360	360	360	360	360
3326	---	10K	3K3	10K	---	---	3K3
3329	3K9	1	---	---	---	---	10K

FL 1.17	FL 1.14	FL 1.14	FL 1.16
4440/4454	MULTI PIP	PIP	---
4496	4440/4454	---	4496
7492	7492	---	4440/4454
3492	3492	---	---

- 3) MULTIPIP
- 4) PIP
- 5) ONLY PIP
- 6) NOT PIP
- 8) NOT FOR DIGITAL SCAN
- 9) ONLY FOR DIGITAL SCAN



**Video control
Video-Controller
Controllo video
Comande image**



CHASSIS FL

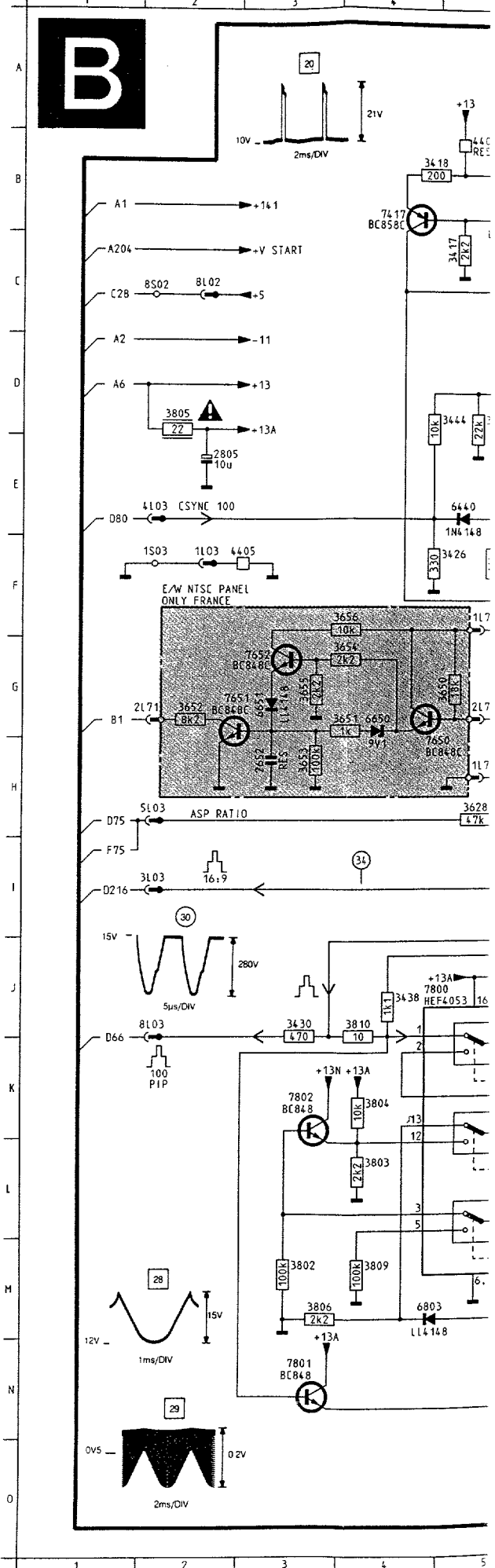
CL 30532036/014_DREF 130593

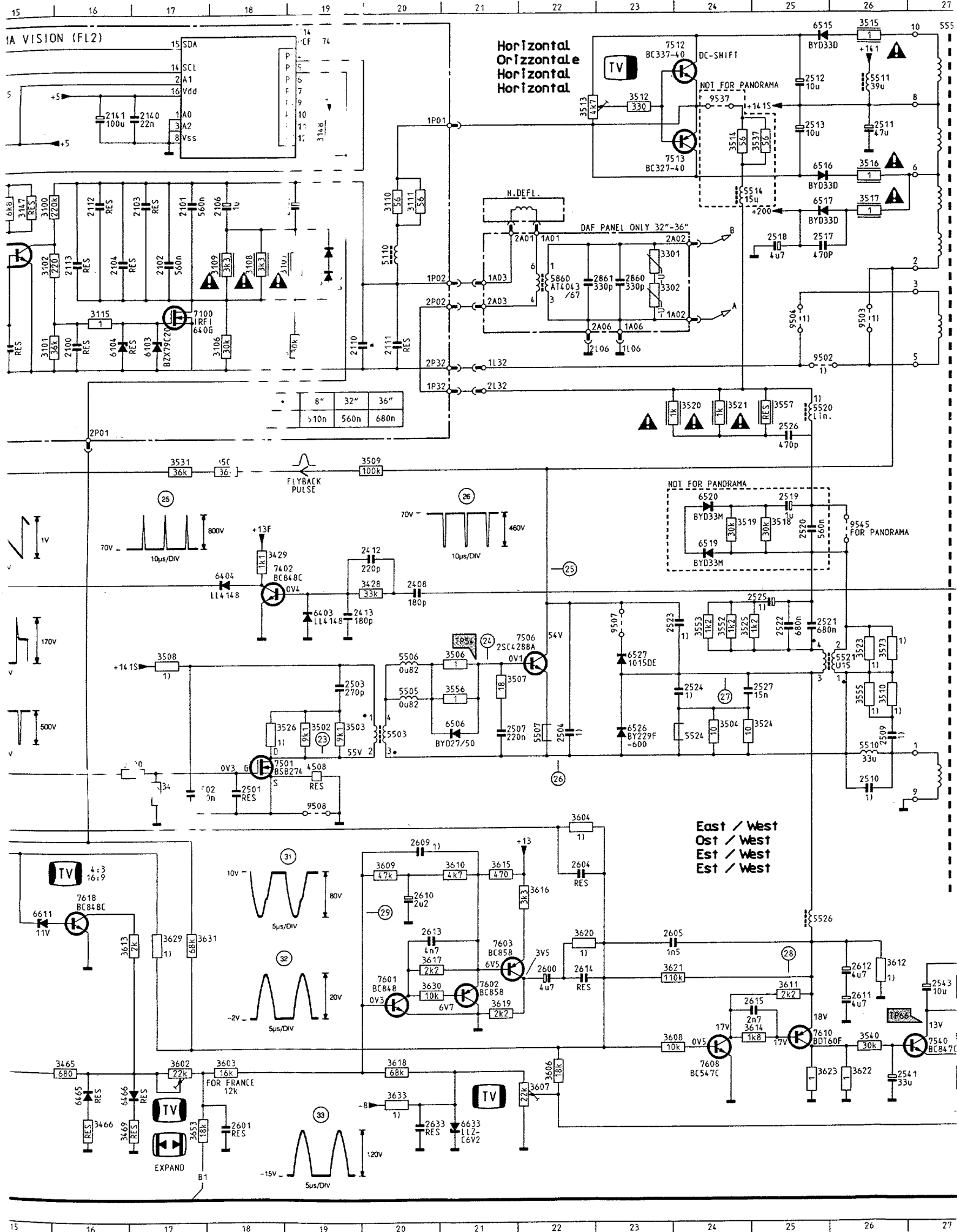
1379	G10	3388	B16	9084	B21
1380	G10	3389	F13	9182	N 7
1390	L 9	3390	G13	9210	M15
1420	B19	3391	I13	9230	L14
2301	I 5	3392	J18	9232	L14
2305	I 7	3393	J18	9234	K10
2306	J 8	3394	K18	9236	L14
2307	J 8	3395	I13	9238	M16
2310	H 3	3396	J13	9252	L16
2311	J 4	3397	L 4	9254	K13
2312	H 5	3398	M17	9317	K10
2318	I 8	3399	M17	9327	G17
2324	I 9	3400	B21	9328	M17
2338	B 2	3410	G29	9372	N 8
2342	C 5	3425	H24	9375	B 1
2343	C 4	3426	H24	9380	H29
2344	D 4	3439	H21	9381	L 8
2345	C 6	3441	H22	9382	M 8
2347	D 5	3443	H22	9387	N 8
2353	E 6	3450	M29	9392	N23
2354	C 8	3451	M29	9393	N24
2360	N 3	3453	K28	9400	E21
2361	N 3	3454	J29	9403	K21
2365	B10	3455	J29	9404	J21
2366	C 8	3456	I29	9440	D25
2367	D 7	3465	N22	9441	B23
2368	E 7	3471	N29	9452	I28
2371	C11	3472	N29	9453	J28
2372	G12	3473	N28	9454	K28
2373	G12	3474	I21	9456	G26
2374	G 8	3475	L25	9457	H28
2375	G 8	3476	M25	9458	G26
2376	G 9	3477	M26		
2377	G 9	3478	M27		
2378	H 9	3479	M29		
2379	G10	3480	M19		
2380	G10	3481	M20		
2381	G11	3482	N19		
2382	E13	3483	N20		
2383	E13	3492	N25		
2384	D13	3882	J14		
2385	C12	4118	L15		
2387	C16	4164	M16		
2388	C15	4205	C13		
2389	G14	4210	B17		
2390	J15	4300	I11		
2391	J15	4302	I10		
2392	K15	4319	I 4		
2395	I17	4320	H 3		
2396	I16	4331	H10		
2397	I17	4332	H 2		
2398	I18	4332	H 1		
2399	I18	4346	D 5		
2400	I18	4360	N 7		
2433	I22	4361	N 6		
2434	J22	4362	N 6		
2435	J22	4377	K18		
2436	I22	4386	B15		
2438	G22	4420	J 5		
2440	G22	4440	N24		
2442	H22	4443	O18		
2445	K26	4450	C22		
2446	K27	4452	K29		
2447	K27	4453	B18		
2450	L27	4454	N24		
2451	K26	4460	N28		
2452	M28	4476	I21		
2453	M28	4477	D25		
2454	K29	4496	B26		
2455	J29	4500	B21		
2456	I29	4661	C14		
2457	M26	5303	K21		
2478	M26	5304	J21		
2479	M25	5305	J 7		
2480	N19	5310	H 3		
2869	C 9	5345	C 6		
3300	H 6	5346	D 4		
3301	H 6	5370	B10		
3303	J 6	5454	J28		
3304	K 6	5455	J28		
3305	H 6	5456	I28		
3306	J 6	6205	M15		
3310	K 7	6206	M15		
3311	H 2	6207	M15		
3312	H 3	6342	C 5		
3313	H 4	6343	C 5		
3314	G 4	6385	F13		
3315	J 3	6387	C17		
3316	I 2	6450	L26		
3317	J 2	6470	D24		
3323	J11	6471	E25		
3324	K 2	6478	M27		
3325	K 9	6479	N26		
3326	L 9	6480	L20		
3327	J10	6485	M21		
3329	K 9	7305	H 6		
3336	F 3	7311	K 8		
3337	E 6	7312	H 4		
3338	B 2	7313	J 4		
3339	B 3	7314	J 5		
3342	B 3	7315	J 3		
3344	C 4	7324	I 9		
3350	D 4	7326	L 3		
3351	E 4	7338	F 2		
3353	D 6	7350	E 4		
3360	M 4	7360	N 4		
3361	N 3	7365	C 7		
3369	C10	7390	I13		
3370	B10	7395	I15		
3371	A10	7410	G25		
3372	C10	7430	H22		
3377	G 9	7450	L29		
3380	C11	7451	L28		
3381	G14	7471	M28		
3383	F13	7480	N21		
3387	B16	7492	N26		

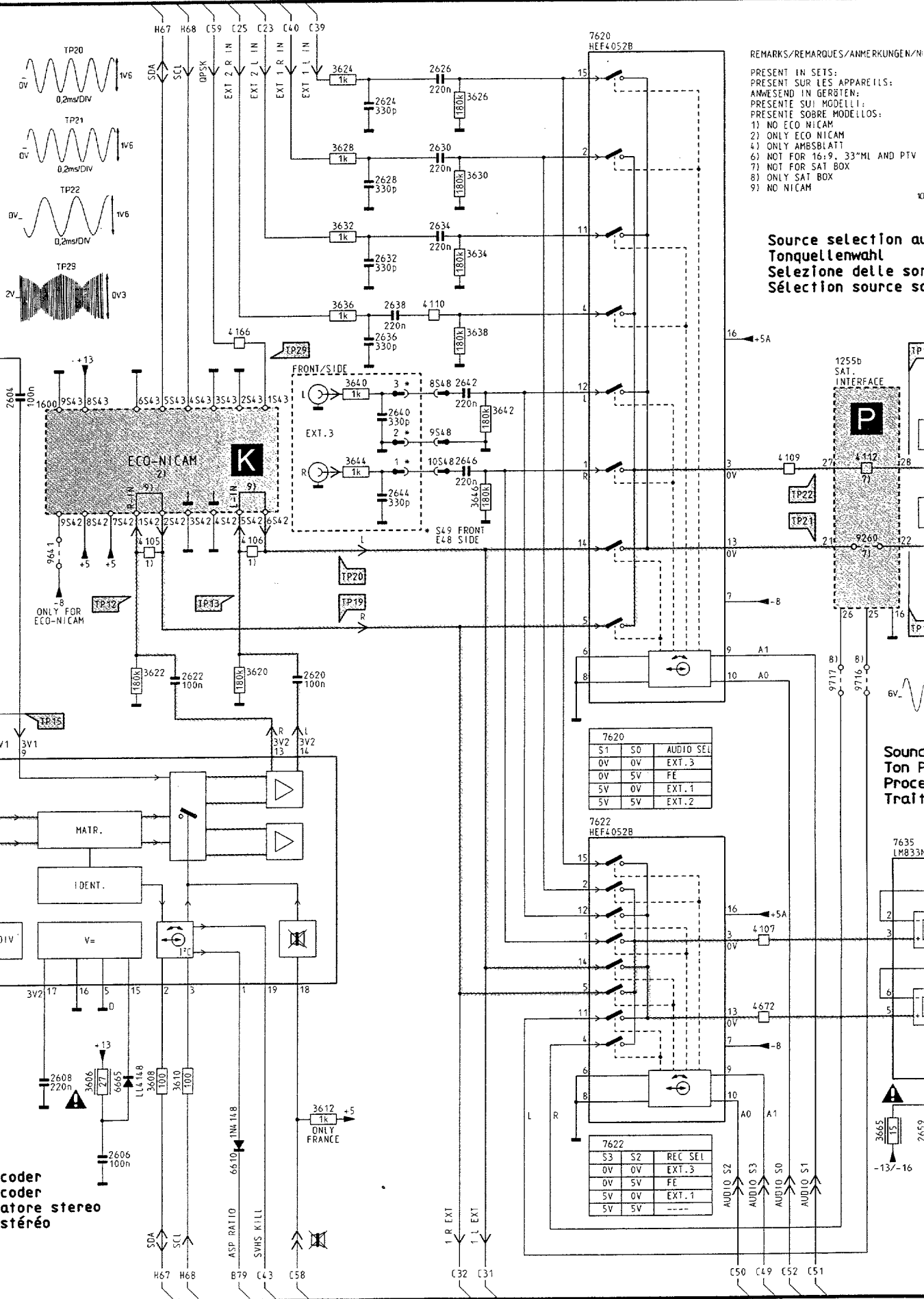
B16 9084 B21
F13 9182 N 7
G13 9210 M15
I13 9230 L14
J18 9232 L14
J18 9234 K10
K18 9236 L14
I13 9238 M16
J13 9252 L16
L 4 9254 K13
M17 9317 K10
M17 9327 G17
B21 9328 G17
G29 9372 N 8
H24 9375 B 1
H24 9380 H29
H21 9381 L 8
H22 9382 M 8
H22 9387 N 8
M29 9392 N23
M29 9393 N24
K28 9400 E21
J29 9403 K21
J29 9404 J21
I29 9440 D25
N22 9441 B23
N29 9452 I28
N29 9453 J28
M28 9454 K28
I21 9456 G26
L25 9457 H28
M25 9458 G26
M26
M27
M26
M19
M20
N19
N20
N25
J14
L15
M16
C13
B17
I11
I10
I 4
H 3
H10
H 2
H 1
D 5
N 7
N 6
N 6
K18
B15
J 5
N24
O18
C22
K29
B18
N24
N28
I21
D25
M26
B21
C14
K21
J21
J 7
H 3
C 6
D 4
B10
J28
J28
I28
L15
M15
M15
C 5
C 5
F13
C17
L26
D24
E25
M27
L26
N20
M21
H 6
K 8
H 4
J 4
J 5
J 3
I 9
L 3
F 2
E 4
N 4
C 7
I13
I15
G25
H22
L29
L28
M28
N21
N26

Synchronization / Synchronisation

B







REMARKS/REMARQUES/ANMERKUNGEN/VN
 PRESENT IN SETS:
 PRESENT SUR LES APPAREILS:
 ANWESEND IN GERÄTEN:
 PRESENTE SUI MODELLI:
 PRESENTE SOBRE MODELOS:
 1) NO ECO NICAM
 2) ONLY ECO NICAM
 4) ONLY AMBSBLATT
 6) NOT FOR 16:9, 33"ML AND PTV
 7) NOT FOR SAT BOX
 8) ONLY SAT BOX
 9) NO NICAM

Source selection at
 Tonquellenwahl
 Selezione delle sor
 Sélection source sc



S1	S0	AUDIO SEL
0V	0V	EXT. 3
0V	5V	FE
5V	0V	EXT. 1
5V	5V	EXT. 2

S3	S2	REC SEL
0V	0V	EXT. 3
0V	5V	FE
5V	0V	EXT. 1
5V	5V	---

Stereo decoder
 Stereo decoder
 Decodificatore stereo
 Décodeur stéréo

Sound Ton P
 Proce Traif

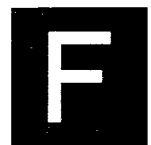
7635
 LM833K

7645
 15

7649

-13/-16

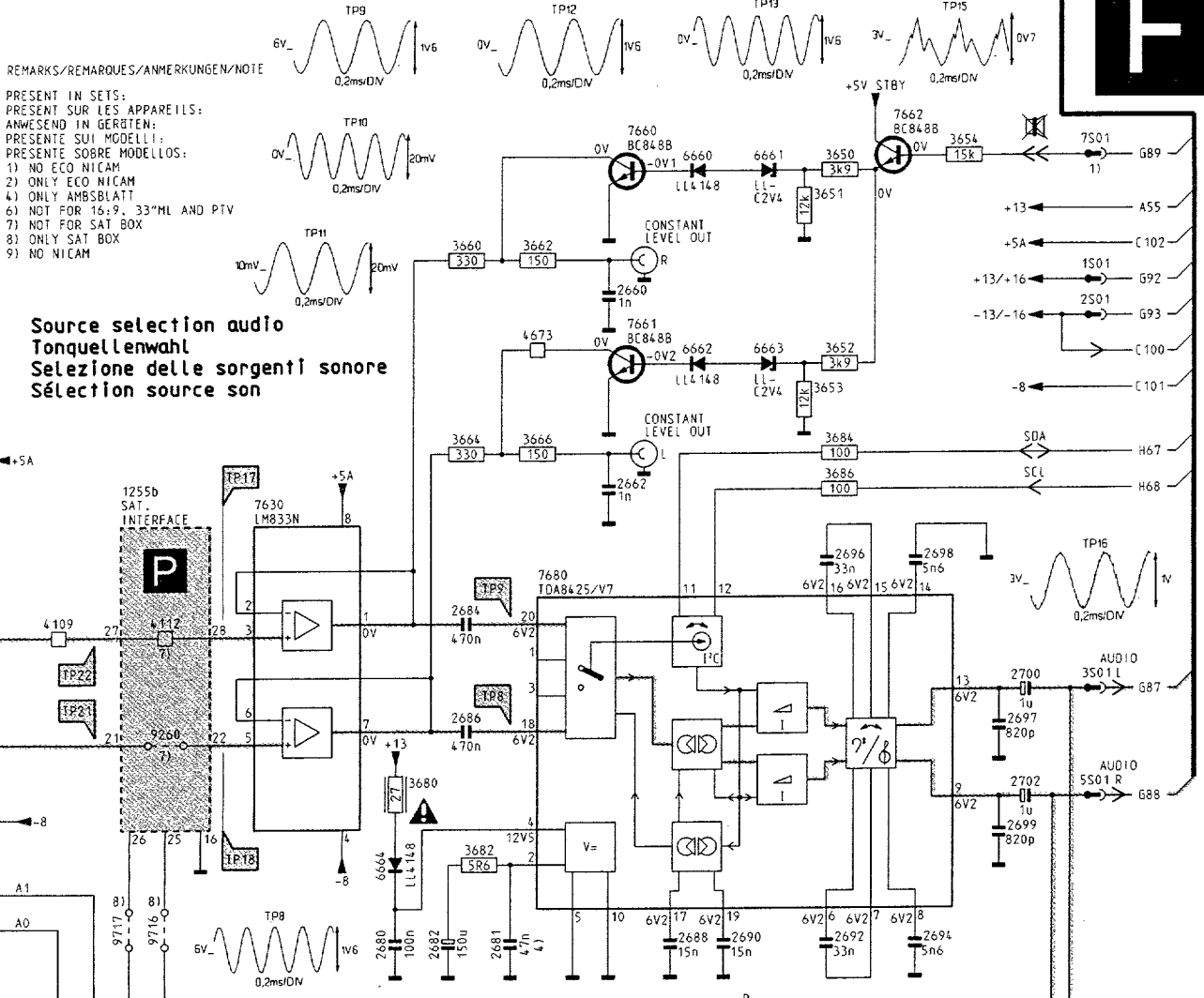
Traitement audio



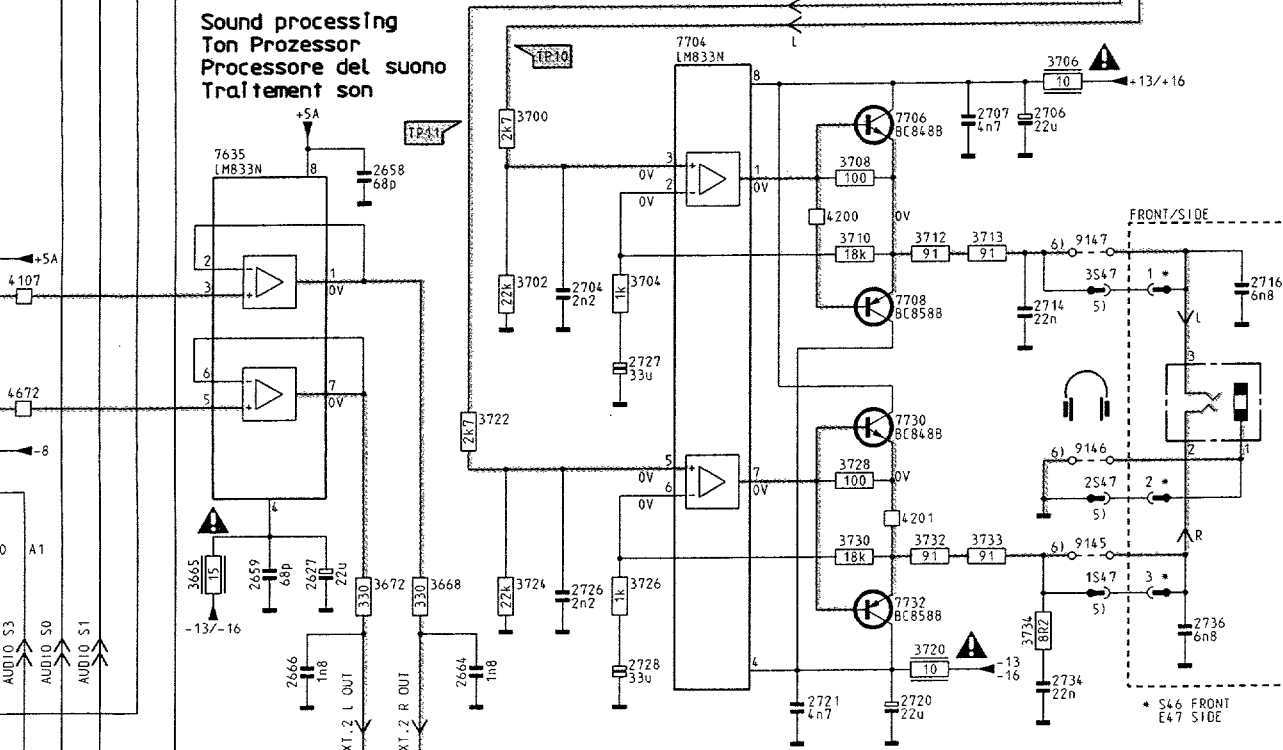
REMARKS/REMARQUES/ANMERKUNGEN/NOTE

- PRESENT IN SETS:
 PRESENT SUR LES APPAREILS:
 ANWESEND IN GERÄTEN:
 PRESENTE SUI MODELLI:
 PRESENTE SOBRE MODELOS:
 1) NO ECO NICAM
 2) ONLY ECO NICAM
 4) ONLY AMBSBLATT
 6) NOT FOR 16-9, 33"HL AND PTV
 7) NOT FOR SAT BOX
 8) ONLY SAT BOX
 9) NO NICAM

Source selection audio Tonquellenwahl Selezione delle sorgenti sonore Sélection source son

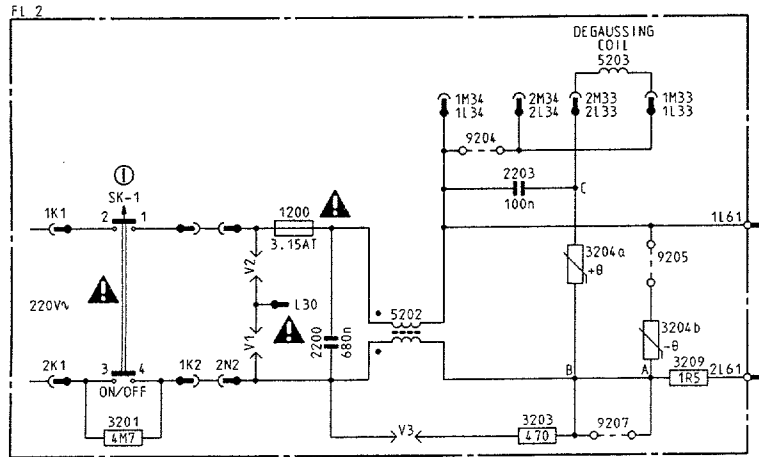
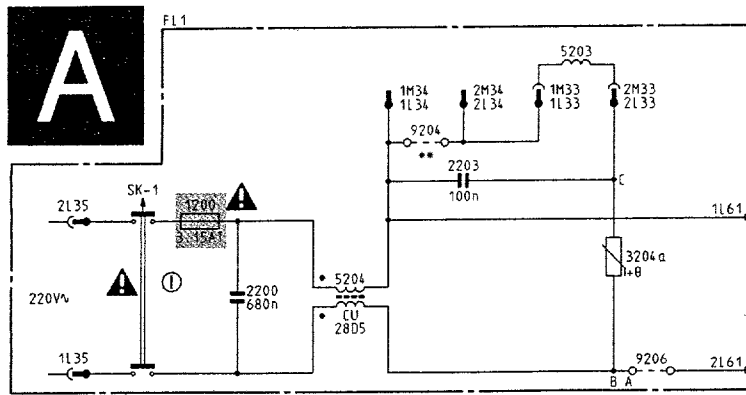


Sound processing Ton Processor Processore del suono Traitement son



CHASSIS FL
 C136532036/016, FREF
 130593

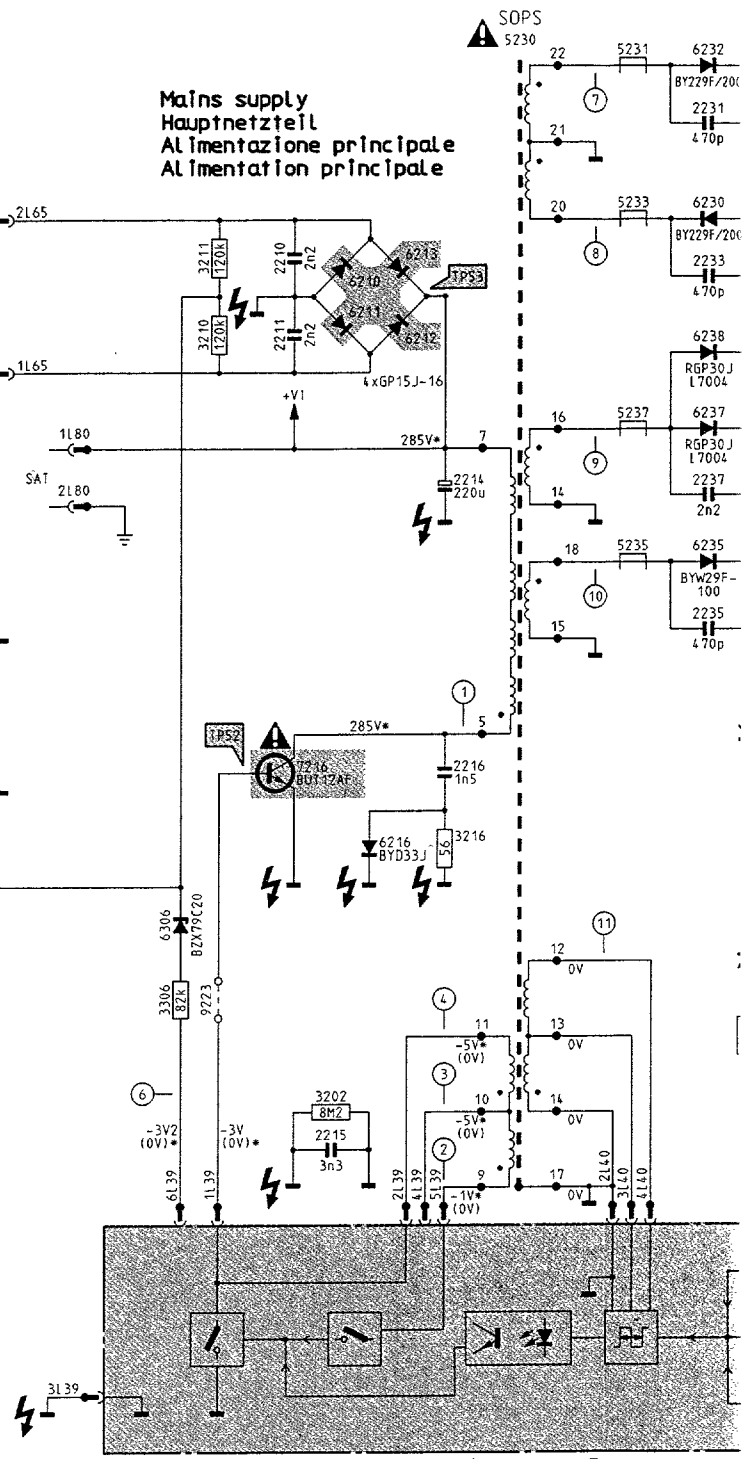
1255	E11	4110	D 7
1600	E 2	4112	F12
1602	M 1	4166	D 5
2600	G 2	4200	K17
2602	H 1	4201	M17
2604	E 2	4672	L11
2606	N 3	4673	C15
2608	M 2	6610	N 5
2620	H 5	6660	B16
2622	H 4	6661	B17
2624	B 6	6662	O16
2626	A 7	6663	D17
2628	H13	6664	H14
2629	C 6	6665	M 3
2630	B 7	7600	I 1
2632	D 6	7620	A 9
2634	C 7	7622	J 9
2636	D 6	7630	E12
2638	D 6	7635	J12
2640	E 6	7660	B16
2642	E 7	7661	C16
2644	F 6	7662	B18
2646	F 7	7680	E15
2658	J13	7704	L16
2659	M12	7706	J17
2660	C16	7708	K17
2662	E16	7730	L17
2664	N14	7732	N17
2666	N13	9145	M19
2680	H14	9146	M19
2681	H15	9147	K19
2682	H14	9260	G12
2684	F14	9641	G 2
2686	G14	9716	H12
2688	H16	9717	H11
2690	H16		
2692	H17		
2694	H18		
2696	E17		
2697	G19		
2698	E18		
2699	H19		
2700	F19		
2702	G19		
2704	K15		
2706	J18		
2707	J18		
2714	K18		
2716	K20		
2720	O17		
2721	O17		
2726	N15		
2727	L15		
2728	N15		
2734	N19		
2736	N20		
3600	E 2		
3602	F 1		
3603	H 1		
3604	G 1		
3605	H 1		
3606	M 3		
3608	M 4		
3610	M 4		
3612	M 6		
3620	H 5		
3622	H 3		
3624	A 6		
3626	B 7		
3628	B 6		
3630	C 7		
3632	C 6		
3634	C 7		
3636	D 6		
3638	D 7		
3640	E 6		
3642	E 7		
3644	F 6		
3646	F 7		
3650	B17		
3651	B17		
3652	D17		
3653	D17		
3654	B18		
3660	C14		
3662	C15		
3664	D14		
3665	H12		
3666	O15		
3668	N14		
3672	N13		
3680	G14		
3682	H14		
3684	D17		
3686	E17		
3700	J14		
3702	K14		
3704	K15		
3706	J19		
3708	J17		
3710	K17		
3712	K18		
3713	K18		
3720	N18		
3722	L14		
3724	N14		
3726	N15		
3728	M17		
3730	M17		
3732	M18		
3733	M18		
3734	N18		
4105	G 4		
4106	G 5		
4107	K11		
4109	F11		



** REMARKS / REMARQUES / ANMERKUNGEN / NOTE

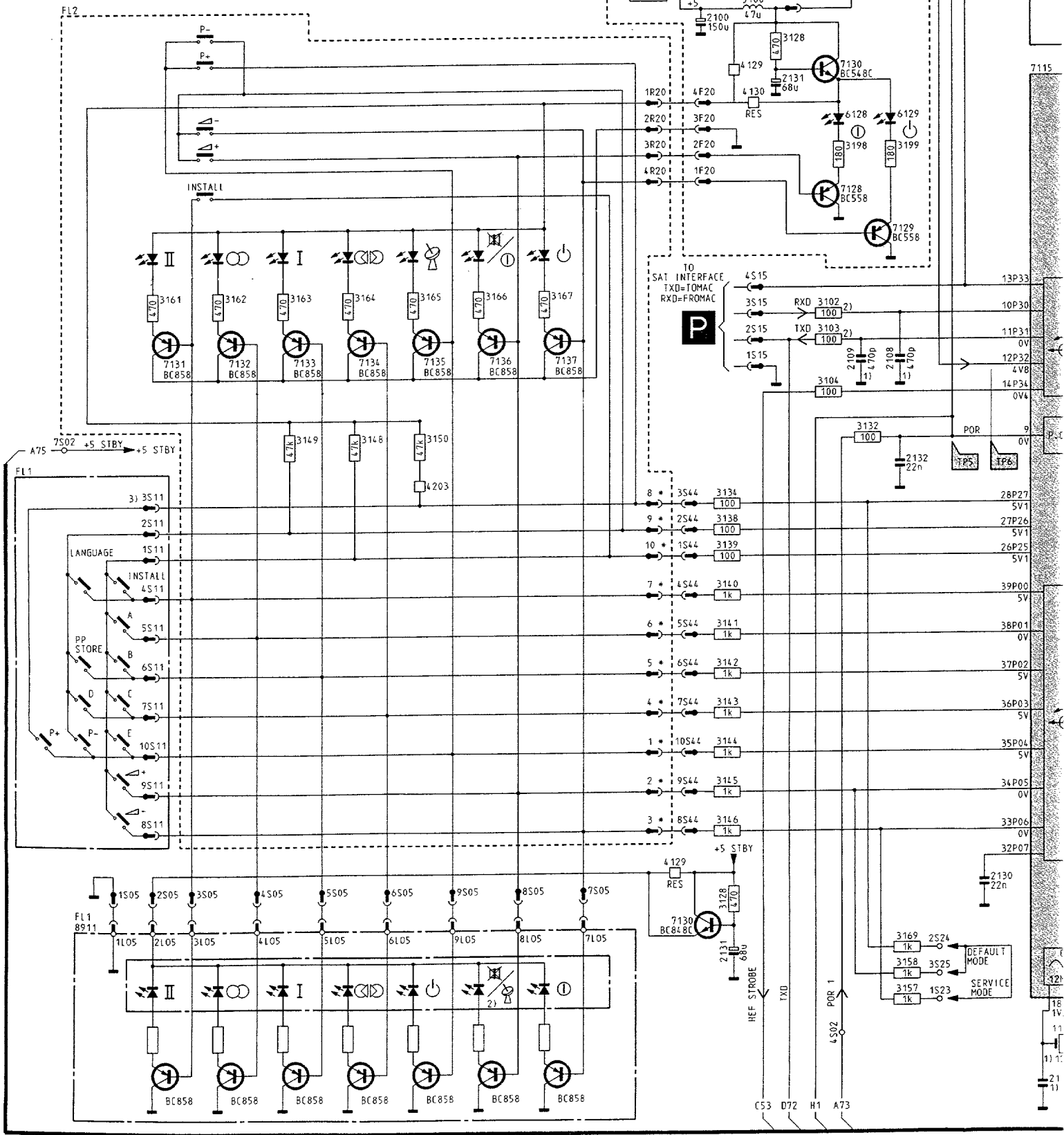
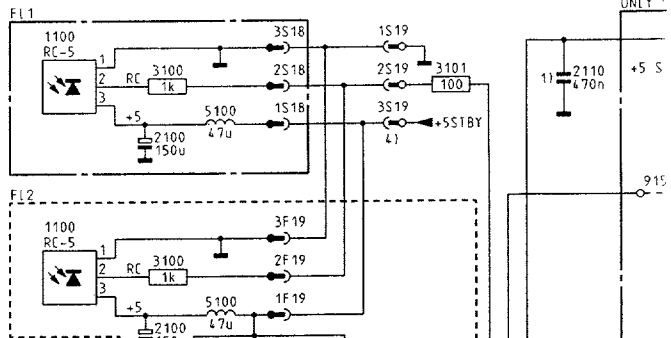
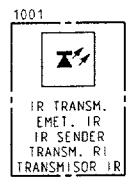
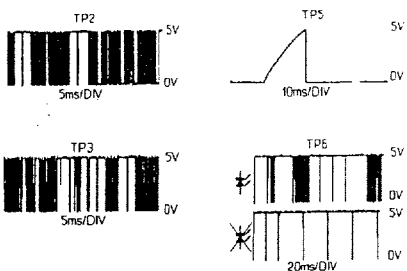
	25"	28"	33"
3205	-	-	X
5204	-	-	X
9204	X	X	-
9205	-	-	X
9206	X	X	-

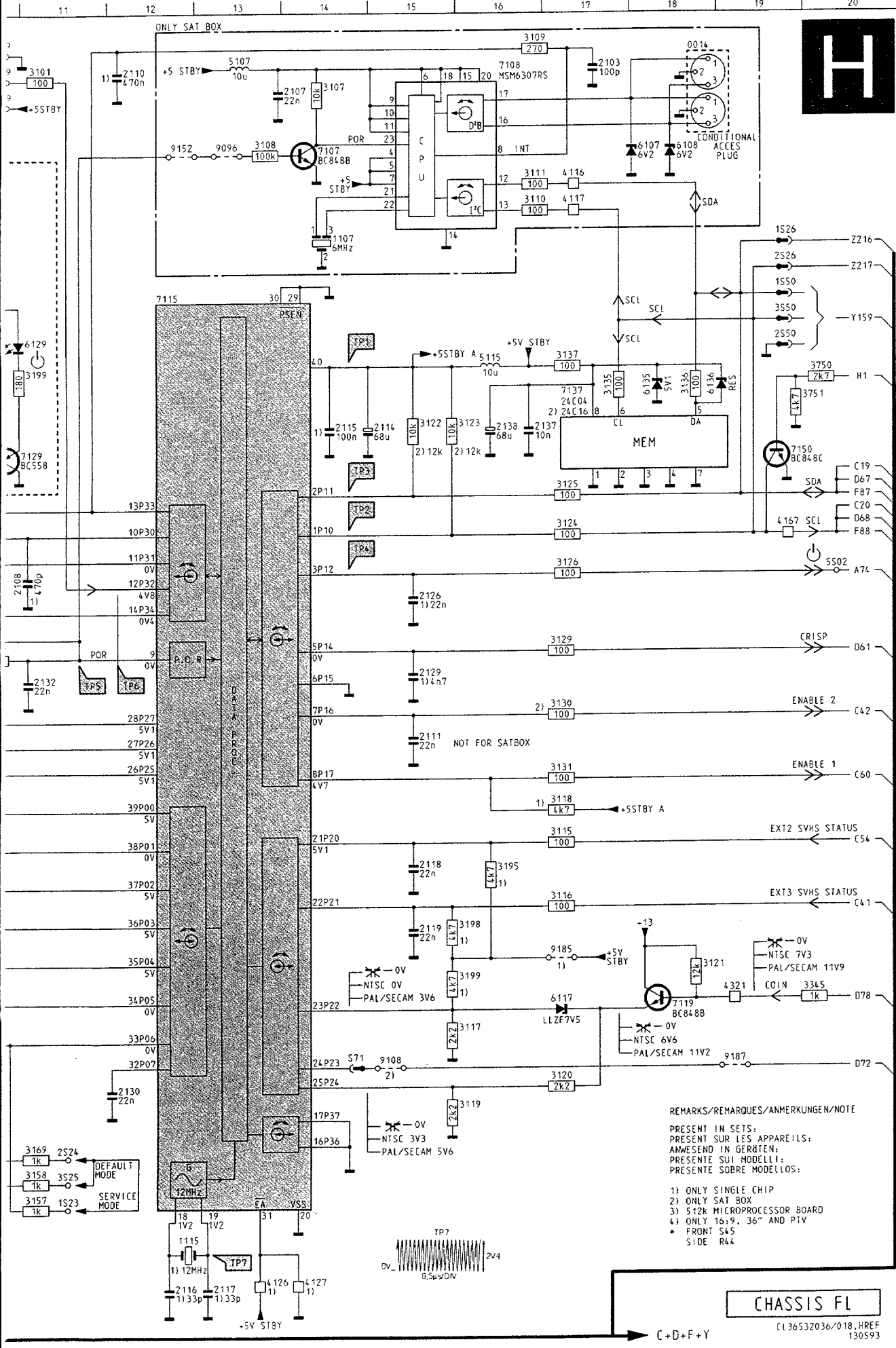
Mains supply
Hauptnetzteil
Alimentazione principale
Alimentation principale



Stand-by supply
Bereitschaftsnetzteil (stand by)
Alimentazione modo di attesa
Alimentation de veille

* MEASURED IN RESPECT OF MISURATO NEI CONFRONTI DI (...V) →

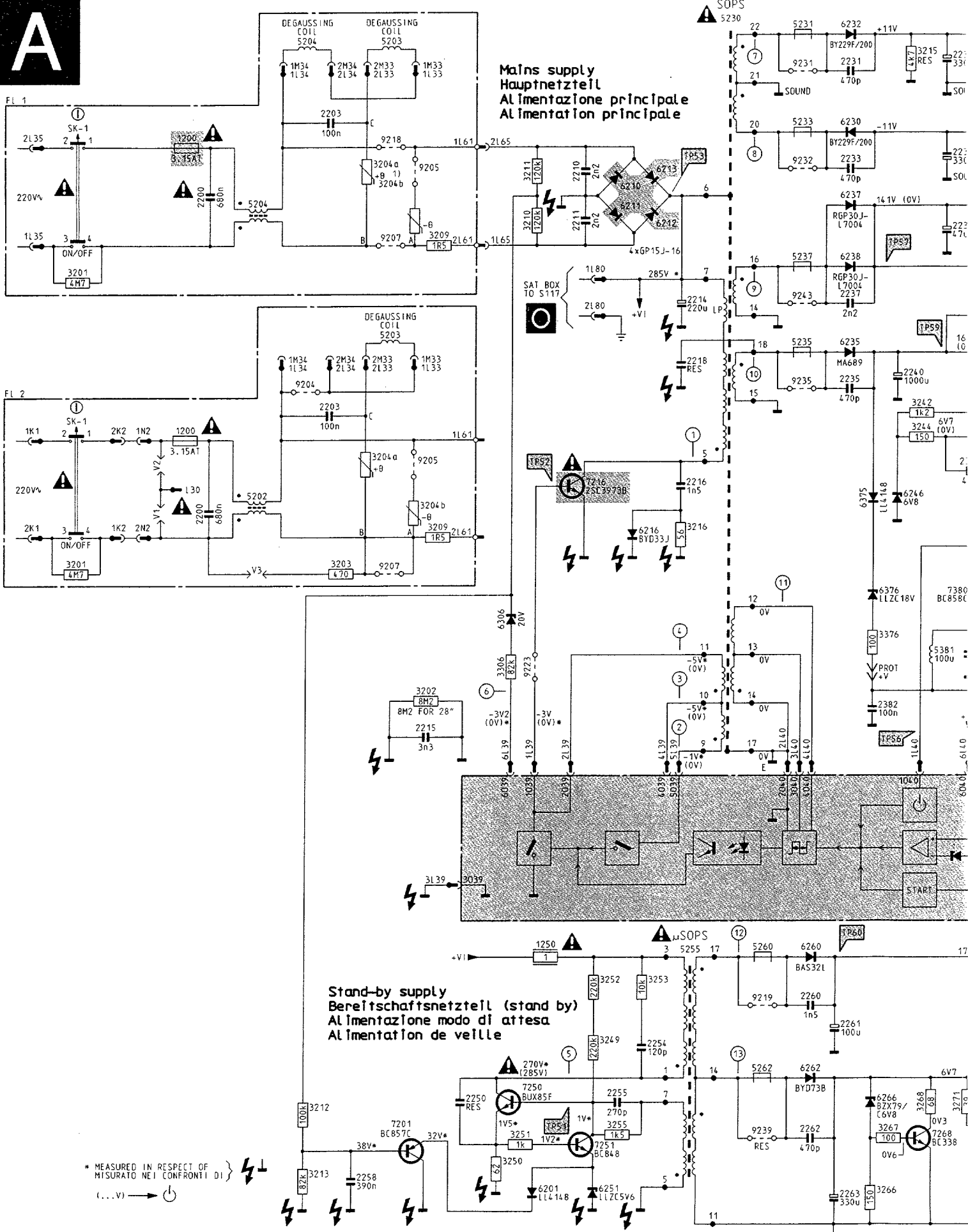




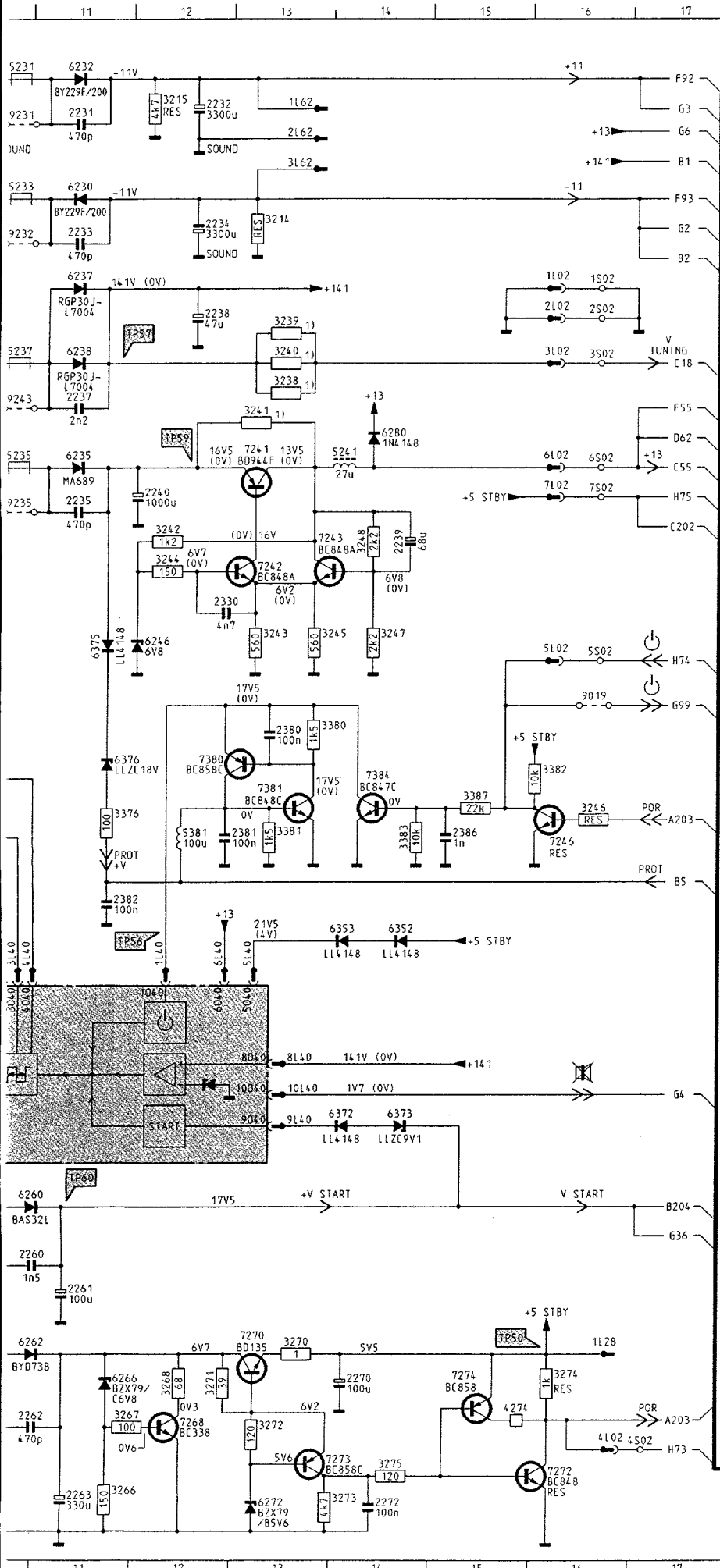
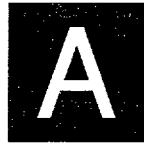
0014	A18	7128	E10
1001	A 6	7129	E10
1100	A 8	7130	M 8
1100	B 8	7130	D10
1107	C14	7131	G 2
1115	N12	7132	G 3
2100	B 8	7133	G 4
2100	C 8	7134	G 4
2103	A17	7135	G 5
2107	A14	7136	G 6
2108	G11	7137	G 7
2109	G10	7137	E17
2110	A12	7150	E19
2111	I15	8911	M 1
2114	E15	9096	B13
2115	E14	9108	L15
2116	O12	9152	B12
2117	O13	9185	K17
2118	J15	9187	L19
2119	K15		
2126	G15		
2129	H15		
2130	M12		
2131	M 9		
2131	D 9		
2132	H11		
2137	E16		
2138	E16		
3100	A 9		
3100	B 9		
3101	A11		
3102	F10		
3103	F10		
3104	G10		
3107	A14		
3108	B13		
3109	A16		
3110	B16		
3111	B16		
3115	J17		
3116	J17		
3117	L16		
3118	L17		
3119	M16		
3120	M17		
3121	K18		
3122	E15		
3123	E16		
3124	F17		
3125	F17		
3126	G17		
3128	M 9		
3128	C 9		
3128	H17		
3130	H17		
3131	I17		
3132	H10		
3134	H 9		
3135	E17		
3136	E18		
3137	D17		
3138	I 9		
3139	I 9		
3140	I 9		
3141	J 9		
3142	J 9		
3143	K 9		
3144	K 9		
3145	L 9		
3146	L 9		
3148	H 4		
3149	H 4		
3150	H 5		
3157	M11		
3158	N11		
3161	F 2		
3162	F 3		
3163	F 4		
3164	F 4		
3165	F 5		
3166	F 6		
3167	F 7		
3169	M11		
3195	J16		
3198	D10		
3198	K15		
3199	D11		
3199	K16		
3345	L20		
3750	O20		
3751	E19		
4116	B17		
4117	B17		
4126	O13		
4127	O14		
4129	L 8		
4129	D 9		
4130	D 9		
4167	F19		
4203	H 5		
4321	L19		
5100	A 9		
5100	C 9		
5107	A13		
5115	D16		
6107	B18		
6108	B18		
6117	L17		
6128	D10		
6129	D11		
6135	E18		
6136	E18		
7107	A16		
7115	D12		
7119	L18		

REMARKS/REMARQUES/ANMERKUNGEN/NOTE
 PRESENT IN SETS:
 PRESENT SUR LES APPAREILS:
 ANWESEND IN GERÄTEN:
 PRESENTE SUI MODELLI:
 PRESENTE SOBRE MODELOS:
 1) ONLY SINGLE CHIP
 2) ONLY SAT BOX
 3) 512K MICROPROCESSOR BOARD
 4) ONLY 16:9, 36" AND PTV
 * FRONT S45
 SIDE R44

CHASSIS FL
 CL36532036/018_HREF
 130593

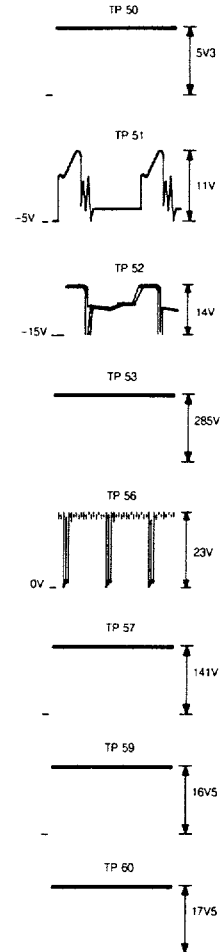


* MEASURED IN RESPECT OF MISURATO NEI CONFRONTI DI (...V)



1)

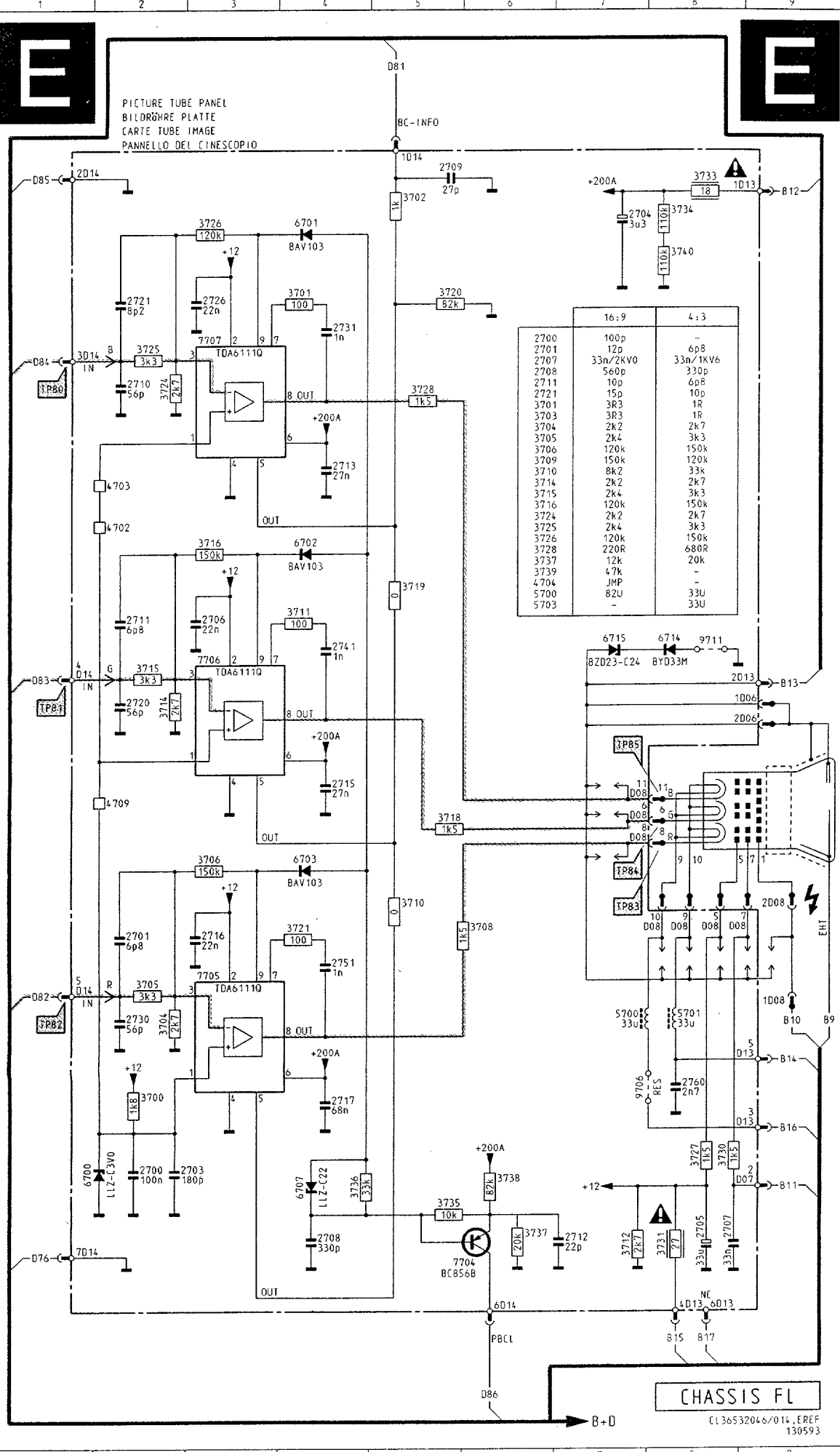
	28"	32"	36"	2 TUNER P I P	NON P I P	P I P
3238	---	---	---	100k	300k	300k
3239	---	---	---	100k	300k	300k
3240	---	---	---	100k	300k	300k
3241	---	---	---	2R2	4R7	2R7



CHASSIS FLX. 14
 CL36532036/011, AREF
 130593

- 1200 B 2 6237 C11
- 1200 F 2 6238 D11
- 2200 C 2 6246 G12
- 2200 G 2 6251 O 8
- 2202 B 3 6260 L11
- 2203 B 4 6262 N11
- 2203 E 4 6266 M11
- 2210 C 8 6272 O13
- 2211 C 8 6280 D14
- 2214 D 9 6306 H 7
- 2215 I 6 6352 L14
- 2216 F 9 6353 L14
- 2218 E 9 6372 K14
- 2231 A11 6373 K14
- 2232 A12 6375 G11
- 2233 B11 6376 H11
- 2234 B12 7201 N 6
- 2235 E11 7216 F 8
- 2237 D11 7241 E13
- 2238 C12 7242 F13
- 2239 E14 7243 F13
- 2240 E12 7246 H16
- 2250 N 6 7250 N 7
- 2254 M 9 7251 N 8
- 2255 N 8 7268 N12
- 2258 O 5 7270 M13
- 2260 M11 7272 O16
- 2261 M11 7273 O13
- 2262 N11 7274 N15
- 2263 O11 7380 H12
- 2270 N14 7381 H13
- 2272 O14 7384 H14
- 2330 F12 9019 G16
- 2380 G13 9204 E 4
- 2381 H12 9205 C 5
- 2382 I11 9205 F 5
- 2386 H15 9206 C 5
- 3201 D 2 9206 G 5
- 3201 G 2 9207 D 5
- 3202 I 6 9207 G 5
- 3203 C 5 9218 B 5
- 3203 G 4 9219 M10
- 3204 B 5 9223 I 7
- 3204 C 5 9231 A10
- 3204 F 5 9232 B10
- 3209 C 5 9239 N10
- 3209 G 5 9242 B 5
- 3210 C 7 9242 E 5
- 3211 C 7 9243 D10
- 3212 N 4
- 3213 O 4
- 3214 B13
- 3215 A12
- 3216 G 9
- 3235 L 7
- 3238 D13
- 3239 C13
- 3240 O13
- 3241 D13
- 3242 E12
- 3243 F13
- 3244 F12
- 3245 F13
- 3246 H16
- 3247 F14
- 3248 E14
- 3249 H 8
- 3250 O 7
- 3251 N 7
- 3252 L 8
- 3253 L 9
- 3255 N 8
- 3266 O11
- 3267 N11
- 3268 N12
- 3270 N13
- 3271 N12
- 3272 N13
- 3273 O14
- 3274 N16
- 3275 O14
- 3275 N14
- 3275 N16
- 3306 I 7
- 3376 H11
- 3380 G13
- 3381 H13
- 3382 H16
- 3383 H14
- 3387 H15
- 4274 N15
- 5202 G 3
- 5203 A 5
- 5203 E 5
- 5204 C 3
- 5204 A 4
- 5230 A 9
- 5231 A10
- 5233 B10
- 5235 E10
- 5237 D10
- 5241 E14
- 5255 L 9
- 5260 L10
- 5262 N10
- 5381 O12
- 6201 O 7
- 6210 C 8
- 6211 C 8
- 6212 C 9
- 6213 C 9
- 6216 G 8
- 6230 B11
- 6232 A11
- 6235 E11

PICTURE TUBE PANEL
BILDRÖHRE PLATTE
CARTE TUBE IMAGE
PANNELLO DEL CINESCOPIO



	16:9	4:3
2700	100p	-
2701	12p	6p8
2707	33n/2kV0	33n/1kV6
2708	560p	330p
2711	10p	6p8
2721	15p	10p
3701	3R3	1R
3703	3R3	1R
3704	2k2	2k7
3705	2k4	3k3
3706	120k	150k
3709	150k	120k
3710	8k2	33k
3714	2k2	2k7
3715	2k4	3k3
3716	120k	150k
3724	2k2	2k7
3725	2k4	3k3
3726	120k	150k
3728	220R	680R
3737	12k	20k
3739	47k	-
4704	JMP	-
5700	82U	33U
5703	-	33U

- 2700 M 2
- 2701 J 2
- 2703 M 2
- 2704 C 7
- 2705 M 8
- 2706 G 3
- 2707 M 4
- 2708 M 4
- 2709 B 5
- 2710 D 2
- 2711 G 2
- 2712 M 7
- 2713 E 4
- 2715 I 4
- 2716 J 3
- 2717 L 4
- 2720 H 2
- 2721 C 2
- 2726 C 3
- 2730 K 2
- 2731 D 4
- 2741 G 4
- 2751 K 4
- 2760 L 8
- 3700 L 2
- 3701 C 4
- 3702 B 5
- 3704 K 2
- 3705 K 2
- 3706 I 3
- 3708 J 6
- 3710 J 5
- 3711 G 4
- 3712 M 7
- 3714 H 2
- 3715 G 2
- 3716 F 3
- 3718 I 5
- 3719 F 5
- 3720 C 5
- 3721 J 4
- 3724 D 2
- 3726 C 3
- 3727 M 8
- 3730 M 8
- 3731 M 8
- 3733 B 8
- 3734 B 8
- 3735 M 5
- 3736 M 4
- 3737 M 6
- 3738 M 6
- 3740 C 8
- 4702 F 2
- 4703 E 2
- 4709 I 2
- 5700 K 7
- 5701 K 8
- 6700 M 1
- 6701 C 4
- 6702 F 4
- 6703 I 4
- 6707 H 4
- 6714 G 8
- 6715 G 7
- 7704 N 6
- 7705 K 3
- 7706 G 3
- 7707 D 3
- 9706 L 7
- 9711 G 8

Vid.

A

B

C

A

B

B

G

R

C

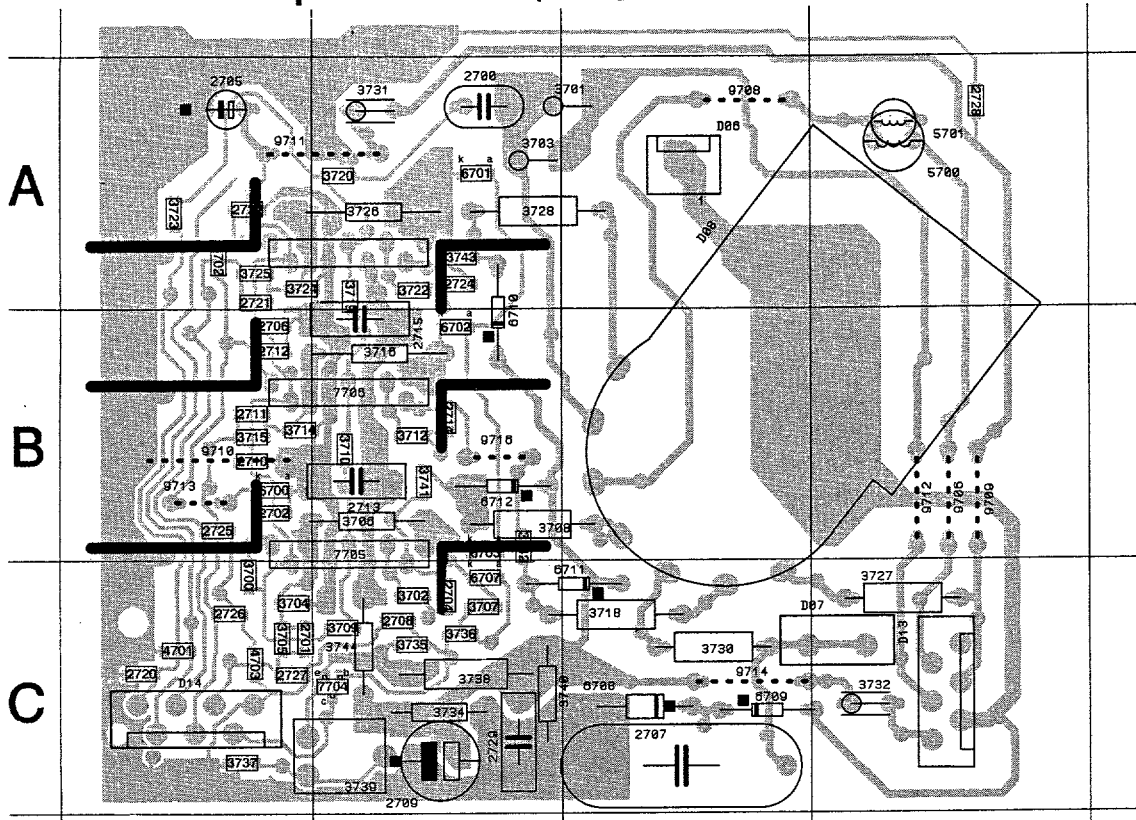


CHASSIS FL

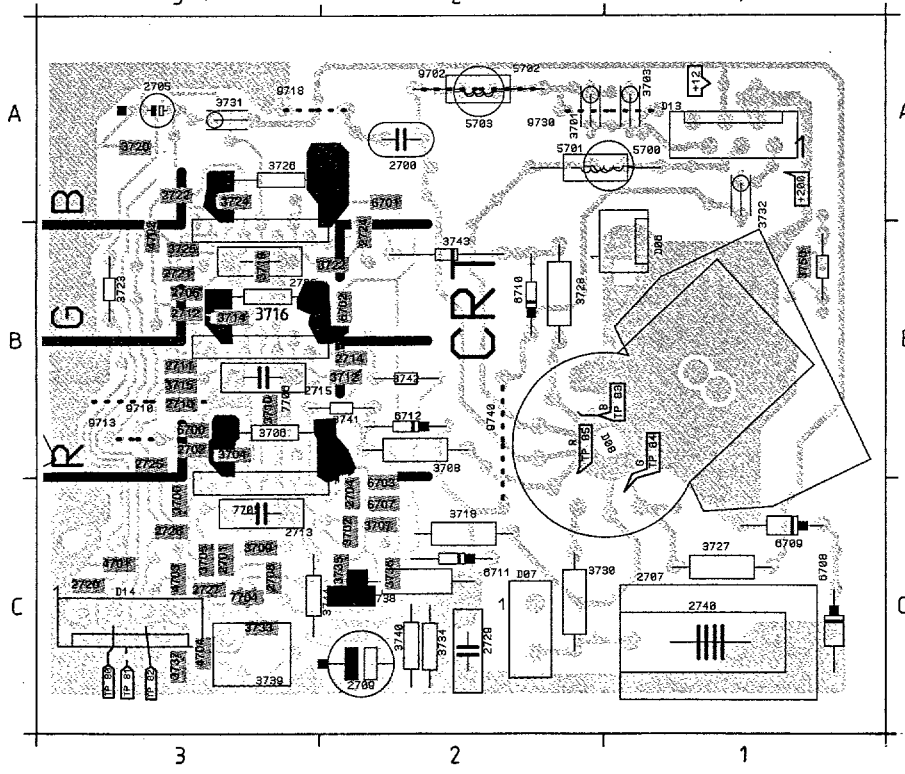
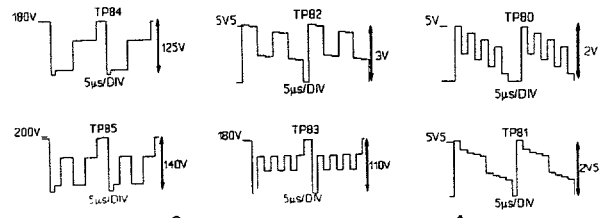
CL36532046/014, EREF
130593

Platines Tube-image

Videocolor picture tube (36")

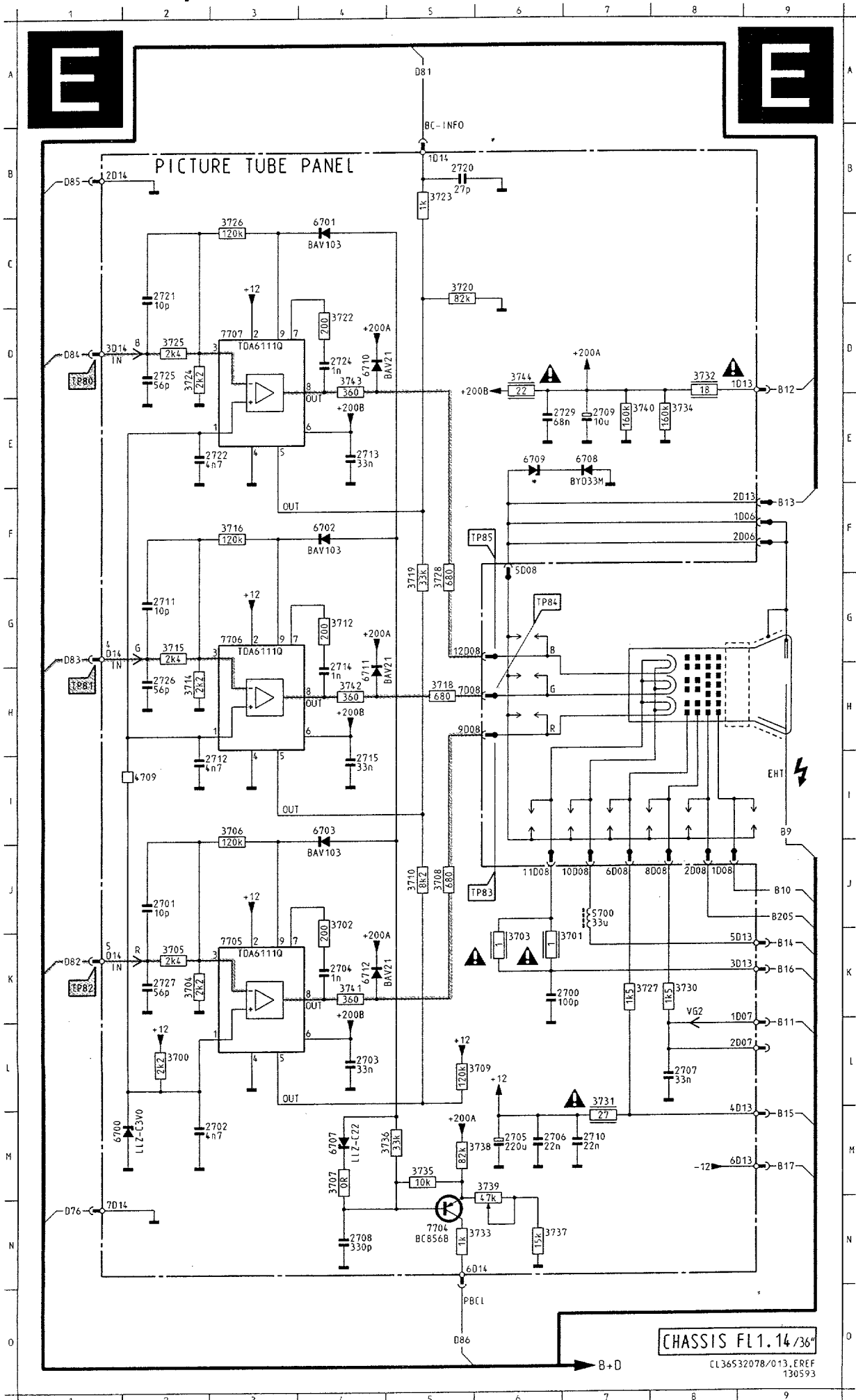


D06 A2	3708 B3	6701 A3
D07 C1	3709 C3	6702 B3
D08 B2	3710 B3	6703 B3
D13 C1	3712 B3	6707 C3
D14 C4	3714 B4	6708 C2
2700 A3	3715 B4	6709 C2
2701 C4	3716 B3	6710 B3
2702 B4	3718 C2	6711 C3
2704 C3	3719 A3	6712 B3
2705 A4	3720 A3	7704 C4
2706 B4	3722 A3	7705 B3
2707 C3	3723 A4	7706 B3
2708 C3	3724 A4	7707 A3
2709 C3	3725 A4	8706 B1
2710 B4	3726 A3	8708 A2
2711 B4	3727 C1	8709 B1
2712 B4	3728 A3	8710 B4
2713 B3	3730 C2	8711 A4
2714 B3	3731 A3	8712 B1
2715 B3	3732 C1	8713 B4
2720 C4	3734 C3	8714 C2
2721 A4	3735 C3	8716 B3
2722 A4	3736 C3	
2724 A3	3737 C4	
2725 B4	3738 C3	
2726 C4	3739 C3	
2727 C4	3740 C3	
2728 A1	3741 B3	
2729 C3	3742 B3	
3700 C4	3743 A3	
3701 A3	3744 C3	
3702 C3	4701 C4	
3703 A3	4702 A4	
3704 C4	4703 C4	
3705 C4	6700 A1	
3706 B3	6701 A1	
3707 C3	6700 B4	



D06 B1	3708 B2	5701 A2
D07 C2	3709 C3	5702 A2
D08 B1	3710 B3	5703 A2
D13 A1	3712 B2	6700 B3
D14 C3	3714 B3	6701 A2
2700 A2	3715 B3	6702 B2
2701 C3	3716 B3	6703 C2
2702 B3	3718 C2	6707 C2
2703 B3	3719 B3	6708 C1
2704 C2	3720 A3	6709 C1
2705 A3	3722 B2	6710 B2
2706 B3	3723 B3	6711 C2
2707 C1	3724 A3	6712 B2
2708 C3	3725 B3	7704 C3
2709 C2	3726 A3	7705 C3
2710 B3	3727 C1	7706 B3
2711 B3	3728 B2	7707 B3
2712 B3	3730 C2	9702 A2
2713 C3	3731 A3	9710 B3
2714 B2	3732 A1	9713 B3
2715 B3	3733 C3	9718 A3
2720 C3	3734 C2	9730 A1
2721 B3	3735 C2	9740 B2
2722 A3	3736 C2	
2724 B2	3738 C2	
2725 B3	3739 C3	
2726 C3	3740 C2	
2727 C3	3741 B2	
2729 C2	3742 B2	
2740 C1	3743 B2	
3700 C3	3744 C3	
3701 A2	3750 B1	
3702 C2	3751 B1	
3703 A1	4701 C3	
3704 B3	4702 B3	
3705 C3	4703 C3	
3706 B3	4704 C3	
3707 C2	5700 A1	

Picture tube panel 36"



2700	K 6
2701	J 2
2702	M 2
2703	L 4
2704	K 4
2705	M 6
2706	M 6
2707	L 8
2708	N 4
2709	E 7
2710	M 7
2711	G 2
2712	I 2
2713	E 4
2714	H 4
2715	I 4
2720	B 5
2721	C 2
2722	E 2
2724	D 4
2725	D 2
2726	H 2
2727	K 2
2729	E 6
2700	L 2
2701	K 6
2702	J 4
2703	K 6
2704	K 2
2705	K 2
2706	I 3
2707	M 4
2708	J 5
2709	L 5
2710	J 5
2712	G 4
2714	H 2
2715	G 2
2716	F 3
2718	H 5
2719	G 5
2720	C 5
2722	D 4
2723	B 5
2724	D 2
2726	C 3
2727	K 7
2728	G 5
2730	K 8
2731	L 7
2732	D 8
2733	N 5
2734	E 8
2735	M 5
2736	M 5
2737	N 6
2738	M 5
2739	M 6
2740	E 7
2741	K 4
2742	H 4
2743	D 4
2744	D 6
2709	I 2
2700	J 7
2700	M 1
2701	C 4
2702	F 4
2703	I 4
2707	M 4
2708	E 7
2709	E 6
2710	D 4
2711	H 4
2712	K 4
2704	N 5
2705	K 3
2706	G 3
2707	D 3

33	6701 A3
33	6702 B3
33	6703 B3
33	6707 C3
34	6708 C2
34	6709 C2
33	6710 B3
32	6711 C3
A3	6712 B3
A3	7704 C4
A4	7706 B3
A4	7708 B3
A4	7707 A3
A4	9708 B1
A4	9708 A2
C1	9708 B1
A3	9710 B4
C2	9711 A4
A1	9712 B1
C1	9713 B4
C3	9714 C2
C3	9716 B3

5701	A2
5702	A2
5703	A2
6700	B3
6701	A2
6702	B2
6703	C2
6707	C2
6708	C1
6709	C1
6710	B2
6711	C2
6712	B2
7704	C3
7705	C3
7706	B3
7707	B3
9702	A2
9710	B3
9713	B3
9718	A3
9730	A1
9740	B2

CHASSIS FL1.14/36"
CL36532078/013, EREF
130593

Audi

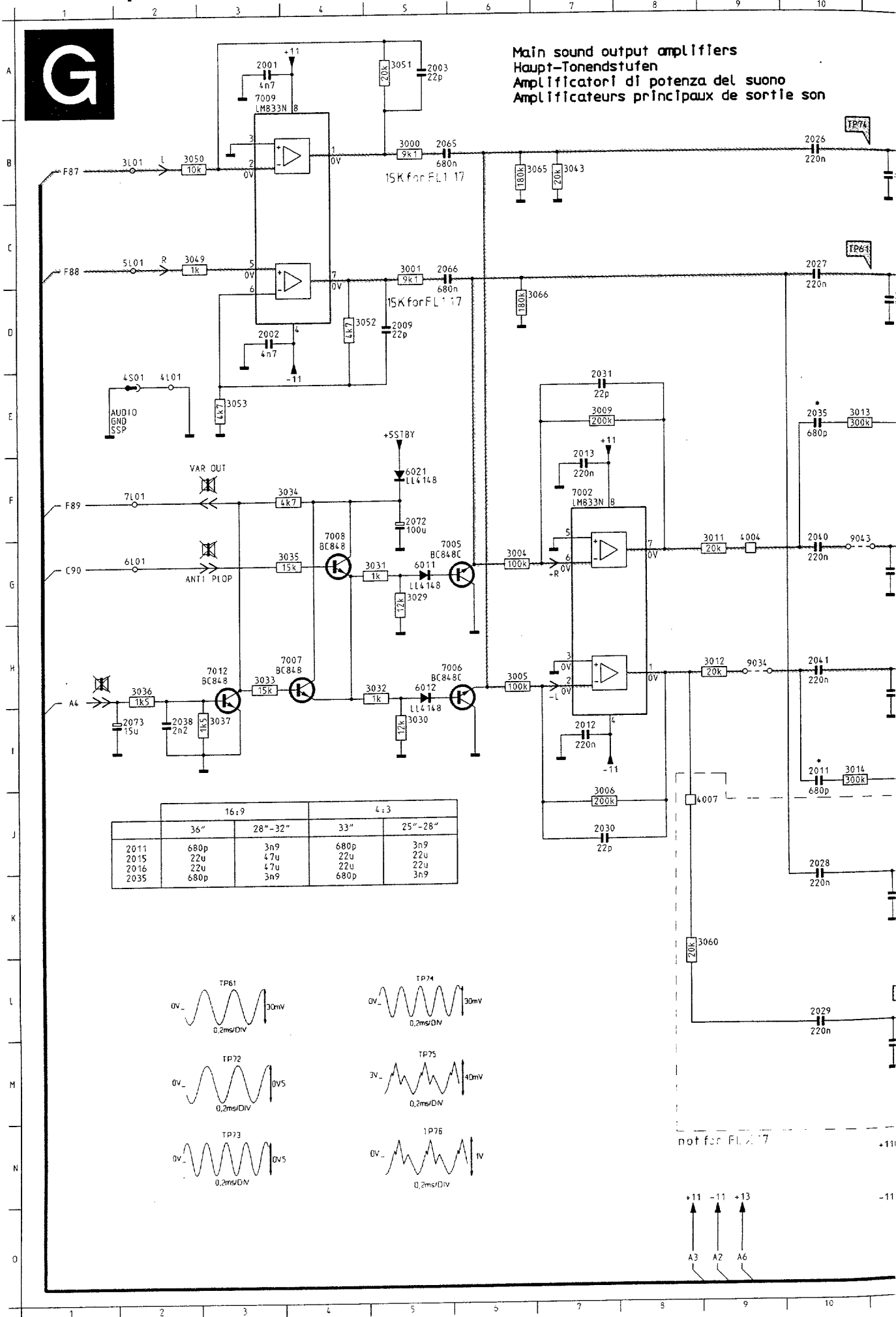


A
B
C
D
E
F
G
H
I
J
K
L
M
N
O

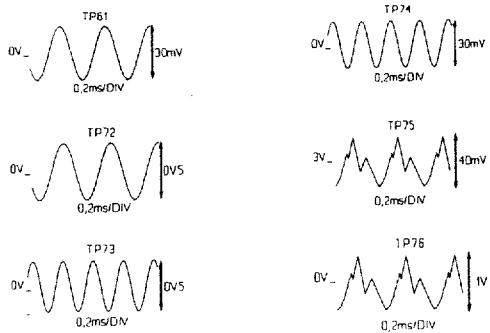




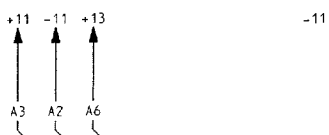
Main sound output amplifiers
 Haupt-Tonendstufen
 Amplificatori di potenza del suono
 Amplificateurs principaux de sortie son



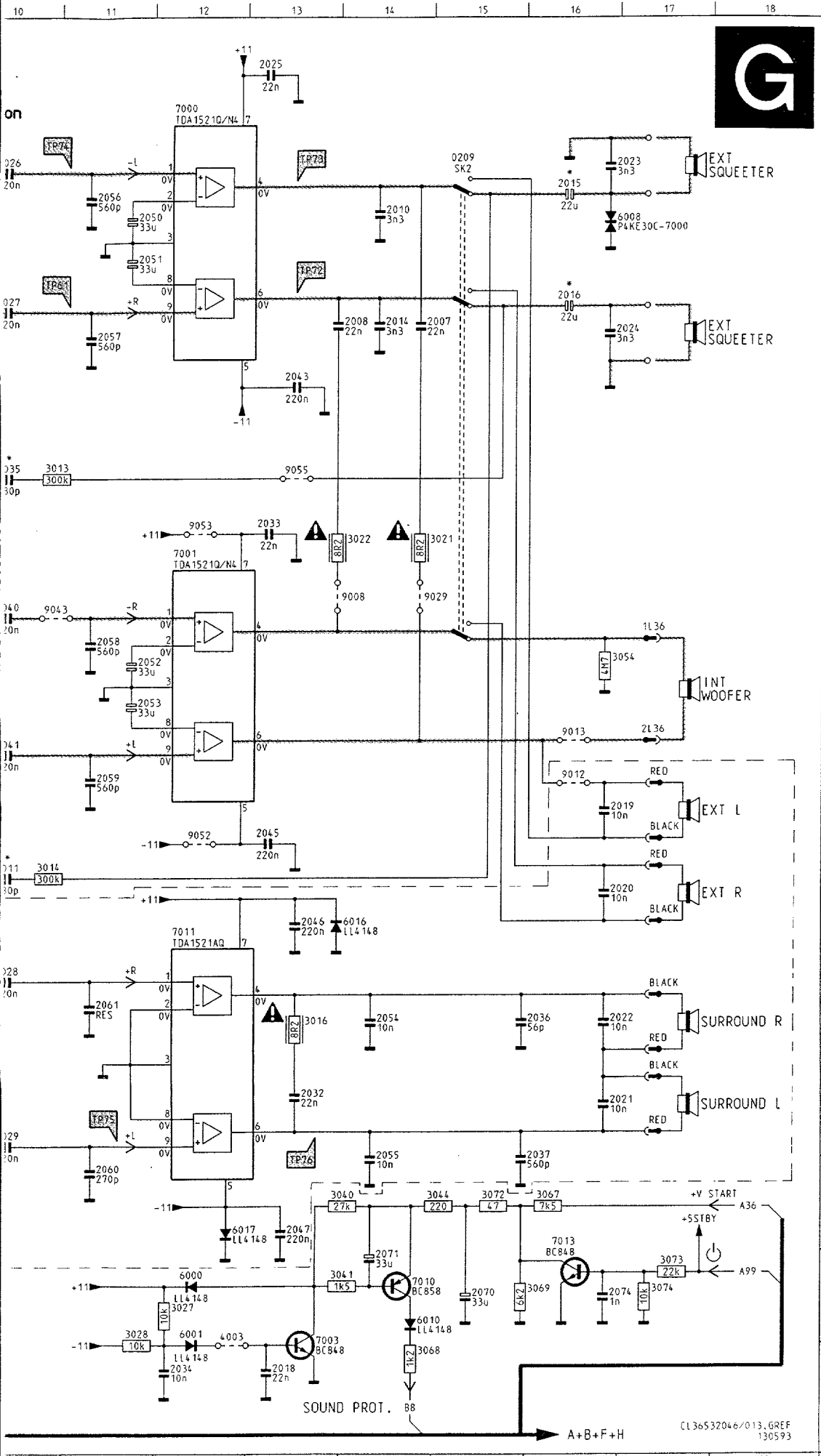
	16:9		4:3	
	36"	28"-32"	33"	25"-28"
2011	680p	3n9	680p	3n9
2015	22u	47u	22u	22u
2016	22u	47u	22u	22u
2035	680p	3n9	680p	3n9



not for FL 2:7



Amplificateur audio

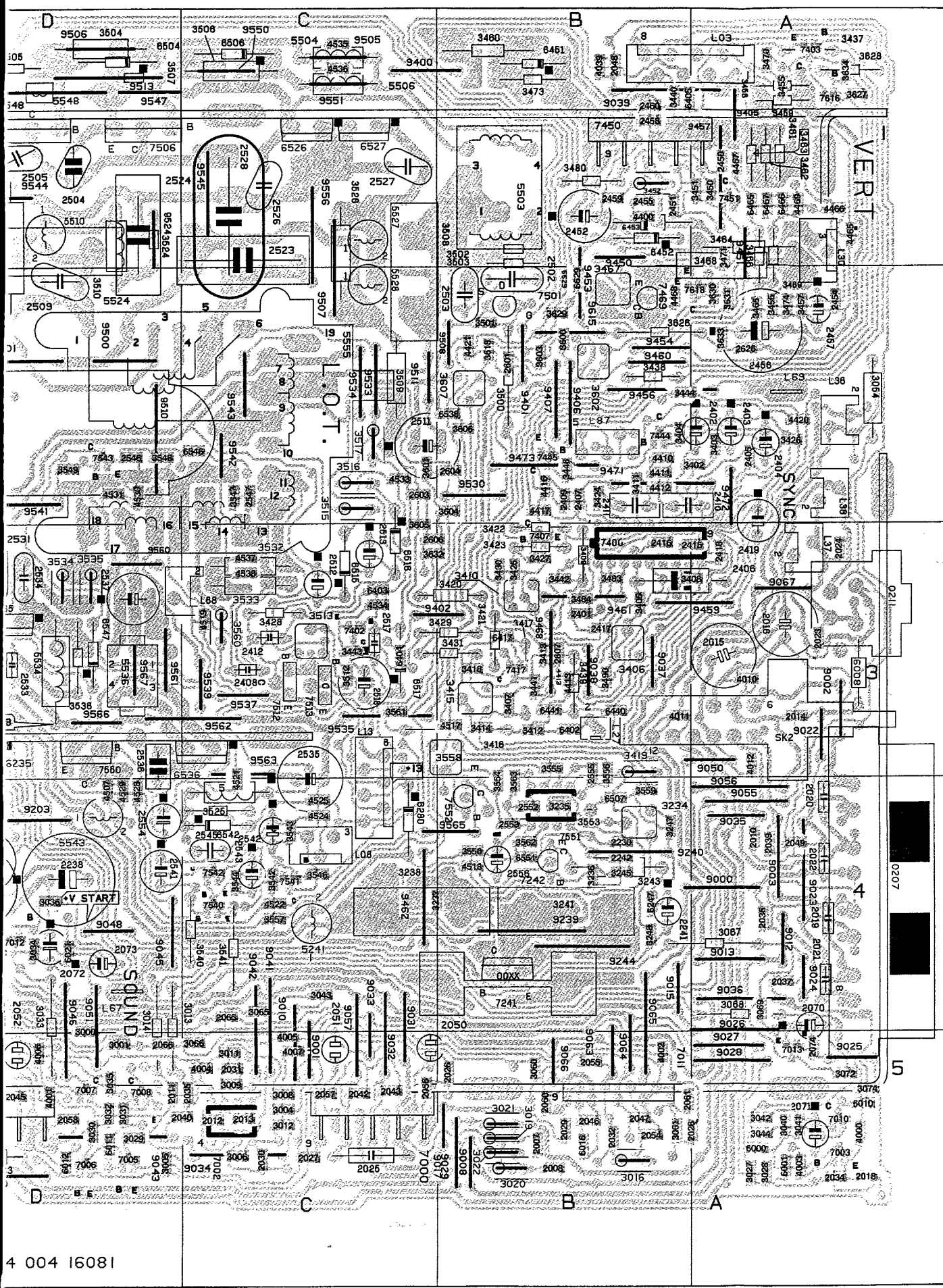


0209	B15	7001	F12
2001	A 3	7002	F 7
2002	D 3	7003	O13
2003	A 5	7005	G 5
2007	D14	7006	H 5
2008	D14	7007	H 3
2009	D 5	7008	G 4
2010	B14	7009	A 3
2011	I10	7010	N14
2012	I 7	7011	J12
2013	F 7	7012	H 3
2014	D14	7013	M16
2015	B16	9008	F14
2016	C16	9012	H16
2018	O13	9013	H16
2019	I16	9029	F14
2020	J16	9034	H 9
2021	L16	9043	G10
2022	K16	9052	I12
2023	B16	9053	F12
2024	D16	9055	E13
2025	A13		
2026	B10		
2027	C10		
2028	K10		
2029	L10		
2030	J 7		
2031	E 7		
2032	L13		
2033	F13		
2034	O12		
2035	E10		
2036	K16		
2037	M16		
2038	I 2		
2040	G10		
2041	H10		
2043	D13		
2045	I13		
2046	J13		
2047	M13		
2050	B11		
2051	C11		
2052	G11		
2053	H11		
2054	K14		
2055	M14		
2056	B11		
2057	D11		
2058	G11		
2059	H11		
2060	M11		
2061	K11		
2065	B 5		
2066	C 5		
2070	N15		
2071	N14		
2072	F 5		
2073	I 2		
2074	N16		
3000	B 5		
3001	C 5		
3004	G 6		
3005	H 6		
3006	J 7		
3009	E 7		
3011	G 9		
3012	H 9		
3013	E10		
3014	I10		
3016	K13		
3021	F14		
3022	F14		
3027	N12		
3028	N11		
3029	G 5		
3029	G 5		
3030	I 5		
3031	G 5		
3032	H 5		
3033	H 3		
3034	F 4		
3035	G 4		
3036	H 2		
3037	I 3		
3040	M14		
3041	N14		
3043	B 7		
3044	M15		
3049	C 2		
3050	B 2		
3051	A 5		
3052	D 4		
3053	E 3		
3054	G16		
3060	K 8		
3065	B 6		
3066	D 6		
3067	M16		
3068	O14		
3069	N16		
3072	M15		
3073	N17		
3074	N17		
4003	N12		
4004	G 9		
4007	J 8		
6000	N12		
6001	N12		
6008	B16		
6010	N14		
6011	G 5		
6012	H 5		
6016	J14		
6017	M12		
6021	F 5		
7006	A12		

CL36S32046/013, GREF 130593

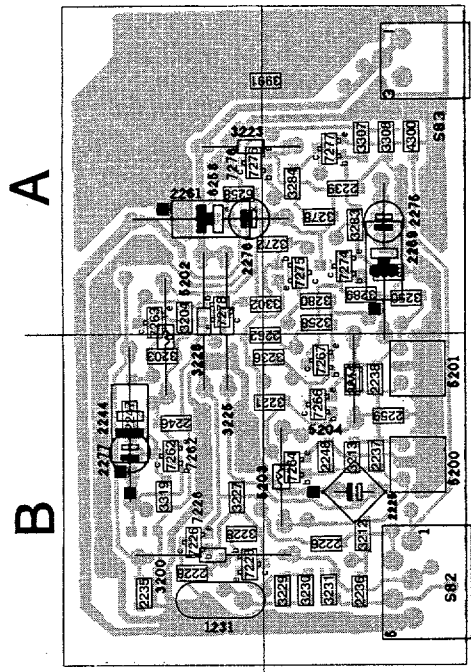
L01	F1	2072	D4	2524	D1	3214	E5	3421	B3	3548	D2	4538	C3	6417	B3	7380	E3	9045	D4	9406	B2
L02	E1	2073	D4	2526	C1	3215	E5	3422	B3	3549	D2	4520	H2	6440	B3	7381	E3	9046	D4	9407	B2
L03	A1	2074	A5	2527	C1	3216	F4	3423	B3	3550	B4	4520	F4	6441	B3	7384	E3	9047	E5	9450	B1
L08	C4	2200	H3	2528	C1	3220	G4	3424	B2	3553	B4	4521	E5	6451	B1	7400	B3	9048	D4	9451	A1
L13	C4	2202	G2	2529	F1	3230	F3	3425	B3	3554	B4	4523	E4	6452	B1	7402	C3	9050	A3	9453	B2
L27	B3	2203	H2	2530	F1	3234	B4	3426	A2	3555	B3	4523	E4	6453	B1	7403	A1	9051	D4	9454	B2
L28	G1	2210	F4	2531	D3	3235	B4	3427	B3	3556	B3	4527	E3	6465	A1	7407	B3	9052	D4	9456	B2
L30	A1	2211	F4	2533	D3	3236	B4	3428	C3	3557	C4	4524	C4	6466	A1	7417	B3	9053	D5	9457	A1
L31	E2	2214	G4	2534	D3	3237	C4	3429	B3	3558	B3	4525	F3	6467	A1	7444	B2	9054	D4	9459	A3
L33	G2	2215	G4	2535	C4	3238	C4	3430	B3	3559	B4	4526	E3	6480	F1	7445	B2	9055	A4	9460	B2
L34	G2	2216	G5	2536	D3	3239	D3	3431	B3	3560	C3	4526	E3	6481	F1	7450	A1	9056	A4	9461	B3
L35	G3	2218	F5	2537	D3	3240	E3	3437	A1	3561	C3	4530	H5	6504	D1	7451	A1	9057	C5	9462	C4
L36	A2	2219	F5	2541	D4	3241	B4	3438	B2	3562	B4	4531	H5	6506	C1	7469	B2	9058	G2	9468	B3
L37	A3	2230	B4	2542	C4	3243	B4	3439	B3	3563	B4	4531	E3	6507	B4	7480	F2	9059	G1	9471	B2
L38	A2	2231	E4	2543	C4	3245	B4	3440	B1	3600	B2	4553	B1	6515	C3	7481	E2	9060	G1	9472	A2
L39	F3	2232	E5	2545	C4	3246	E1	3441	B3	3601	C2	4550	C1	6516	C3	7501	B2	9063	B5	9473	B2
L40	E3	2233	E4	2546	D2	3247	B4	3442	B3	3602	B2	4550	C1	6517	C3	7504	D1	9064	B5	9500	D2
L61	G2	2234	E5	2547	C2	3248	B4	3443	C3	3603	B2	4551	D1	6519	E2	7506	D1	9065	B4	9501	D2
L62	E5	2235	D3	2552	B4	3249	F3	3444	B2	3604	B2	4511	D3	6520	E2	7512	C3	9066	B5	9504	D2
L65	G2	2236	D4	2553	B4	3250	F3	3446	B2	3605	C3	4514	F2	6526	C1	7513	C3	9067	A3	9505	C1
L67	D4	2237	E3	2554	D4	3251	F3	3450	A1	3606	B2	4520	E2	6527	F1	7530	F1	9068	G3	9506	D1
L68	C3	2238	D4	2555	B3	3252	F3	3451	A1	3607	B2	4521	E1	6529	F1	7540	C4	9200	E5	9507	C2
L69	A2	2240	D4	2556	B4	3253	F2	3452	B1	3608	F1	4522	E2	6535	D3	7541	C4	9201	F5	9508	B2
L80	G4	2241	B4	2600	F1	3255	F3	3455	A1	3609	F1	4524	D1	6536	C3	7542	C4	9202	D3	9510	D2
L87	B2	2242	B4	2601	B2	3266	F2	3456	A2	3610	F1	4525	C4	6538	B2	7543	D2	9203	D4	9511	C2
SK1	G3	2250	F3	2603	C2	3267	F2	3457	A2	3611	F1	4526	E1	6542	C4	7550	D3	9204	G2	9513	D1
SK2	B3	2254	F2	2604	B2	3268	G2	3458	A1	3612	E1	4527	C1	6546	C2	7551	B4	9205	H1	9521	E1
0207	A4	2255	F3	2605	F1	3270	F2	3459	A1	3614	F1	4528	C2	6547	D3	7552	B4	9206	H1	9522	E1
0211	A3	2258	F3	2606	C3	3271	F2	3460	B1	3615	F1	4534	D3	6551	B4	7601	F1	9207	G1	9524	D1
039	H5	2259	F3	2607	B3	3272	F2	3461	A1	3616	F1	4536	D3	6601	E1	7602	F1	9216	G2	9530	B2
040	H4	2260	E3	2609	F1	3273	G2	3462	A1	3617	F1	4543	D4	6629	B2	7603	F1	9217	G2	9533	C2
1200	G3	2261	E3	2610	F1	3274	G1	3463	A1	3618	B2	4548	D1	7000	C5	7608	F1	9218	H1	9534	C2
2001	G1	2262	E3	2611	F1	3275	G2	3464	A1	3619	F1	4555	D3	7001	D5	7610	E1	9219	E3	9535	C3
2002	G1	2263	E2	2613	F1	3298	F5	3465	A2	3620	F1	6000	A5	7002	C5	7616	A1	9220	G4	9537	C3
2003	G1	2270	G1	2614	F1	3299	F5	3466	A1	3621	E1	6001	A5	7003	A5	7618	A2	9221	G3	9539	C3
2004	G1	2272	G2	2626	A2	3300	H5	3467	B2	3622	E1	6008	A3	7005	D5	9000	A4	9222	F3	9541	D2
2005	G1	2302	H5	3000	D4	3304	H5	3468	A1	3623	E1	6010	A5	7006	D5	9001	C5	9223	F4	9542	C2
2007	B5	2303	H5	3001	D5	3305	H5	3469	A1	3624	E1	6011	D5	7007	D5	9002	A4	9224	F5	9543	C2
2008	B5	2308	H5	3004	C5	3306	F3	3470	A1	3625	E1	6012	D5	7008	D5	9003	A4	9225	E3	9544	D1
2009	G1	2321	H5	3005	D5	3308	H5	3471	A1	3626	B2	6016	B5	7009	G1	9008	B5	9228	E4	9545	C1
2010	A4	2323	H4	3006	C5	3309	H5	3473	B1	3627	A1	6017	E4	7010	A5	9010	C5	9229	H5	9547	D1
2011	D5	2351	H4	3008	C5	3310	H5	3474	A2	3628	A1	6021	D4	7011	B5	9012	A4	9230	F3	9548	D1
2012	C5	2360	H4	3009	C5	3311	H5	3479	F2	3629	B2	6201	F3	7012	D4	9013	A4	9231	E5	9549	E1
2013	C5	2361	H4	3011	C5	3312	H5	3480	B1	3630	A2	6210	G3	7013	A5	9015	B4	9232	E4	9550	C1
2014	A3	2365	H4	3012	C5	3313	H5	3481	F2	3631	A2	6211	F3	7201	F3	9017	B5	9233	F2	9551	C1
2015	A3	2372	H4	3013	D4	3314	H5	3482	F2	3632	C3	6212	F4	7216	G5	9020	D5	9234	F1	9552	F1
2016	A3	2374	H4	3014	D4	3317	H5	3483	B3	3633	A2	6213	F4	7241	B4	9022	A3	9235	E4	9556	C1
2018	A5	2376	H4	3016	B5	3320	H5	3484	B3	3634	A1	6216	F5	7242	B4	9023	A4	9236	F1	9557	E2
2019	A4	2380	E3	3019	B5	3321	H5	3485	E2	4000	A5	6220	G4	7246	E1	9024	A4	9237	F1	9560	D3
2020	A4	2381	E3	3020	B5	3322	H5	3490	B3	4001	D5	6221	G5	7250	F3	9025	A5	9238	G3	9561	D3
2021	A4	2382	E3	3021	B5	3331	H4	3500	B2	4002	B5	6230	E4	7251	F3	9026	A4	9239	B4	9562	C3
2022	A4	2386	E3	3022	B5	3332	H4	3501	B2	4003	A5	6231	E4	7268	F2	9027	A5	9240	B4	9563	C3
2023	A3	2401	B3	3027	A5	3350	H4	3502	B1	4004	C5	6232	E4	7270	F2	9028	A5	9241	E3	9565	B4
2024	A3	2402	A2	3028	A5	3351	H4	3503	B1	4005	C5	6233	E4	7272	G2	9029	B5	9242	G2	9566	D3
2025	C5	2403	A2	3029	D5	3356	H4	3504	D1	4006	D5	6235	D3	7273	F2	9031	C4	9243	E3	9567	D3
2026	B5	2404	A2	3030	D5	3357	H4	3505	D1	4007	C5	6237	E3	7274	G1	9032	C5	9244	B4	9601	E1
2027	C5	2405	A2	3031	D5	3358	H4	3506	C1	4010	A3	6238	E3	7305	H5	9033	C5	9246	E1	9614	E2
2028	B5	2406	B3	3032	D5	3360	H4	3507	D1	4011	B3	6247	B4	7311	H5	9034	C5	9250	F2	9615	B2
2029	B5	2407	B2	3033	D4	3362	H4	3508	C2	4012	A3	6251	F3	7312	H5	9035	A4	9251	F2		
2030	C5	2408	C3	3034	D4	3364	H4	3509	G2	4019	E3	6260	E3	7318	H5	9036	A4	9300	H5		
2031	C5	2409	B2	3035	D5	3365	H4	3510	D1	4039	B1	6262	E3	7320	H4	9037	B3	9302	H4		
2032	B5	2410	B2	3036	D4	3366	H4	3512	C3	4274	G2	6266	F2	7321	F3	9038	B3	9385	E2		
2033	D5	2411	B2	3037	D4	3368	H4	3513	C3	4400	B1	6272	G2	7360	H4	9039	B1	9400	C1		
2034	A5	2412	C3	3040	A5	3369	H4	3514	F2	4410	B2	6280	C4	7369	H4	9041	C4	9401	B2		
2035	C5	2415	A3	3041	A5	3370	H4	3515	C2	4411	B2	6302	H5	7370	H4	9042	C4	9402	B3		
2036	A4	2416	B3	3042	A5	3371	H4	3516	C2	4412	B2	6303	H5	7371	H4	9043	D5	9405	A1		
2037	A4	2417	B3	3043	C4	3372	H4	3517	C2	4413	B3	6304	H5								
2038	D4	2418	A3	3044	A5	3374	H4	3518	E2	4415	E2	6305	H5								
2039	A4	2419	A2	3049	G1	3375	H4	3519	E2	4416	B2	6306	F3								
2040	D5	2450	A1	3050	G1	3376	E3	3520	E2	4417	B2	6308	H5								
2041	D5	2451	B1	3051	G1	3378	H4	3521	E2	4420	A2	6312	H5								
2042	C5	2452	B1	3052	G1	3380	E3	3522	E2	4421	B2	6314	H5								
2043	C5	2454	A2	3053	G1	3381	E3	3524	D1	4465	A1	6315	H5								
2044	D5	2455	B1	3054	A2	3382	E3	3525	C4	4466	A1	6318	H5								

Platine forts signaux FL X.16/17 /

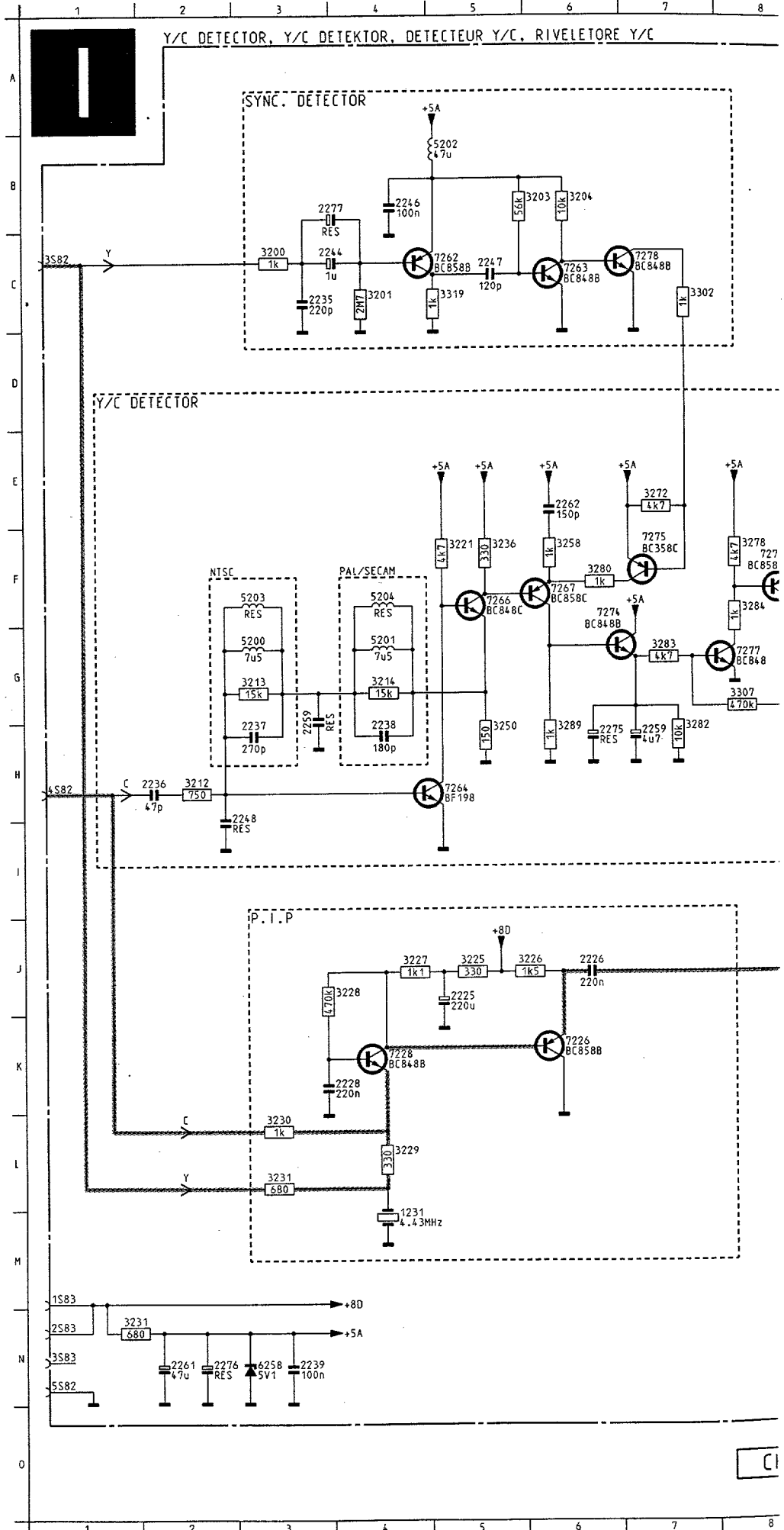


4 004 16081

Y - C Detector / Y - C Detektor / Détecteur Y - C

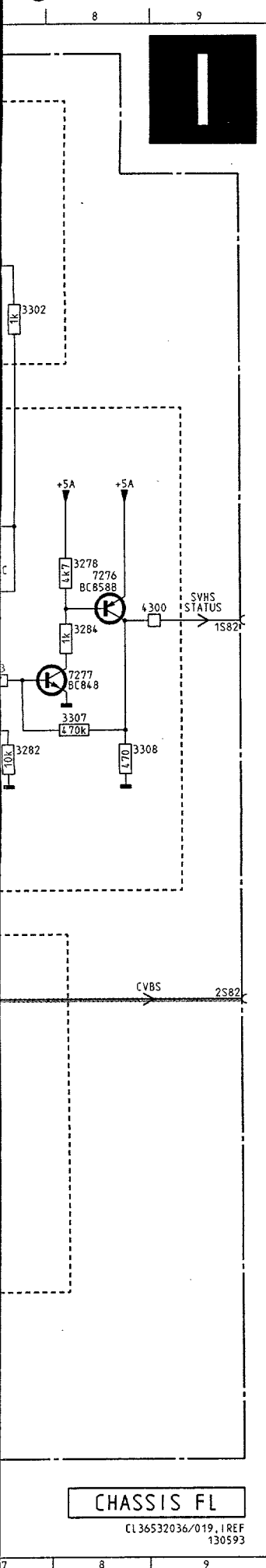


S82 B2	2239 A2	2278 A1	3221 B2	3250 A2
S83 A2	2244 B1	2277 B1	3223 A1	3258 B2
1231 B1	2246 B1	3190 A2	3225 A1	3272 A2
2225 B2	2247 B1	3200 B1	3226 A1	3278 A2
2228 B2	2248 B2	3201 A1	3227 B1	3280 A2
2228 B1	2259 B2	3203 B1	3228 B1	3282 A2
2235 B1	2261 A1	3204 A1	3229 B2	3283 A2
2236 B2	2262 B2	3212 B2	3230 B2	3284 A2
2237 B2	2269 A2	3213 B2	3231 B2	3289 A2
2238 B2	2275 A2	3214 B2	3236 B2	3302 A2
3307 A2	6258 A1	7276 A1		
3308 A2	7226 B1	7277 A2		
3319 B1	7228 B1	7278 A1		
3951 A2	7262 B1			
4300 A2	7263 A1			
5200 B2	7264 B2			
5201 B2	7266 B2			
5202 B1	7267 B2			
5203 B2	7274 A2			
5204 B2	7275 A2			

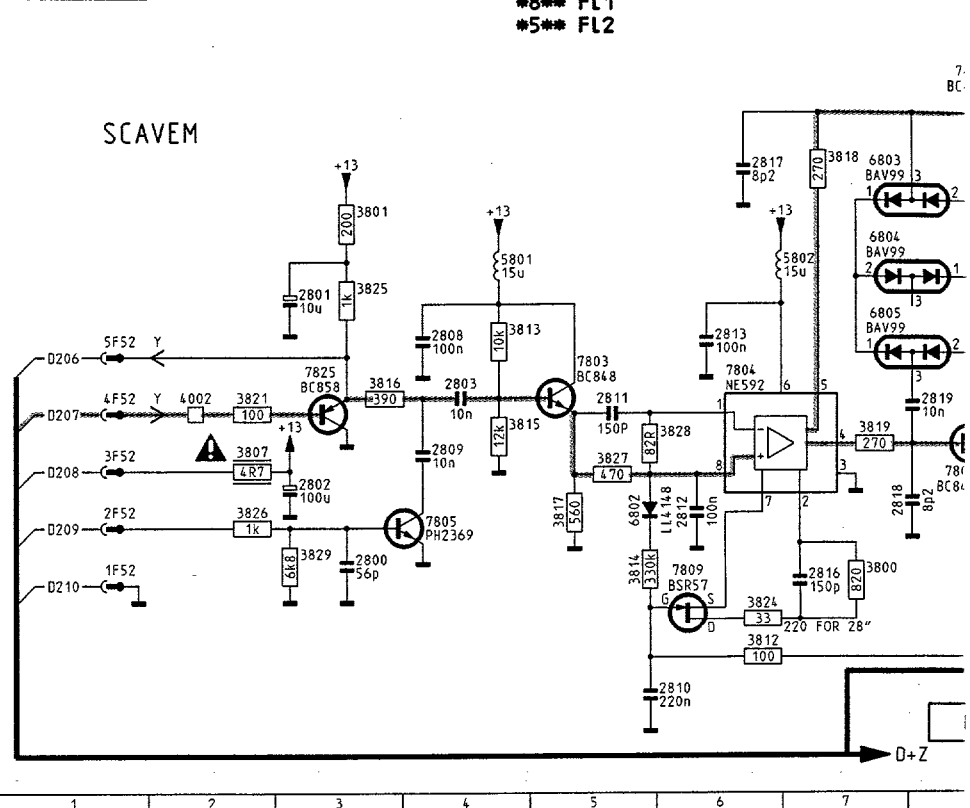
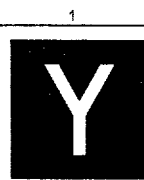


- C

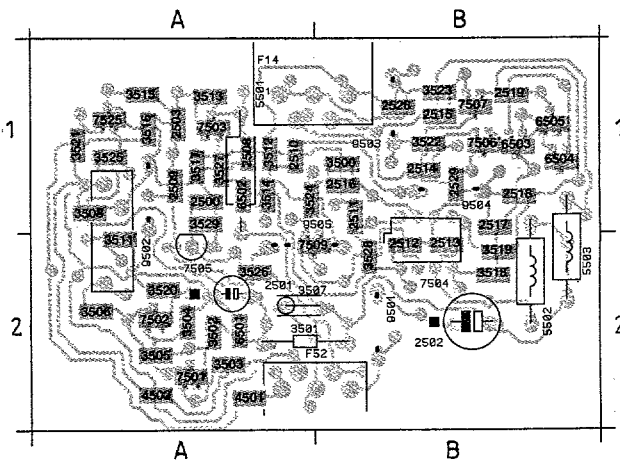
SCAVEM



- 1231 M 4
- 2225 J 5
- 2226 J 6
- 2228 K 3
- 2235 C 3
- 2236 H 2
- 2237 H 3
- 2238 H 4
- 2239 N 3
- 2244 C 4
- 2246 B 4
- 2247 C 5
- 2248 I 2
- 2259 G 3
- 2259 H 7
- 2261 N 2
- 2262 E 6
- 2275 H 6
- 2276 N 2
- 2277 B 4
- 2280 C 3
- 2281 C 4
- 2283 B 5
- 2284 B 6
- 2285 H 2
- 2286 G 3
- 2287 G 4
- 2288 F 5
- 2289 J 5
- 2290 J 5
- 2291 J 4
- 2292 J 4
- 2293 L 4
- 2294 L 3
- 2295 L 3
- 2296 N 1
- 2297 F 5
- 2298 G 5
- 2299 F 6
- 2300 E 7
- 2301 F 8
- 2302 F 6
- 2303 G 7
- 2304 G 7
- 2305 F 8
- 2306 G 6
- 2307 C 7
- 2308 G 8
- 2309 G 8
- 2310 C 5
- 2311 F 9
- 2312 G 3
- 2313 G 4
- 2314 B 5
- 2315 F 3
- 2316 F 4
- 2317 N 3
- 2318 K 6
- 2319 K 4
- 2320 C 5
- 2321 C 6
- 2322 H 5
- 2323 F 5
- 2324 F 6
- 2325 F 6
- 2326 F 7
- 2327 F 8
- 2328 G 8
- 2329 C 7

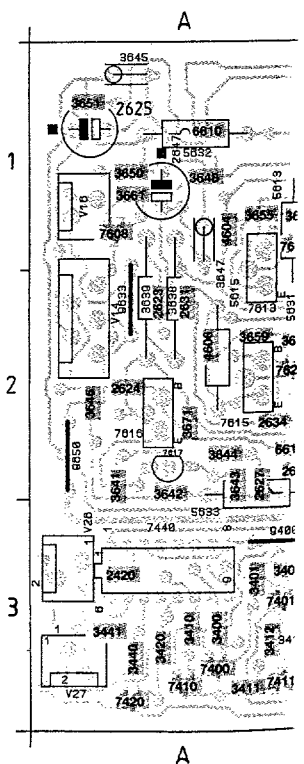


•8** FL1
 •5** FL2



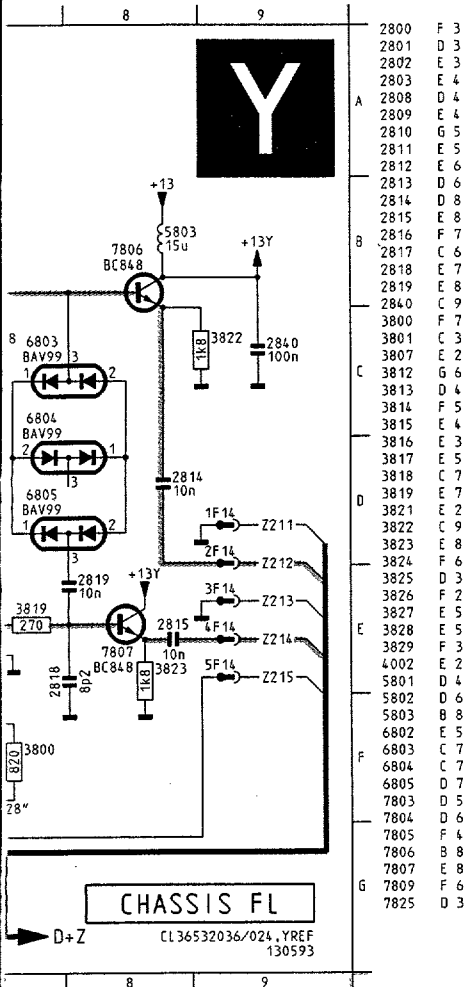
- F14 B1 2509 A1 2517 B1 3503 A2 3513 A1
- F52 A2 2510 A1 2518 B1 3504 A2 3514 A1
- 1501 A1 2511 B1 2519 B1 3505 A2 3515 A1
- 2500 A1 2512 B2 2528 B1 3506 A2 3516 A1
- 2501 A2 2513 B2 2529 B1 3507 A2 3517 A1
- 2502 B2 2514 B1 3500 B1 3508 A1 3518 B2
- 2503 A1 2515 B1 3501 A2 3511 A1 3519 B2
- 2508 A1 2516 B1 3502 A2 3512 A1 3520 A2

- V2 B3 2630 B1 3424 B3 3638 A2 3671 A2 7410 A3 7620 B2
- V14 A2 2631 A2 3425 B3 3639 A2 4600 B2 7411 A3 7621 A2
- V15 B2 2632 B1 3426 B3 3641 A2 4603 B1 7420 A3 9400 A3
- V16 A1 2633 B1 3430 B3 3642 A2 4604 A1 7421 B3 9401 B3
- V26 A3 2634 A2 3431 B3 3643 A2 4605 B2 7423 B3 9615 B1
- V27 A3 2635 A2 3432 B3 3644 A2 4606 A2 7425 B3 9633 A2
- V90 B2 2636 B1 3433 B3 3645 A1 4612 A2 7430 B3 9640 B2
- 2420 A3 2637 A2 3434 B3 3646 A2 5612 B1 7431 B3 9650 A2
- 2490 B3 2647 A1 3435 B3 3647 A1 5613 A1 7433 B3 9651 B1
- 2491 B3 2671 B2 3440 A3 3648 A1 5614 B2 7435 B3
- 2604 B2 2672 B2 3441 A3 3650 A1 5615 A2 7440 A3
- 2605 B1 3400 A3 3490 B3 3651 A1 5630 B2 7608 A1
- 2606 B2 3401 A3 3491 B3 3652 B1 5631 B2 7610 B1
- 2607 B2 3402 A3 3609 B2 3653 B1 5632 A1 7611 B1
- 2620 B1 3410 A3 3610 B2 3654 A1 5633 A2 7612 B2
- 2621 B1 3411 A3 3630 B1 3655 A1 6426 B3 7613 A2
- 2622 B2 3412 A3 3631 B1 3656 B2 6427 B3 7614 B2
- 2623 A2 3413 A3 3633 B1 3657 B2 6490 B3 7615 A2
- 2624 A2 3420 A3 3634 B1 3658 A2 6610 A1 7616 A2
- 2625 A1 3421 A3 3635 B1 3659 A2 6616 A2 7617 A2
- 2626 B1 3422 A3 3636 B1 3661 A1 7400 A3 7618 B1
- 2627 A2 3423 B3 3637 B2 3670 B1 7401 A3 7619 A1

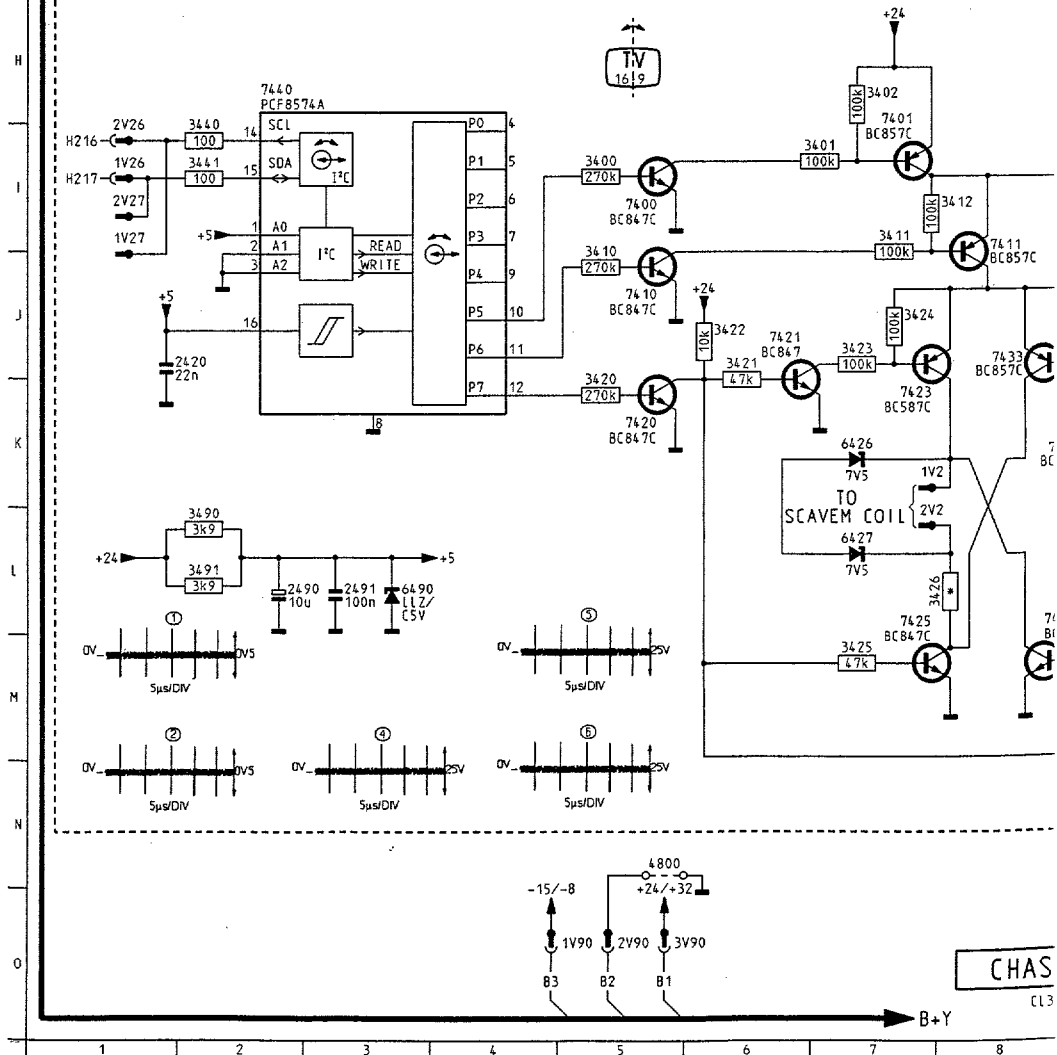
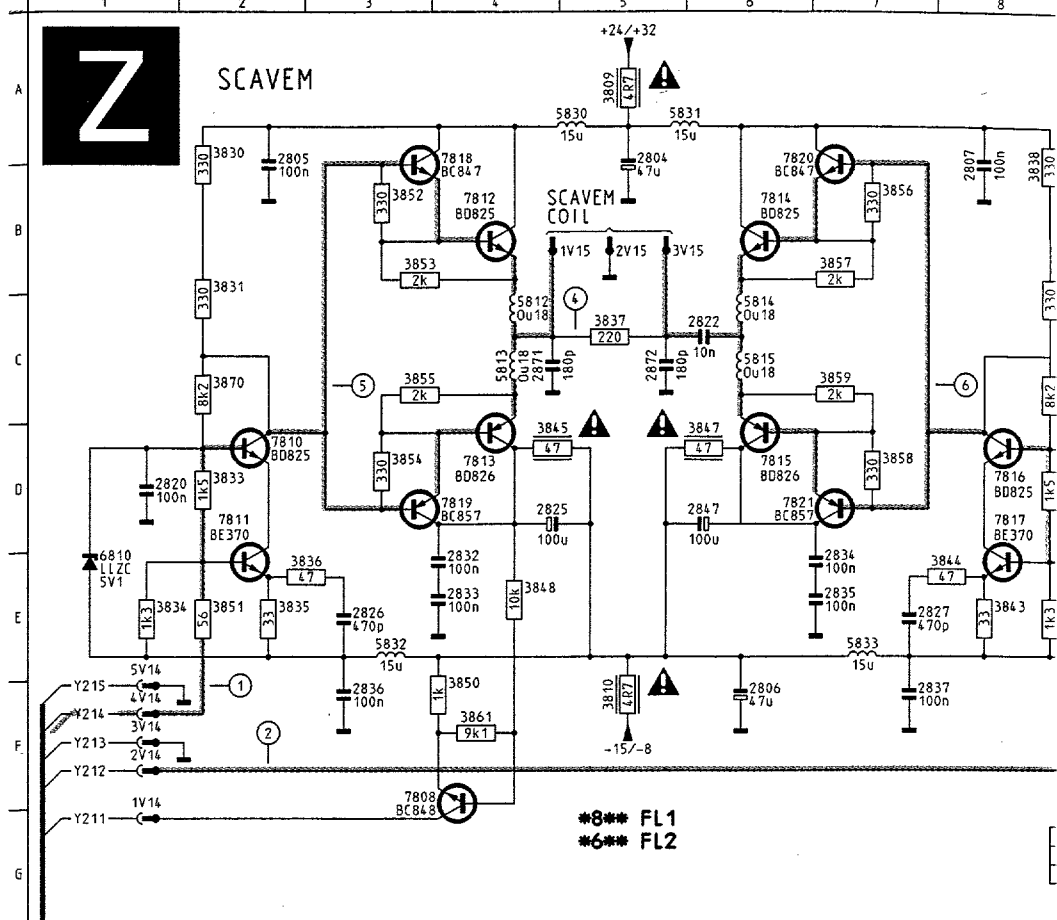
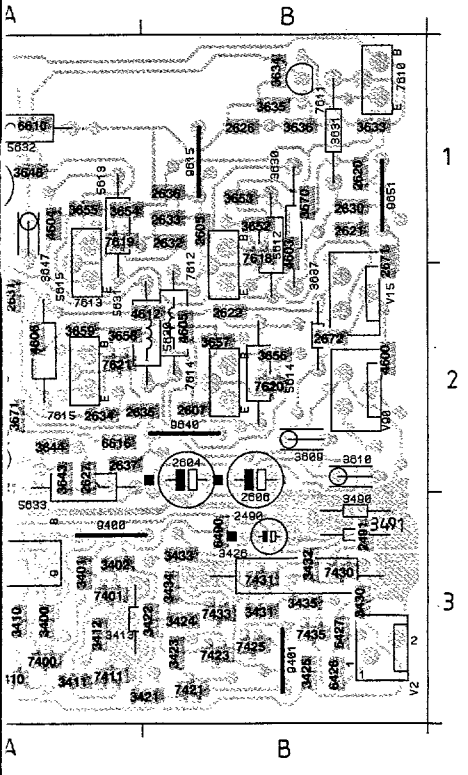


CHASSIS FL
 C136532036/019, 1 REF
 130593

SCAVEM

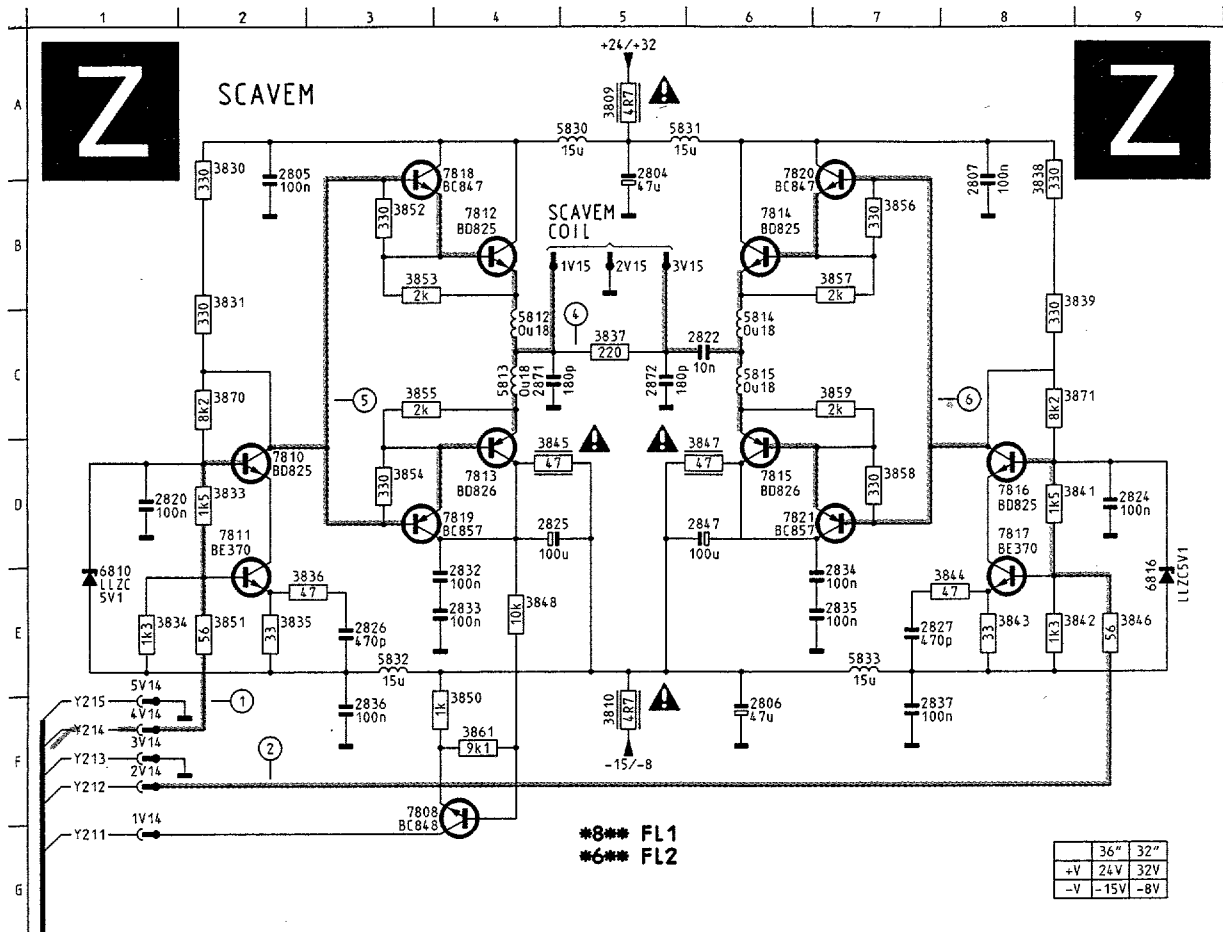


A2	3513	A1	3521	A1	7507	B1	4501	A2	6504	B1
A2	3514	A1	3522	B1	7509	B2	4502	A2	6505	B1
A2	3515	A1	3523	B1	7525	A1	5501	A1	7501	A2
A2	3516	A1	3524	A1	9501	B2	5502	B2	7502	A2
A2	3517	A1	3525	A1	9502	A1	5503	B2	7503	A1
A1	3518	B2	3526	A2	9503	B1	6501	A2	7504	B2
A1	3519	B2	3527	A1	9504	B1	6502	A1	7505	A2
A1	3520	A2	3528	B2	9505	A2	6503	B1	7506	B1
			3529	A1						



SCAVEM

2800 F 3
 2801 D 3
 2802 E 3
 2803 E 4
 2808 D 4
 2809 E 4
 2810 G 5
 2811 E 5
 2812 E 6
 2813 D 6
 2814 D 8
 2815 E 8
 2816 F 7
 2817 C 6
 2818 E 7
 2819 E 8
 2840 C 9
 3800 F 7
 3801 C 3
 3807 E 2
 3812 G 6
 3813 D 4
 3814 F 5
 3815 E 4
 3816 E 3
 3817 E 5
 3818 C 7
 3819 E 7
 3821 E 2
 3822 C 9
 3823 E 8
 3824 F 6
 3825 D 3
 3826 F 2
 3827 E 5
 3828 E 5
 3829 F 3
 4002 E 2
 5801 D 4
 5802 D 6
 5803 B 8
 6802 E 5
 6803 C 7
 6804 C 7
 6805 D 7
 7803 D 5
 7804 D 6
 7805 F 4
 7806 B 8
 7807 E 6
 7809 F 8
 7825 D 3

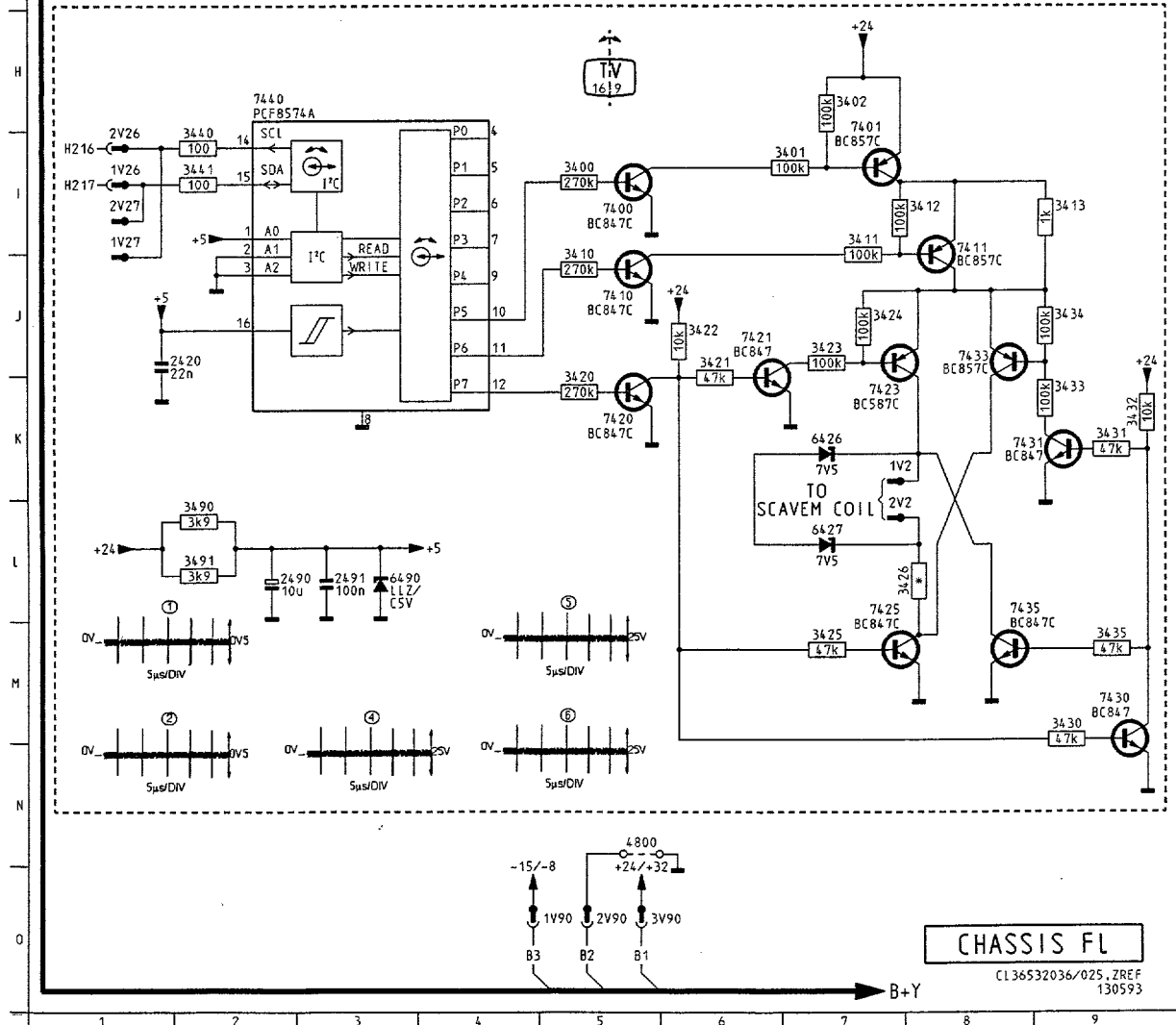


2420 J 1
 2490 L 2
 2491 L 3
 2804 B 5
 2805 B 2
 2806 F 6
 2807 B 8
 2820 D 1
 2822 C 6
 2824 D 9
 2825 E 4
 2826 F 3
 2827 E 7
 2832 E 4
 2833 E 7
 2834 E 4
 2835 E 7
 2836 F 3
 2837 F 7
 2847 D 6
 2871 C 4
 2872 C 5
 3400 I 5
 3401 I 6
 3402 H 7
 3410 J 5
 3411 I 7
 3412 I 7
 3413 I 9
 3420 K 5
 3421 J 6
 3422 J 6
 3423 J 7
 3424 J 7
 3425 M 7
 3426 L 7
 3430 M 9
 3431 K 9
 3432 K 9
 3434 J 9
 3435 M 9
 3440 I 1
 3441 I 1
 3490 L 2
 3491 L 2
 3809 A 5
 3810 F 5
 3830 A 2
 3831 B 2
 3833 D 2
 3834 E 1
 3835 E 2
 3836 E 3
 3837 C 5
 3838 B 8
 3839 B 8
 3841 D 8
 3842 E 8
 3843 E 8
 3844 E 8
 3845 D 4
 3846 E 9
 3847 D 6
 3848 E 4
 3850 E 4
 3851 E 2
 3852 B 3
 3853 D 3
 3855 C 7
 3856 B 3
 3857 B 7
 3858 D 7
 3859 C 7
 3861 F 4
 3870 C 2
 3871 C 8
 4800 N 5
 5812 C 4
 5813 C 4
 5814 C 6
 5815 C 6
 5830 A 5
 5831 A 5
 5832 E 3
 5833 E 7
 6426 K 7
 6427 L 7
 6490 L 3
 6810 E 1
 6816 E 9
 7400 I 5
 7401 I 7
 7410 J 5
 7411 J 8
 7420 K 5
 7421 J 6
 7423 K 7
 7425 L 7
 7430 M 9
 7431 K 9
 7433 J 8
 7435 L 8
 7440 H 2
 7808 F 4
 7810 D 2
 7811 D 2
 7812 B 4
 7813 D 4
 7814 B 6
 7815 D 6
 7816 D 8
 7817 D 8
 7818 B 4
 7819 D 4

*8** FL1
 *6** FL2

+V	36"	32"
-V	24V	32V
	-15V	-8V

6504 B1
 6505 B1
 7501 A2
 7502 A2
 7503 A1
 7504 B2
 7505 A2
 7506 B1



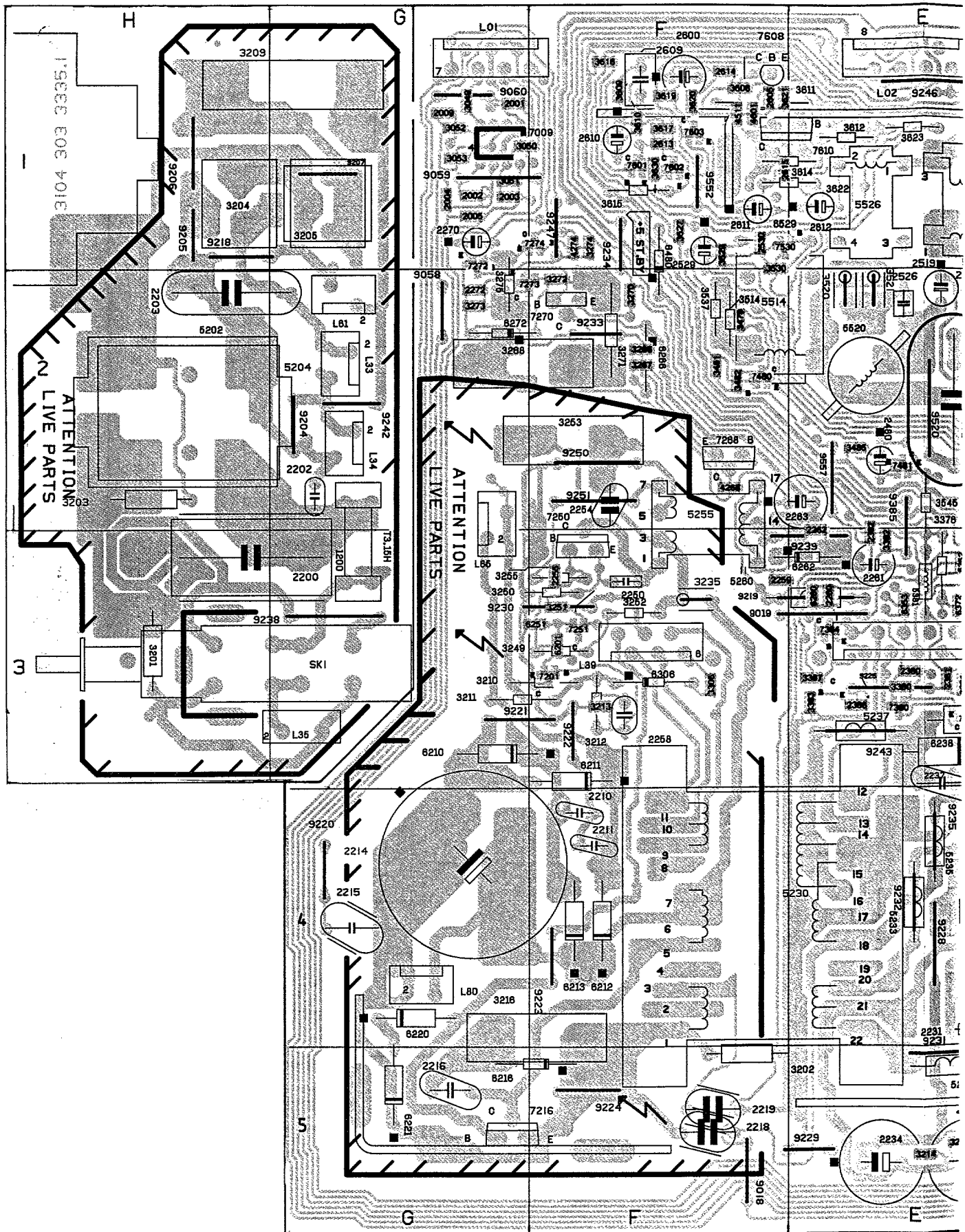
2420 J 1
 2490 L 2
 2491 L 3
 2804 B 5
 2805 B 2
 2806 F 6
 2807 B 8
 2820 D 1
 2822 C 6
 2824 D 9
 2825 E 4
 2826 F 3
 2827 E 7
 2832 E 4
 2833 E 7
 2834 E 4
 2835 E 7
 2836 F 3
 2837 F 7
 2847 D 6
 2871 C 4
 2872 C 5
 3400 I 5
 3401 I 6
 3402 H 7
 3410 J 5
 3411 I 7
 3412 I 7
 3413 I 9
 3420 K 5
 3421 J 6
 3422 J 6
 3423 J 7
 3424 J 7
 3425 M 7
 3426 L 7
 3430 M 9
 3431 K 9
 3432 K 9
 3434 J 9
 3435 M 9
 3440 I 1
 3441 I 1
 3490 L 2
 3491 L 2
 3809 A 5
 3810 F 5
 3830 A 2
 3831 B 2
 3833 D 2
 3834 E 1
 3835 E 2
 3836 E 3
 3837 C 5
 3838 B 8
 3839 B 8
 3841 D 8
 3842 E 8
 3843 E 8
 3844 E 8
 3845 D 4
 3846 E 9
 3847 D 6
 3848 E 4
 3850 E 4
 3851 E 2
 3852 B 3
 3853 D 3
 3854 D 3
 3855 C 7
 3856 B 3
 3857 B 7
 3858 D 7
 3859 C 7
 3861 F 4
 3870 C 2
 3871 C 8
 4800 N 5
 5812 C 4
 5813 C 4
 5814 C 6
 5815 C 6
 5830 A 5
 5831 A 5
 5832 E 3
 5833 E 7
 6426 K 7
 6427 L 7
 6490 L 3
 6810 E 1
 6816 E 9
 7400 I 5
 7401 I 7
 7410 J 5
 7411 J 8
 7420 K 5
 7421 J 6
 7423 K 7
 7425 L 7
 7430 M 9
 7431 K 9
 7433 J 8
 7435 L 8
 7440 H 2
 7808 F 4
 7810 D 2
 7811 D 2
 7812 B 4
 7813 D 4
 7814 B 6
 7815 D 6
 7816 D 8
 7817 D 8
 7818 B 4
 7819 D 4

CHASSIS FL

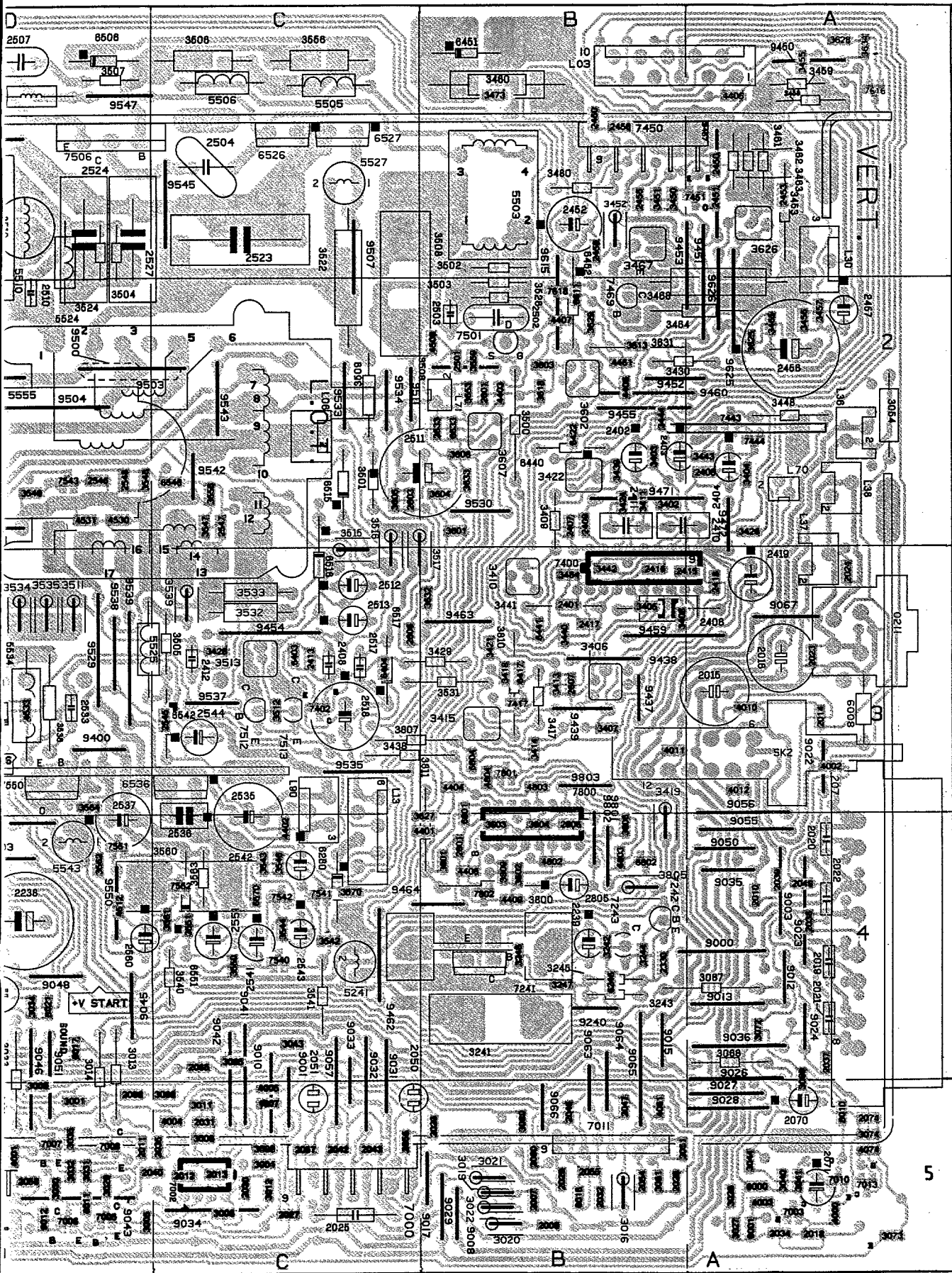
CI 36532036/025_ZREF
 130593

L01	F1	2203	H2	2529	F1	3235	F3	3439	B2	3573	D1	5505	C1	6611	B2	7381	E3	9018	F5	9206	H1	9460	B2
L02	E1	2210	F4	2530	F1	3238	D3	3440	B3	3601	B2	5506	C1	6633	B2	7384	E3	9019	E3	9207	G1	9462	C4
L03	A1	2211	F4	2531	D3	3239	D3	3441	B3	3602	B2	5507	D1	6801	B3	7400	B3	9020	D5	9218	H1	9463	B3
L06	C2	2214	G4	2533	D3	3240	E3	3442	B3	3603	B2	5510	D1	6802	B4	7402	C3	9022	A3	9219	E3	9464	B4
L13	C4	2215	G4	2534	D3	3241	B4	3443	A2	3604	B2	5511	D3	6803	B4	7417	B3	9023	A4	9220	G4	9471	B2
L30	A1	2216	G5	2535	C4	3242	B4	3444	B2	3605	C2	5514	F2	6804	B3	7443	A2	9024	A4	9221	G3	9472	A2
L32	E2	2218	F5	2536	C4	3243	B4	3448	A2	3606	B2	5520	E2	7000	C5	7444	A2	9026	A4	9222	F3	9500	D2
L33	G2	2219	F5	2537	D4	3244	B4	3450	B1	3607	B2	5521	E1	7001	D5	7450	A1	9027	A5	9223	F4	9501	D2
L34	G2	2231	E4	2541	C4	3245	B4	3451	B1	3608	F1	5524	D1	7002	C5	7451	A1	9028	A5	9224	F5	9502	D2
L35	G3	2232	E5	2542	C4	3246	E1	3452	B1	3609	F1	5525	D3	7003	A5	7469	B2	9029	B5	9225	E3	9503	D2
L36	A2	2233	E4	2543	C4	3247	B4	3453	A1	3610	F1	5526	E1	7005	D5	7480	F2	9031	C4	9228	E4	9504	D2
L37	A3	2234	E5	2544	C3	3248	B4	3455	A1	3611	F1	5527	C1	7006	D5	7481	E2	9032	C5	9229	E5	9507	C1
L38	A2	2235	D3	2545	C3	3249	F3	3456	A2	3612	E1	5534	D3	7007	D5	7501	B2	9033	C4	9230	F3	9508	B2
L39	F3	2237	E3	2546	D2	3250	F3	3457	A2	3613	B2	5543	D4	7008	D5	7506	D1	9034	C5	9231	E5	9511	C2
L40	E3	2238	D4	2547	C2	3251	F3	3458	A1	3614	E1	5555	D3	7009	G1	7512	C3	9035	A4	9232	E4	9520	E2
L61	G2	2239	B4	2548	D2	3252	F3	3459	A1	3615	F1	6000	A5	7010	A5	7513	C3	9036	A4	9233	F2	9521	D1
L65	G2	2240	D4	2551	C4	3253	F2	3460	B1	3616	F1	6001	A5	7011	B5	7530	F1	9041	C4	9234	F1	9522	E2
L70	A2	2250	F3	2560	D4	3255	F3	3461	A1	3617	F1	6008	A3	7012	D4	7540	C4	9042	C4	9235	E4	9529	D3
L71	B2	2254	F2	2600	F1	3266	F2	3462	A1	3618	B2	6010	A5	7013	A5	7541	C4	9043	D5	9238	G3	9530	B2
L80	G4	2255	F3	2601	B2	3267	F2	3463	A1	3619	F1	6011	D5	7201	F3	7542	C4	9045	D4	9239	E3	9533	C2
L90	C3	2258	F3	2603	C2	3268	G2	3464	A2	3620	F1	6012	D5	7216	G5	7543	D2	9046	D4	9240	B4	9534	C2
SK1	G3	2259	F3	2605	F1	3270	F2	3465	A2	3621	F1	6016	B5	7241	B4	7550	D3	9047	E5	9241	E3	9535	C3
SK2	B3	2260	E3	2606	C3	3271	F2	3467	B1	3622	E1	6017	D4	7241	C4	7551	D4	9048	D4	9242	G2	9537	C3
0211	A3	2261	E3	2607	B3	3272	F2	3468	A2	3623	E1	6021	D4	7242	B4	7552	C4	9050	A4	9243	E3	9538	D3
039	H5	2262	E3	2609	F1	3273	G2	3473	B1	3625	A2	6201	F3	7243	B4	7601	F1	9051	D4	9246	E1	9539	D3
040	H4	2263	E2	2610	F1	3274	F1	3479	F2	3626	A1	6210	G3	7246	E1	7602	F1	9052	D5	9247	F1	9540	D4
1200	G3	2270	G1	2611	F1	3275	G2	3480	B1	3627	B4	6211	F3	7250	F3	7603	F1	9053	D5	9250	F2	9541	D2
2001	G1	2272	G2	2612	E1	3298	F5	3481	F2	3628	A1	6212	F4	7251	F3	7608	F1	9054	D4	9251	F2	9542	C2
2002	G1	2302	H5	2613	F1	3299	F5	3482	F2	3629	B2	6213	F4	7268	F2	7610	E1	9055	A4	9300	H5	9543	C2
2003	G1	2303	H5	2614	F1	3300	H5	3484	B3	3630	F1	6216	F5	7270	F2	7616	A1	9056	A3	9302	H4	9544	D1
2004	G1	2308	H5	2615	F1	3304	H5	3485	E2	3631	B2	6220	G4	7272	G1	7618	B2	9057	C5	9385	E2	9545	C1
2005	G1	2321	H5	2633	B5	3305	H5	3500	B2	3632	B3	6221	G5	7273	F2	7800	B4	9058	G2	9400	D3	9547	D1
2007	B5	2330	B4	2801	B4	3306	F3	3501	C2	3633	B2	6230	E4	7274	F1	7801	B3	9059	G1	9437	B3	9549	E1
2008	B5	2331	H4	2805	B4	3308	H5	3502	B1	3634	A1	6232	E4	7305	H5	7802	B4	9060	G1	9438	B3	9550	D4
2009	G1	2351	H4	2806	B4	3309	H5	3503	B2	3653	B2	6235	D3	7311	H5	9000	A4	9063	B5	9439	B3	9552	F1
2010	A4	2360	H4	3000	D5	3310	H5	3504	D1	3800	B4	6237	E3	7312	H5	9001	C5	9064	B5	9450	A1	9557	E2
2011	D5	2361	H4	3001	D5	3311	H5	3505	C3	3801	B4	6238	E3	7318	H5	9003	A4	9065	B4	9451	A2	9614	E2
2012	C5	2365	H4	3004	C5	3312	H5	3506	C1	3802	B4	6246	B4	7320	H4	9008	B5	9066	B5	9452	B2	9615	B2
2013	C5	2372	H4	3005	D5	3313	H5	3507	D1	3803	B4	6251	F3	7360	H4	9010	C5	9067	A3	9453	A1	9625	A2
2014	A3	2374	H4	3006	C5	3314	H5	3508	C2	3804	B4	6260	E3	7369	H4	9012	A4	9202	D3	9454	C3	9626	A2
2015	A3	2376	H4	3008	C5	3317	H5	3509	C2	3805	B4	6262	E3	7370	H4	9013	A4	9203	D4	9455	B2	9801	B4
2016	A3	2380	E3	3009	C5	3320	H5	3510	D1	3806	B4	6266	F2	7371	H4	9015	B4	9204	G2	9457	A1	9802	B4
2018	A5	2381	E3	3011	C5	3321	H5	3511	D3	3807	C3	6272	G2	7380	E3	9017	B5	9205	H1	9459	B3	9803	B3
2019	A4	2382	E3	3012	C5	3322	H5	3512	C3	3809	B4	6280	C4										
2020	A4	2386	E3	3013	D4	3331	H4	3513	C3	3810	B3	6302	H5										
2021	A4	2401	B3	3014	D4	3332	H4	3514	F2	3811	B4	6303	H5										
2022	A4	2402	B2	3016	B5	3350	H4	3515	C3	4000	A5	6304	H5										
2023	A3	2403	B2	3019	B5	3351	H4	3516	C3	4001	D5	6305	H5										
2024	A3	2404	A2	3020	B5	3356	H4	3517	C3	4002	A3	6306	F3										
2025	C5	2405	A2	3021	B5	3357	H4	3518	D2	4003	A5	6308	H5										
2026	B5	2406	B3	3022	B5	3358	H4	3519	E2	4004	C5	6312	H5										
2027	C5	2407	B2	3027	A5	3359	H4	3520	E2	4005	C5	6314	H5										
2028	B5	2408	C3	3028	A5	3360	H4	3521	E2	4006	D5	6315	H5										
2029	B5	2409	B2	3029	D5	3362	H4	3522	C1	4007	C5	6318	H5										
2030	C5	2410	B2	3030	D5	3364	H4	3523	D1	4010	A3	6319	H5										
2031	C5	2411	B2	3031	D5	3365	H4	3524	D1	4011	B3	6331	H4										
2032	B5	2412	C3	3032	D5	3366	H4	3525	E2	4012	A3	6349	H4										
2033	D5	2413	C3	3033	D4	3368	H4	3526	B2	4061	B5	6350	H4										
2034	A5	2415	A3	3034	D4	3370	H4	3527	F1	4074	A5	6351	H4										
2035	C5	2416	B3	3035	D5	3371	H4	3528	D3	4268	F2	6352	E3										
2036	A4	2417	B3	3036	D4	3372	H4	3529	F1	4274	F1	6353	E3										
2037	A4	2418	A3	3037	D4	3373	H4	3530	F1	4401	B4	6355	H4										
2038	D4	2419	A3	3040	A5	3374	H4	3531	B3	4402	C4	6356	H4										
2039	A4	2450	A1	3041	A5	3375	H4	3532	C3	4403	B2	6357	H4										
2040	D5	2451	A1	3043	C4	3376	E3	3533	C3	4404	B3	6370	H4										
2041	D5	2452	B1	3044	A5	3378	H4	3534	D3	4405	A1	6371	H4										
2042	C5	2453	A1	3049	G1	3380	E3	3535	D3	4406	B2	6372	E3										
2043	C5	2455	B1	3050	G1	3381	E3	3536	D3	4407	B2	6373	E3										
2044	D5	2456	A2	3051	G1	3382	E3	3537	F2	4408	B4	6375	E3										
2045	D5	2457	A2	3052	G1	3383	E3	3538	D3	4409	B4	6376	E3										
2046	B5	2458	B1	3053	G1	3387	E3	3539	C3	4461	B2	6403	C3										
2047	B5	2459	B1	3054	A2	3402	B2	3540	C4	4508	B2	6404	C3										

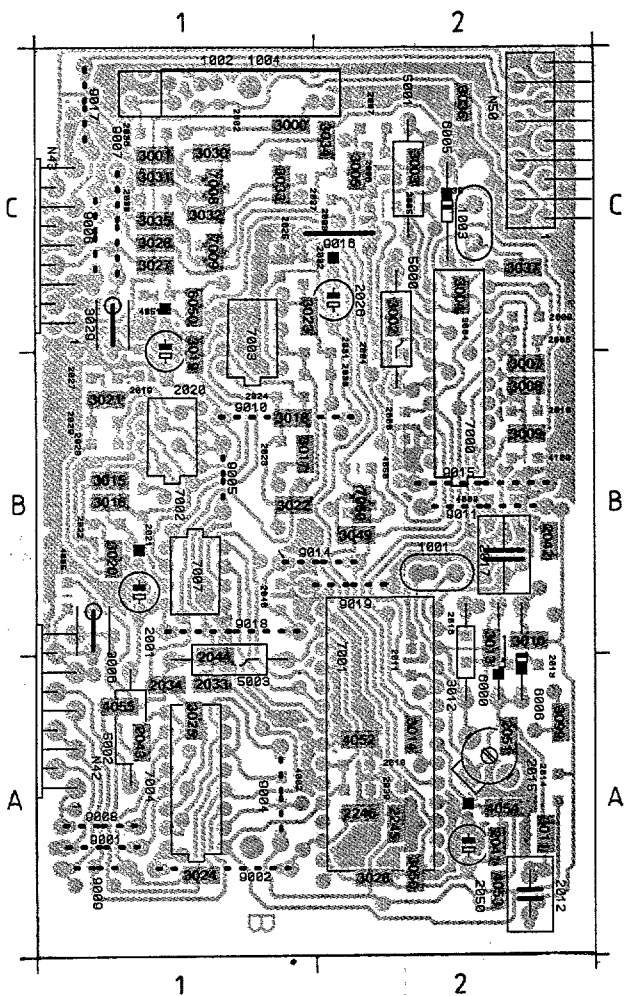
Large signal panel FL X.14 / Groß-signal Platte FL X.14 /



Platine forts signaux FL X.14 /



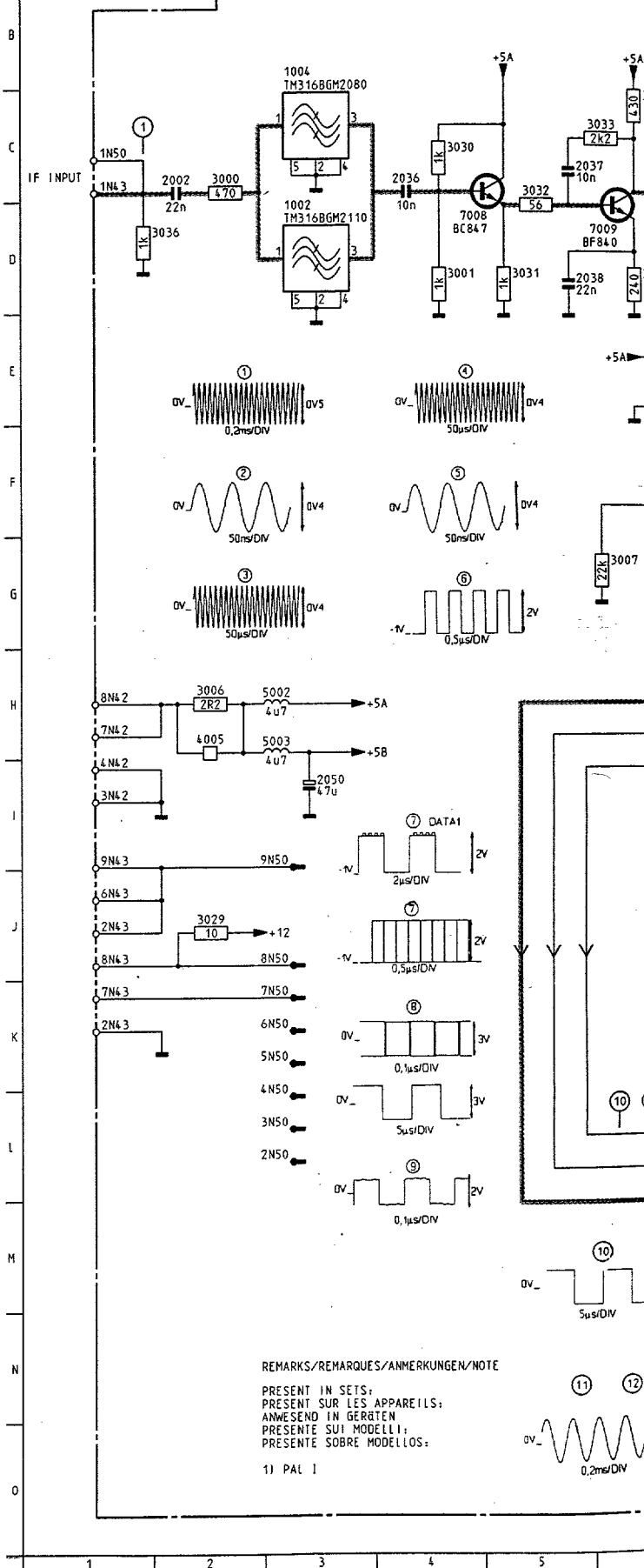
ECO NICAM



N42	A1	2018	A2	2043	A1	3019	B1	4050	B2	9002	A1
N43	C1	2019	B1	2044	A1	3020	B1	4051	C1	9004	A1
N50	C2	2020	B1	2050	A2	3021	B1	4052	A2	9005	B1
1001	B2	2021	B1	2051	A2	3022	B1	4053	A2	9006	C1
1002	C1	2022	B1	2245	A2	3023	C1	4054	A2	9007	C1
1003	C2	2023	B1	2246	A2	3024	A1	4055	A1	9008	A1
1004	C1	2024	B1	3000	C1	3025	A1	4100	B2	9009	A1
2000	B2	2025	C1	3001	C1	3026	C1	5000	C2	9010	B1
2001	B1	2026	C2	3002	C2	3027	C1	5001	C2	9011	B2
2002	C1	2027	B1	3003	C2	3028	A2	5002	A1	9014	B2
2003	C2	2028	B1	3004	C2	3029	C1	5003	A1	9015	B2
2004	B2	2029	B1	3005	C2	3030	C1	6000	A2	9016	C2
2005	C2	2030	B2	3006	B1	3031	C1	6005	C2	9017	C1
2006	C2	2031	B2	3007	B2	3032	C1	6006	A2	9018	B1
2007	C2	2032	C1	3008	B2	3033	C1	6050	C1	9019	B2
2008	B2	2033	A1	3009	B2	3034	C2	7000	B2		
2009	C2	2034	A1	3010	A2	3035	C1	7001	A2		
2010	B2	2035	C2	3011	A2	3036	C2	7002	B1		
2011	A2	2036	C1	3012	A2	3037	C2	7003	B1		
2012	A2	2037	C1	3013	A2	3049	B2	7004	A1		
2013	A2	2038	C1	3014	A2	3050	A2	7007	B1		
2014	A2	2039	A2	3015	B1	3099	A2	7008	C1		
2015	A2	2040	B1	3016	B1	4002	A1	7009	C1		
2016	A2	2041	A2	3017	B1	4003	B2	7050	B2		
2017	B2	2042	B2	3018	B1	4005	B1	9001	A1		



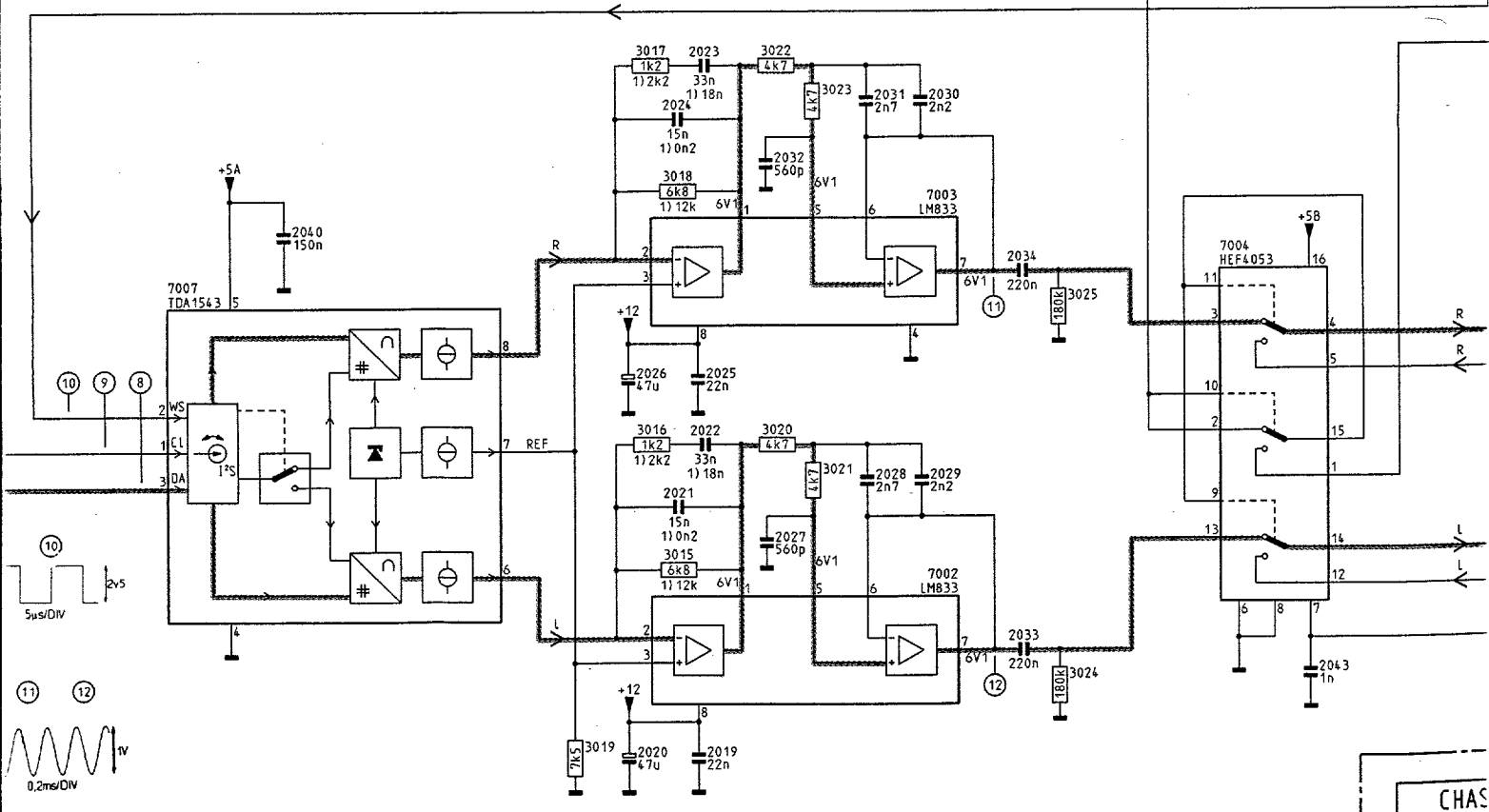
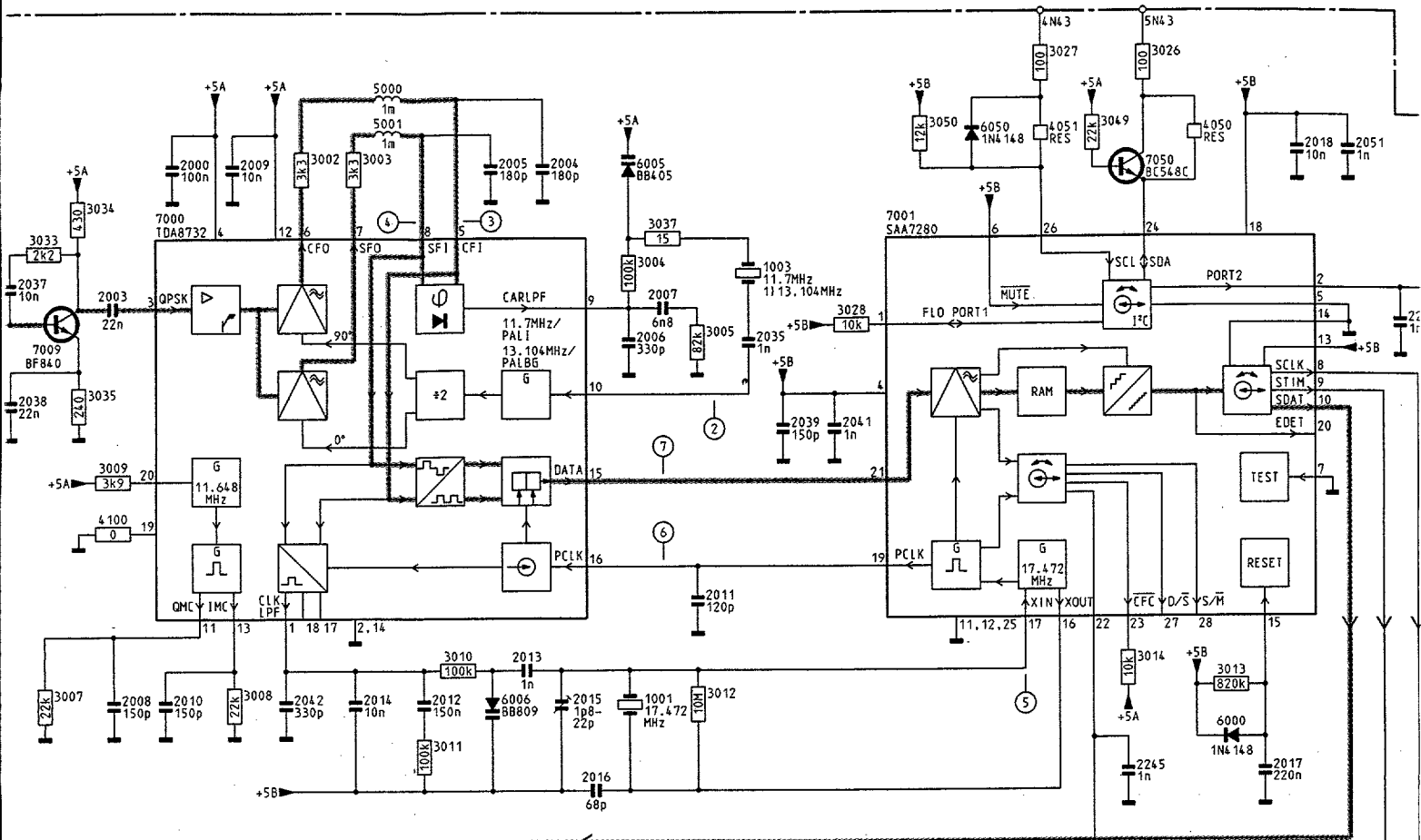
ECO NICAM



REMARKS/REMARQUES/ANMERKUNGEN/NOTE

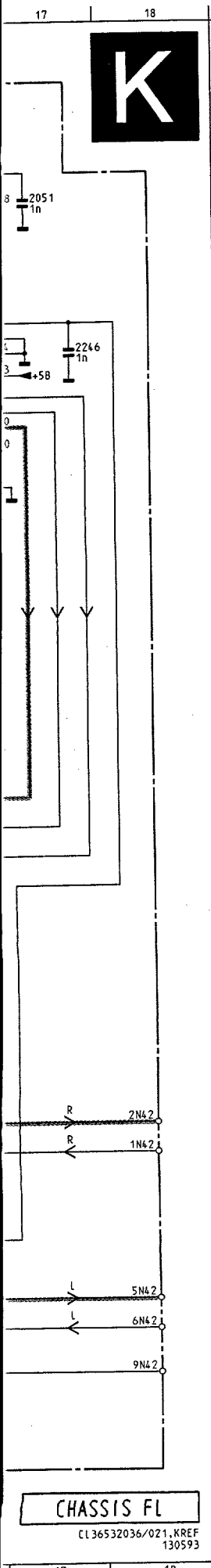
PRESENT IN SETS;
PRESENT SUR LES APPAREILS;
ANWESEND IN GERÄTEN;
PRESENTE SUI MODELLI;
PRESENTE SOBRE MODELLOS;

1) PAL 1

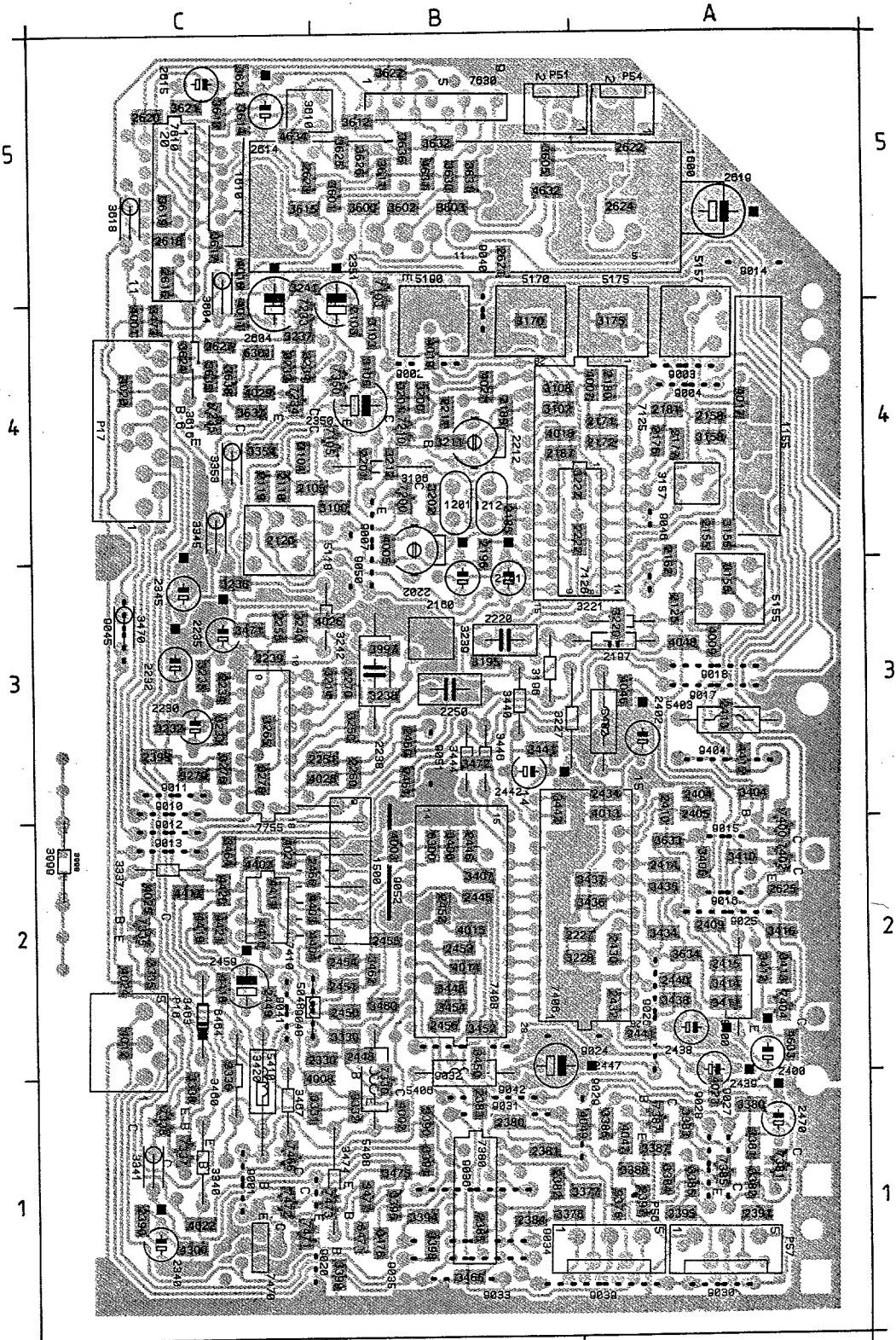


PIP panel

K



- 1001 G11
- 1002 D 3
- 1003 C12
- 1004 B 3
- 2000 B 7
- 2002 C 2
- 2003 C 6
- 2004 B10
- 2005 B 9
- 2006 D11
- 2007 C11
- 2008 G 6
- 2009 B 7
- 2010 G 7
- 2011 F11
- 2012 G 9
- 2013 F10
- 2014 G 8
- 2015 G10
- 2016 G10
- 2017 G16
- 2018 B16
- 2019 O11
- 2020 O10
- 2021 M11
- 2022 L11
- 2023 I11
- 2024 I11
- 2025 L11
- 2026 L10
- 2027 M12
- 2028 L12
- 2029 L13
- 2030 I13
- 2031 I12
- 2032 J12
- 2033 N14
- 2034 K14
- 2035 D12
- 2036 C 4
- 2037 C 5
- 2038 D 5
- 2039 D12
- 2040 J 8
- 2041 D12
- 2042 G 8
- 2043 N16
- 2050 I 3
- 2051 B17
- 2245 G15
- 2246 D17
- 3000 C 2
- 3001 D 4
- 3002 B 8
- 3003 B 8
- 3004 C11
- 3005 D11
- 3006 H 2
- 3007 G 6
- 3008 G 7
- 3009 E 6
- 3010 F 9
- 3011 G 9
- 3012 G11
- 3013 G16
- 3014 F15
- 3015 M11
- 3016 L10
- 3017 I10
- 3018 J11
- 3019 O10
- 3020 L12
- 3021 L12
- 3022 I12
- 3023 I12
- 3024 N14
- 3025 K14
- 3026 A15
- 3027 A14
- 3028 C13
- 3029 J 2
- 3030 C 4
- 3031 D 5
- 3032 C 5
- 3033 C 6
- 3034 C 6
- 3035 D 6
- 3036 D 1
- 3037 C11
- 3049 B15
- 3050 B13
- 4005 H 2
- 4050 B16
- 4051 B14
- 4100 E 6
- 5000 B 9
- 5001 B 9
- 5002 H 3
- 5003 H 3
- 6000 G16
- 6005 B11
- 6006 G 9
- 6050 B14
- 7000 C 7
- 7001 C13
- 7002 M13
- 7003 J13
- 7004 K15
- 7007 K 5
- 7008 O 7
- 7009 O 6
- 7050 B15



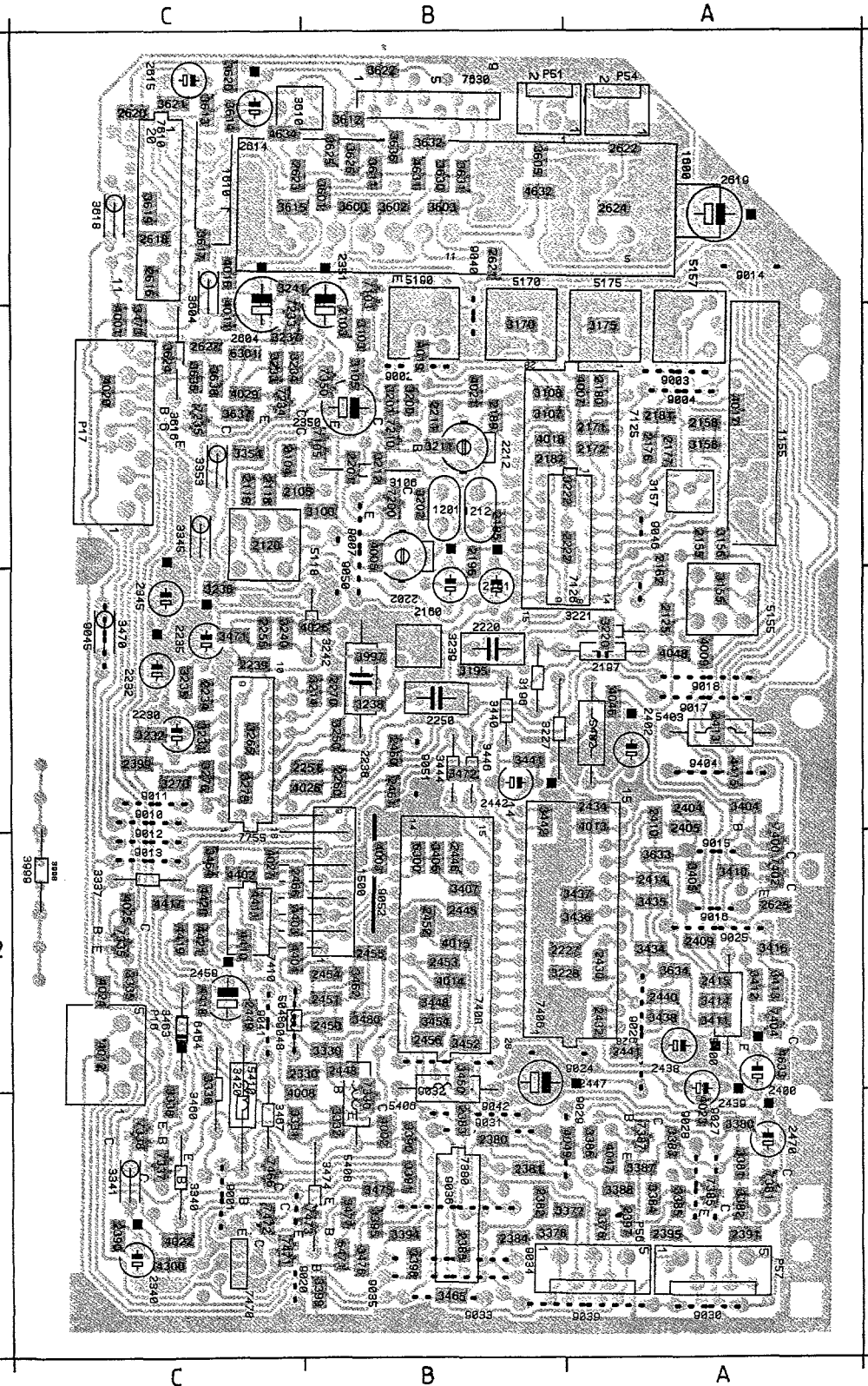
P16	C2	2120	C4	2196	B4	2251	C3	2391	A1	2438	A2	2456	B2	2624	A5	3195	B3	3234	C4
P17	C4	2125	A3	2197	A3	2255	C3	2395	A1	2439	A2	2459	C2	2625	A2	3196	B3	3235	C3
P51	B5	2155	A4	2201	B4	2260	B3	2397	A1	2440	A2	2460	B3	2627	C4	3200	B4	3236	C3
P54	A5	2158	A4	2202	B4	2270	B3	2399	C3	2441	A2	2461	B3	3100	B4	3201	B4	3237	C4
P56	A1	2160	B3	2211	B4	2330	C2	2400	A2	2442	B3	2466	C2	3103	B4	3202	B4	3238	B3
P57	A1	2161	B3	2212	B4	2340	C1	2402	A3	2445	B2	2470	A1	3104	C4	3211	B4	3239	B3
		1155	A4	2162	A3	2345	C3	2404	A3	2446	B2	2604	C4	3105	B4	3212	B4	3240	C3
		1201	B4	2171	A4	2350	B4	2405	A2	2447	B2	2614	C5	3106	B4	3214	B3	3241	C5
		1500	B2	2176	A4	2351	B4	2409	A2	2448	B2	2615	C5	3107	B4	3220	A3	3242	B3
		1600	B5	2177	A4	2380	B1	2410	A3	2449	C2	2616	C5	3108	B4	3221	A3	3250	B3
		1610	C5	2180	A4	2381	B1	2413	A3	2450	B2	2618	C5	3155	A3	3222	B4	3265	C3
		2103	B4	2181	A4	2382	B1	2414	A2	2451	B2	2619	A5	3156	A4	3227	B3	3270	C3
		2105	C4	2185	B4	2383	B1	2415	A2	2452	B2	2620	C5	3157	A4	3228	B2	3275	C3
		2118	C4	2187	B4	2384	B1	2416	A2	2453	B2	2621	B5	3158	A4	3229	B3	3276	C3
		2119	C4	2189	B4	2385	B1	2417	A2	2454	B2	2622	A5	3170	B4	3230	C3	3330	B2
				2250	B3	2390	C1	2432	A2	2455	B2	2623	C5	3175	A4	3231	C3	3330	B2
								2434	A3							3232	C3	3330	B2
																3233	C4	3331	C1

CHASSIS FL

CL36532036/021, KREF 130593

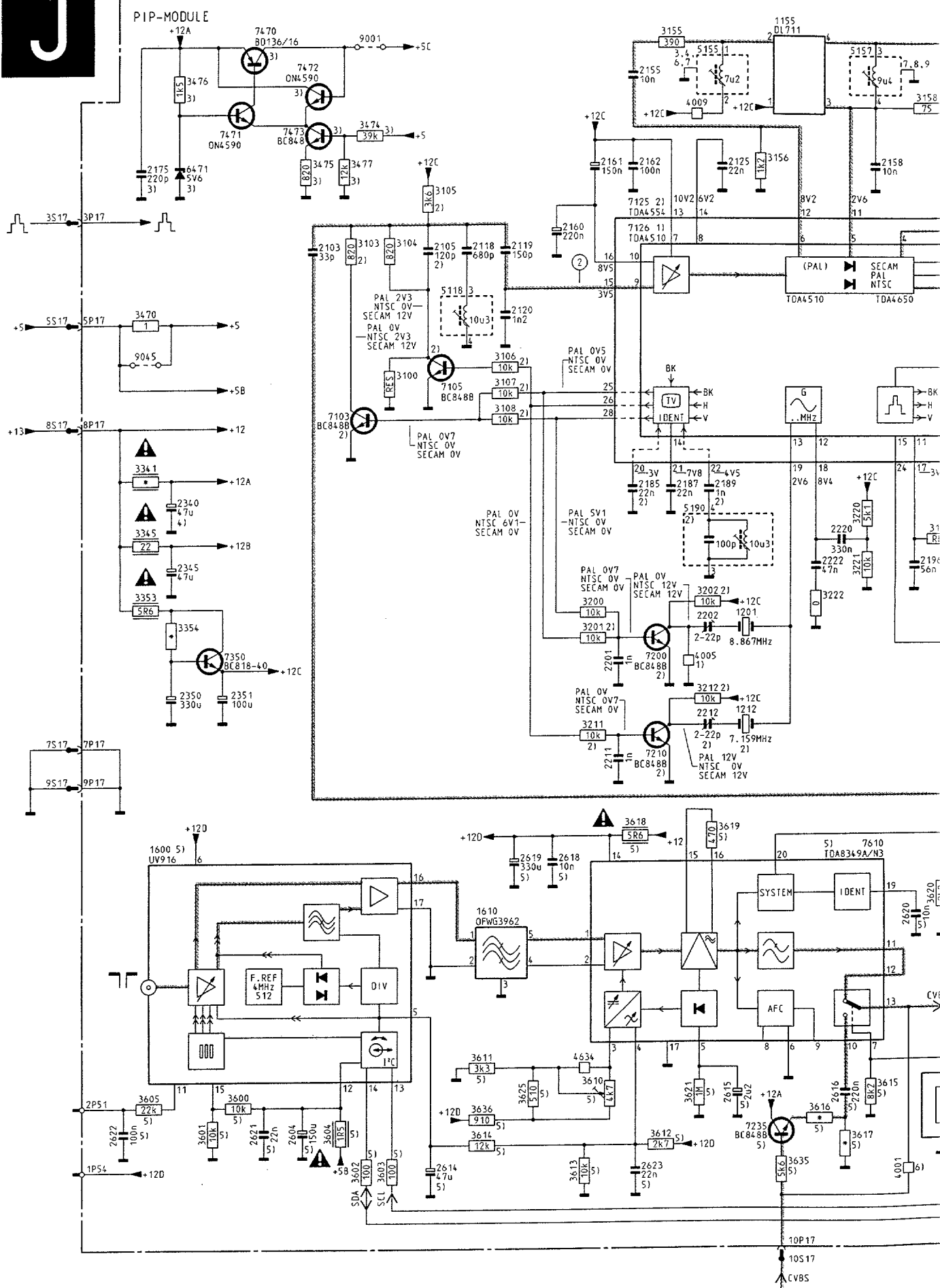
PIP panel

- 1001 G11
- 1002 D 3
- 1003 C12
- 1004 B 3
- 2000 B 7
- 2002 C 2
- 2003 C 6
- 2004 B10
- 2005 B 9
- 2006 D11
- 2007 C11
- 2008 G 6
- 2009 B 7
- 2010 G 7
- 2011 F11
- 2012 G 9
- 2013 F10
- 2014 G 8
- 2015 G10
- 2016 G10
- 2017 G16
- 2018 B16
- 2019 O11
- 2020 O10
- 2021 M11
- 2022 L11
- 2023 L11
- 2024 I11
- 2025 L11
- 2026 L10
- 2027 M12
- 2028 L12
- 2029 L13
- 2030 L13
- 2031 I12
- 2032 J12
- 2033 N14
- 2034 K14
- 2035 D12
- 2036 C 4
- 2037 C 5
- 2038 D 5
- 2039 D12
- 2040 J 8
- 2041 D12
- 2042 G 8
- 2043 N16
- 2050 I 3
- 2051 B17
- 2245 G15
- 2246 O17
- 3000 C 2
- 3001 D 4
- 3002 B 8
- 3003 B 8
- 3004 C11
- 3005 D11
- 3006 H 2
- 3007 G 6
- 3008 G 7
- 3009 E 6
- 3010 F 9
- 3011 G 9
- 3012 G11
- 3013 G16
- 3014 F15
- 3015 M11
- 3016 L10
- 3017 I10
- 3018 J11
- 3019 O10
- 3020 L12
- 3021 L12
- 3022 I12
- 3023 I12
- 3024 N14
- 3025 K14
- 3026 A15
- 3027 A14
- 3028 C13
- 3029 J 2
- 3030 C 4
- 3031 D 5
- 3032 C 5
- 3033 C 6
- 3034 C 6
- 3035 D 6
- 3036 D 1
- 3037 C11
- 3049 B15
- 3050 B13
- 4005 H 2
- 4050 B16
- 4051 B14
- 4100 E 6
- 5000 B 9
- 5001 B 9
- 5002 H 3
- 5003 H 3
- 6000 G16
- 6005 B11
- 6006 G 9
- 6050 B14
- 7000 C 7
- 7001 C13
- 7002 M13
- 7003 J13
- 7004 K15
- 7007 K 7
- 7008 D 5
- 7009 D 6
- 7050 B15

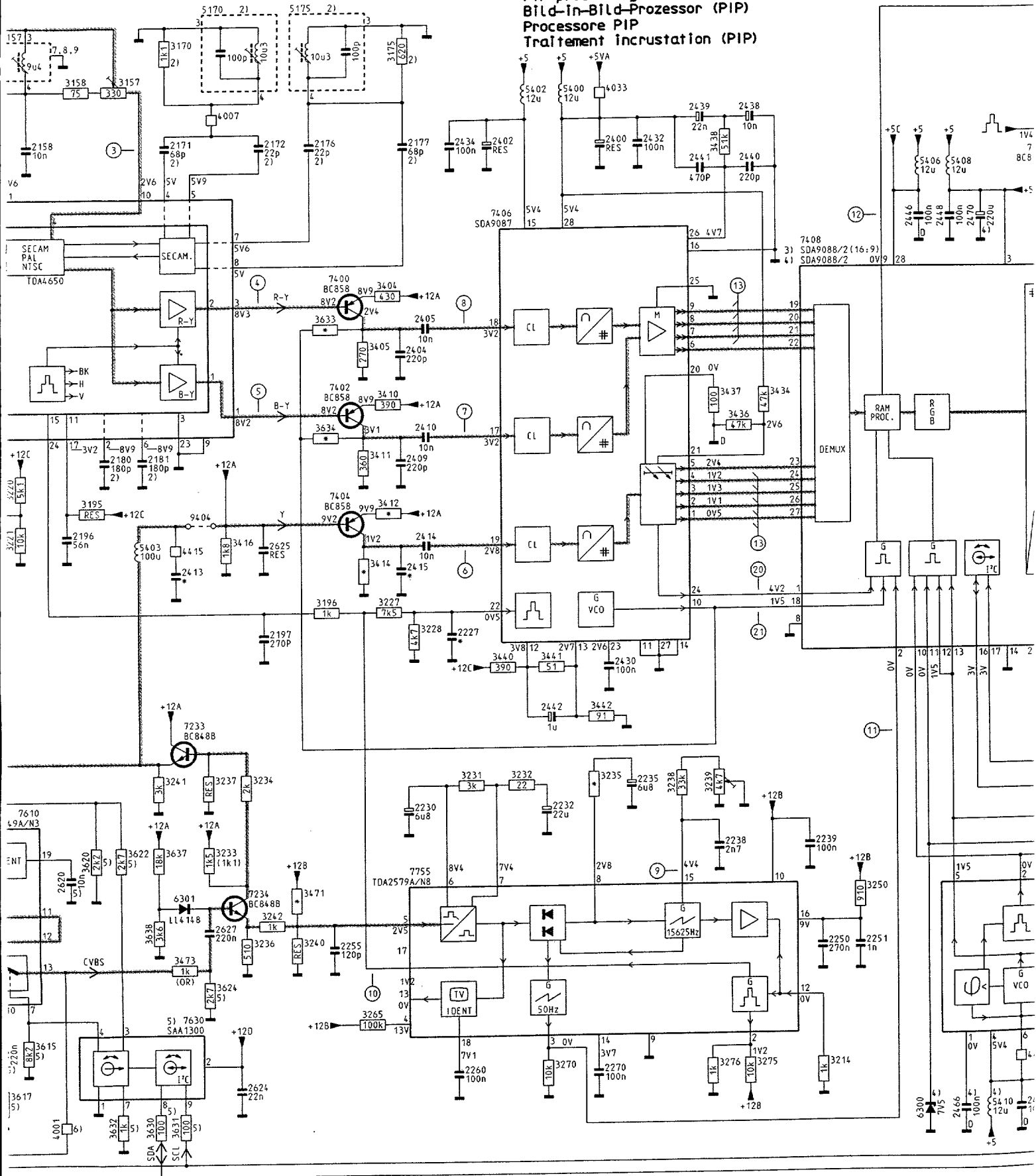


- 3332 B1
- 3335 C2
- 3337 C2
- 3338 C1
- 3340 C1
- 3341 C1
- 3345 C4
- 3353 C4
- 3354 C4
- 3376 A1
- 3377 A1
- 3378 B1
- 3380 A1
- 3381 A1
- 3382 A1
- 3383 A1
- 3384 A1
- 3385 A1
- 3386 A1
- 3387 A1
- 3388 A1
- 3390 B1
- 3391 B1
- 3394 B1
- 3395 B1
- 3398 B1
- 3399 B1
- 3404 A3
- 3405 A2
- 3406 B2
- 3407 B2
- 3410 A2
- 3411 A2
- 3412 A2
- 3413 A2
- 3414 A2
- 3416 A2
- 3420 C1
- 3434 A2
- 3435 A2
- 3436 A2
- 3437 A2
- 3438 A2
- 3440 B3
- 3441 B3
- 3442 B3
- 3444 B3
- 3446 B3
- 3448 B2
- 3450 B2
- 3452 B2
- 3454 B2
- 3460 C1
- 3462 B2
- 3463 C2
- 3464 C2
- 3465 B1
- 3467 C1
- 3471 C3
- 3472 B3
- 3473 C4
- 3474 B1
- 3475 B1
- 3476 B1
- 3477 B1
- 3480 B2
- 3600 B5
- 3601 B5
- 3602 B5
- 3603 B5
- 3604 C4
- 3605 B5
- 3610 C5
- 3611 B5
- 3612 B5
- 3613 C5
- 3614 C5
- 3615 C5
- 3616 C4
- 3617 C5
- 3618 C5
- 3619 C5
- 3620 C5
- 3621 C5
- 3622 B5
- 3624 C4
- 3625 B5
- 3626 B5
- 3630 B5
- 3631 B5
- 3632 B5
- 3633 A2
- 3634 A2
- 3635 C4
- 3636 B5
- 3637 C4
- 3638 C4
- 3639 B3
- 4001 C4
- 4002 B1
- 4003 B2
- 4005 B4
- 4007 A4
- 4008 C1
- 4009 A3
- 4011 C4
- 4012 C2
- 4013 A3
- 4014 B2
- 4015 B2
- 4016 C5
- 4017 A4
- 4018 B4
- 4019 B4
- 4020 C4
- 4021 B4
- 4022 C1
- 4023 A1
- 4024 C2
- 4025 C2
- 4026 B3
- 4027 C2
- 4028 C3
- 4029 C4
- 4046 A3
- 4047 A1
- 4048 A3
- 4049 A1
- 4300 C1
- 4402 C2
- 4403 C2
- 4404 C2
- 4410 C2
- 4411 C2
- 4415 A3
- 4417 C2
- 4418 C2
- 4419 C2
- 4420 C2
- 4421 C2
- 4631 B5
- 4632 B5
- 4633 A2
- 4634 C5
- 5108 C4
- 5114 C4
- 5190 B4
- 5400 A2
- 5402 A3
- 5403 A3
- 5406 B1
- 5408 B1
- 5410 C1
- 6300 B2
- 6301 C4
- 6464 C2
- 6471 B1
- 7103 B5
- 7105 B4
- 7125 B4
- 7126 B4
- 7200 B4
- 7210 B4
- 7233 C4
- 7234 C4
- 7235 C4
- 7330 B1
- 7335 C2
- 7337 C1
- 7338 C1
- 7350 B4
- 7380 B1
- 7381 A1
- 7385 A1
- 7387 A1
- 7400 A2
- 7402 A2
- 7404 A2
- 7406 A2
- 7408 B2
- 7410 C2
- 7466 C1
- 7470 C1
- 7471 C1
- 7472 C1

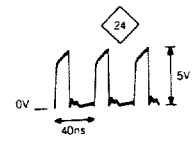
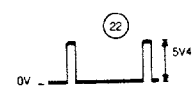
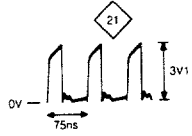
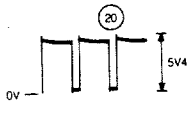
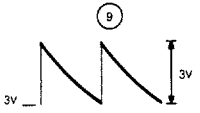
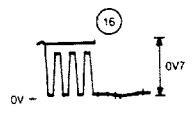
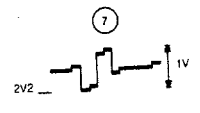
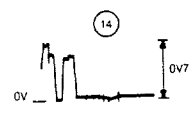
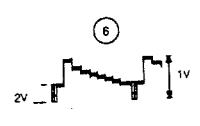
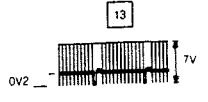
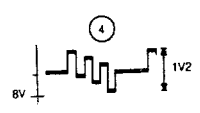
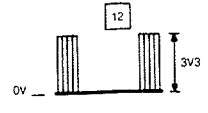
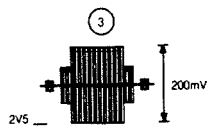
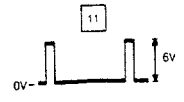
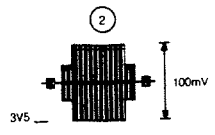
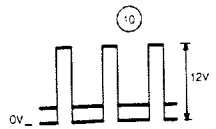
P16 C2	2120 C4	2196 B4	2251 C3	2391 A1	2438 A2	2456 B2	2624 A5	3195 B3	3234 C4
P17 C4	2125 A3	2197 A3	2255 C3	2395 A1	2439 A2	2459 C2	2625 A2	3196 B3	3235 C3
P51 B5	2155 A4	2201 B4	2260 B3	2397 A1	2440 A1	2460 B3	2627 C4	3200 B4	3236 C3
P54 A5	2158 A4	2202 B4	2270 B3	2399 C3	2441 A2	2461 B3	3100 B4	3201 B4	3237 C4
P56 A1	2160 B3	2211 B4	2330 C2	2400 A2	2442 B3	2466 C2	3103 B4	3202 B4	3238 B3
P57 A1	2161 B3	2212 B4	2340 C1	2402 A3	2445 B2	2470 A1	3104 C4	3211 B4	3239 B3
1155 A4	2162 A3	2220 B3	2345 C3	2404 A3	2446 B2	2604 C4	3105 B4	3212 B4	3240 C3
1201 B4	2171 A4	2222 B4	2350 B4	2405 A2	2447 B2	2614 C5	3106 B4	3214 B3	3241 C5
1212 B4	2172 A4	2227 B2	2351 B4	2409 A2	2448 B2	2615 C5	3107 B4	3220 A3	3242 B3
1500 B2	2176 A4	2230 C3	2380 B1	2410 A3	2449 C2	2616 C5	3108 B4	3221 A3	3250 B3
1600 B5	2177 A4	2232 C3	2381 B1	2413 A3	2450 B2	2618 C5	3155 A3	3222 B4	3265 C3
1610 C5	2180 A4	2234 C3	2382 B1	2414 A2	2451 B2	2619 A5	3156 A4	3227 B3	3270 C3
2103 B4	2181 A4	2235 C3	2383 B1	2415 A2	2452 B2	2620 C5	3157 A4	3228 B2	3275 C3
2105 C4	2185 B4	2238 B3	2384 B1	2430 A2	2453 B2	2621 B5	3158 A4	3231 C3	3276 C3
2118 C4	2187 B4	2239 C3	2385 B1	2432 A2	2454 B2	2622 A5	3170 B4	3232 C3	3330 B2
2119 C4	2189 B4	2250 B3	2390 C1	2434 A3	2455 B2	2623 C5	3175 A4	3233 C4	3331 C1



PIP processing Bild-in-Bild-Prozessor (PIP) Processore PIP Traitement incrustation (PIP)

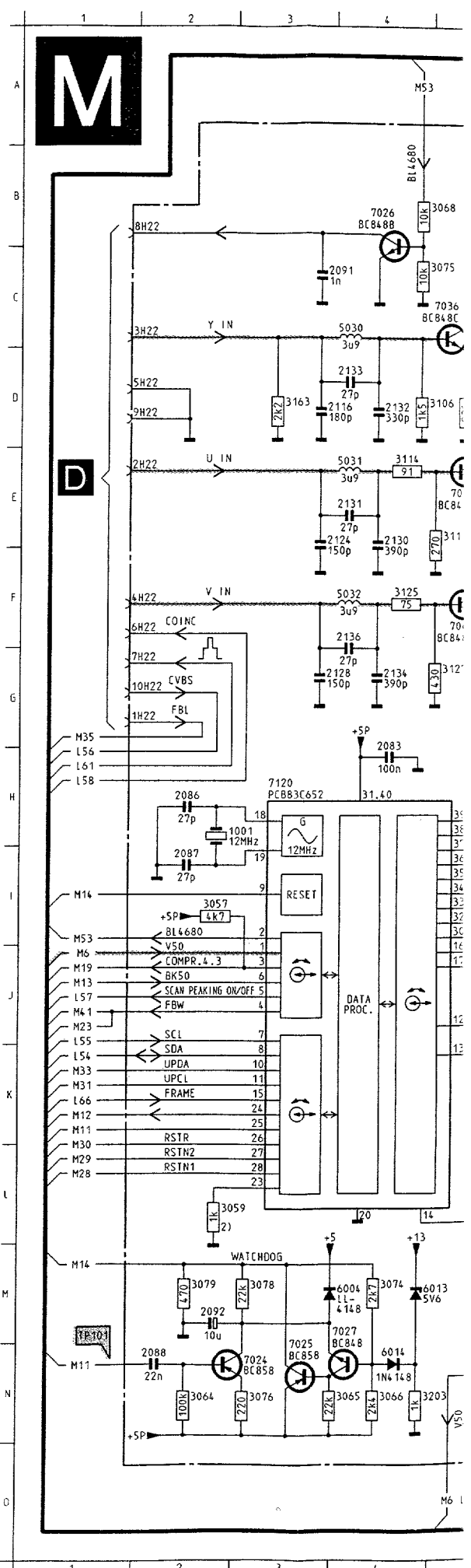


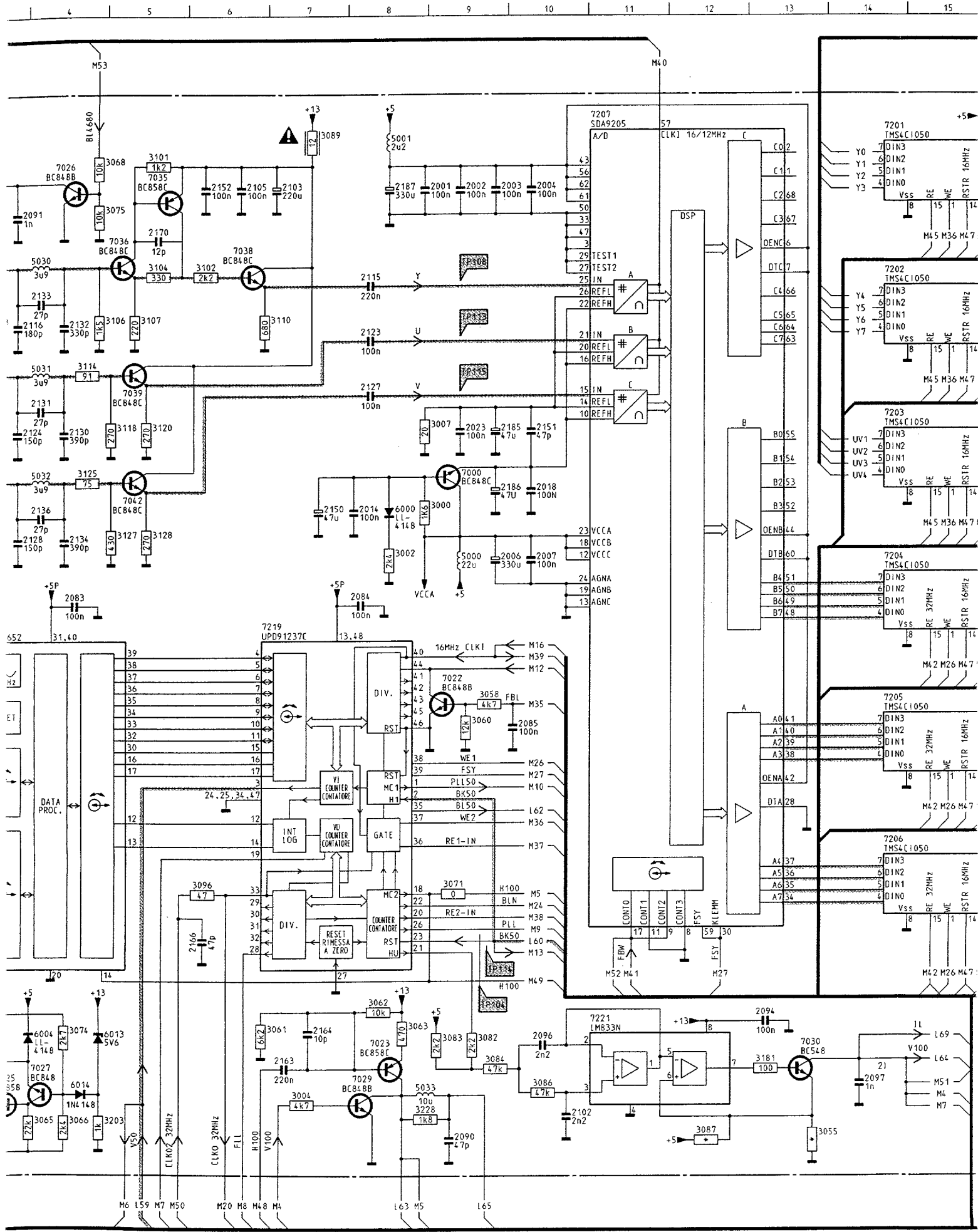
4007 B13
 4009 B 8
 4033 B17
 44.10 M22
 44.15 G12
 4634 M 7
 5118 D 5
 5155 A 8
 5157 A10
 5170 A13
 5175 A14
 5190 G 8
 5400 B17
 5402 B16
 5403 G12
 5406 C21
 5408 C21
 54.10 N22
 6300 N21
 6301 K12
 6464 C24
 6471 C 3
 7103 E 4
 7105 E 5
 7125 C 8
 7126 C 8
 7200 H 8
 7210 I 8
 7233 I12
 7234 K13
 7235 N 9
 7330 N26
 7335 C23
 7337 C23
 7338 B24
 7350 H 3
 7380 D26
 7400 D14
 7402 E14
 7404 G14
 7406 C16
 7408 D20
 7410 K23
 7466 C26
 7470 A 3
 7471 B 3
 7472 A 4
 7473 B 4
 7610 J11
 7630 M13
 7755 K15
 9001 A 5
 9033 J27
 9034 K27
 9035 K27
 9036 K27
 9045 E 2
 9404 G13

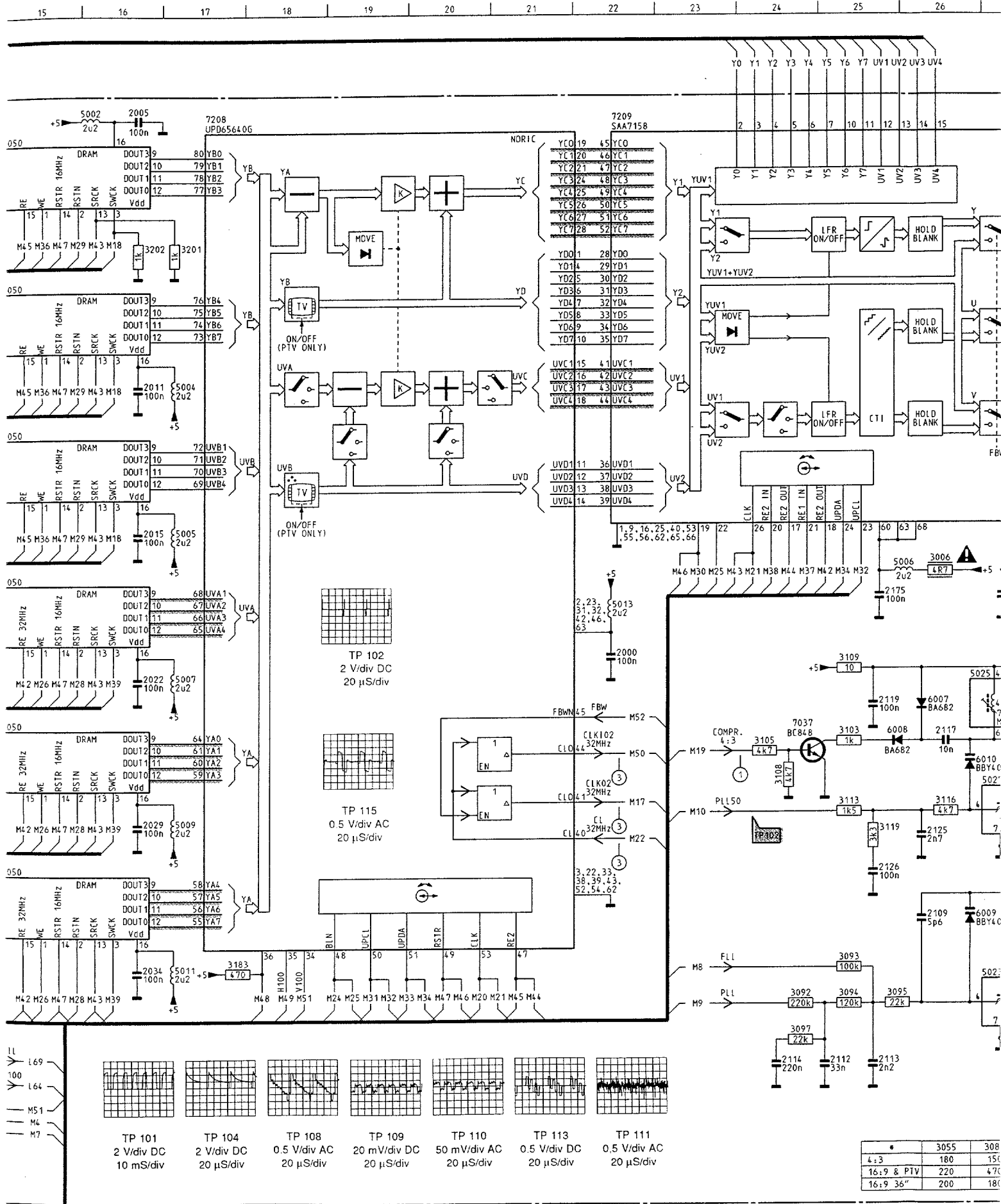


M

D

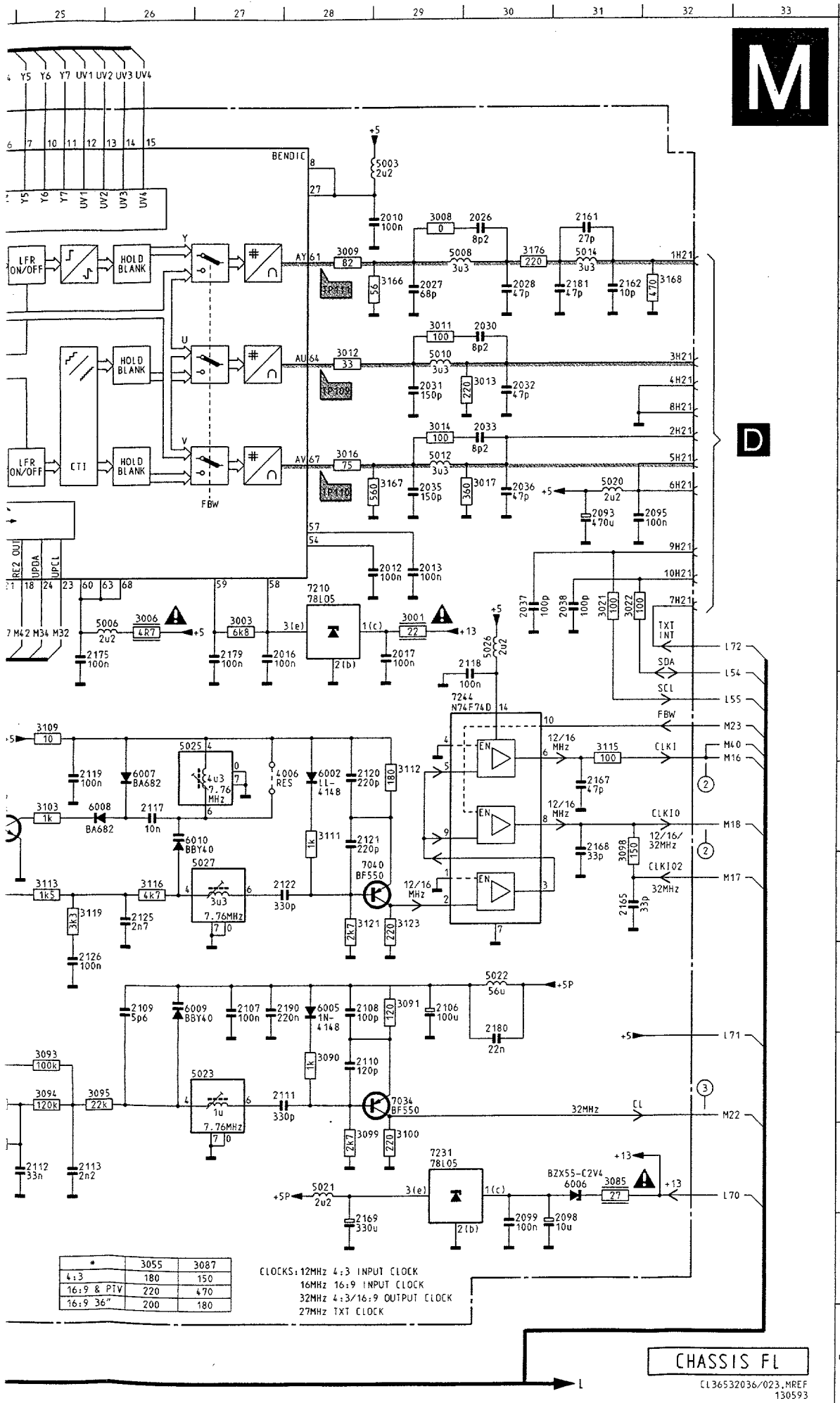






	3055	308
4:3	180	150
16:9 & PIV	220	470
16:9 36"	200	180

LFR box



1001	H 2	3021	G31	7027	M 4
2000	H22	3022	G31	7029	N 8
2001	B 9	3055	N13	7030	M13
2002	B 9	3057	I 2	7034	L29
2003	B 9	3058	I 9	7035	B 5
2004	B10	3059	I 2	7036	C 5
2005	B16	3060	I 9	7037	I24
2006	G 9	3061	M 6	7038	C 6
2007	G10	3062	M 8	7039	E 5
2010	C29	3063	M 8	7040	J29
2011	E16	3064	N 2	7042	F 5
2012	F29	3065	N 4	7120	H 3
2013	F29	3066	N 4	7201	B14
2014	F 8	3068	B 4	7202	D14
2015	G16	3071	K 9	7203	E14
2016	G27	3074	M 4	7204	G14
2017	G29	3075	C 4	7205	I14
2018	F10	3076	N 3	7206	K14
2022	H16	3078	M 3	7207	B11
2023	E 9	3079	M 2	7208	B17
2026	C30	3082	M 9	7210	B22
2027	C29	3083	M 9	7219	G28
2028	C30	3084	M 9	7219	H 6
2029	J16	3085	M31	7221	M11
2030	D30	3086	N10	7231	M29
2031	O29	3087	N12	7244	H29
2032	D30	3089	B 7		
2033	E30	3090	L28		
2034	L16	3091	K29		
2035	F29	3092	L24		
2036	F30	3093	L25		
2037	G30	3094	L25		
2038	G31	3095	L25		
2083	H 4	3096	K 6		
2084	H 8	3097	M24		
2085	I10	3098	I31		
2086	H 2	3099	M28		
2087	I 2	3100	M29		
2088	N 2	3101	B 5		
2090	N 9	3102	C 6		
2091	C 3	3103	L25		
2092	M 2	3104	C 5		
2093	F31	3105	L24		
2094	M13	3106	D 4		
2095	F32	3107	D 5		
2096	M10	3108	J24		
2097	N14	3109	H25		
2098	N31	3110	D 7		
2099	N30	3111	L28		
2102	N10	3112	I29		
2103	B 7	3113	J25		
2105	B 6	3114	E 4		
2106	K29	3115	H31		
2107	K27	3116	J26		
2108	K28	3118	E 5		
2109	K26	3119	J25		
2110	L28	3120	E 5		
2111	L28	3121	J28		
2112	M25	3123	J29		
2113	M25	3125	F 4		
2114	M24	3127	G 5		
2115	D 8	3128	G 5		
2116	D 3	3163	D 3		
2117	I26	3166	C29		
2118	G30	3167	E29		
2119	I25	3168	C32		
2120	I28	3176	C30		
2121	I28	3181	M13		
2122	J28	3183	L17		
2123	D 8	3201	C17		
2124	E 3	3202	C16		
2125	J26	3203	N 4		
2126	K25	3228	N 8		
2127	E 8	4006	I27		
2128	G 3	5000	G 9		
2130	E 4	5001	B 8		
2131	E 4	5002	B16		
2132	D 4	5003	B29		
2133	D 4	5004	E17		
2134	G 4	5005	G17		
2136	F 4	5006	G26		
2150	F 7	5007	H17		
2151	E10	5008	C19		
2152	B 6	5009	J17		
2161	C31	5010	D29		
2162	C31	5011	L17		
2163	M 7	5012	E29		
2164	M 7	5013	G22		
2165	J31	5014	C31		
2166	L 6	5020	E31		
2167	I31	5021	M28		
2169	N28	5022	K30		
2170	C 5	5023	L27		
2175	G25	5025	H26		
2179	G27	5026	G30		
2180	K30	5027	J27		
2181	C31	5030	C 4		
2185	E 9	5031	E 4		
2186	F 9	5032	F 4		
2187	B 8	5033	N 8		
2190	K27	6000	F 8		
3000	F 9	6002	I28		
3001	G29	6004	M 4		
3002	G 8	6006	M31		
3003	G27	6007	I26		
3004	N 7	6008	I25		
3006	G26	6009	K26		
3007	E 9	6010	I26		
3008	C29	6013	M 4		
3009	C28	6014	N 4		
3011	D29	7000	F 9		
3012	O28	7022	I 9		
3013	D30	7023	M 8		
3014	E29	7024	N 3		
3016	E28	7025	N 3		
3017	E30	7026	B 4		

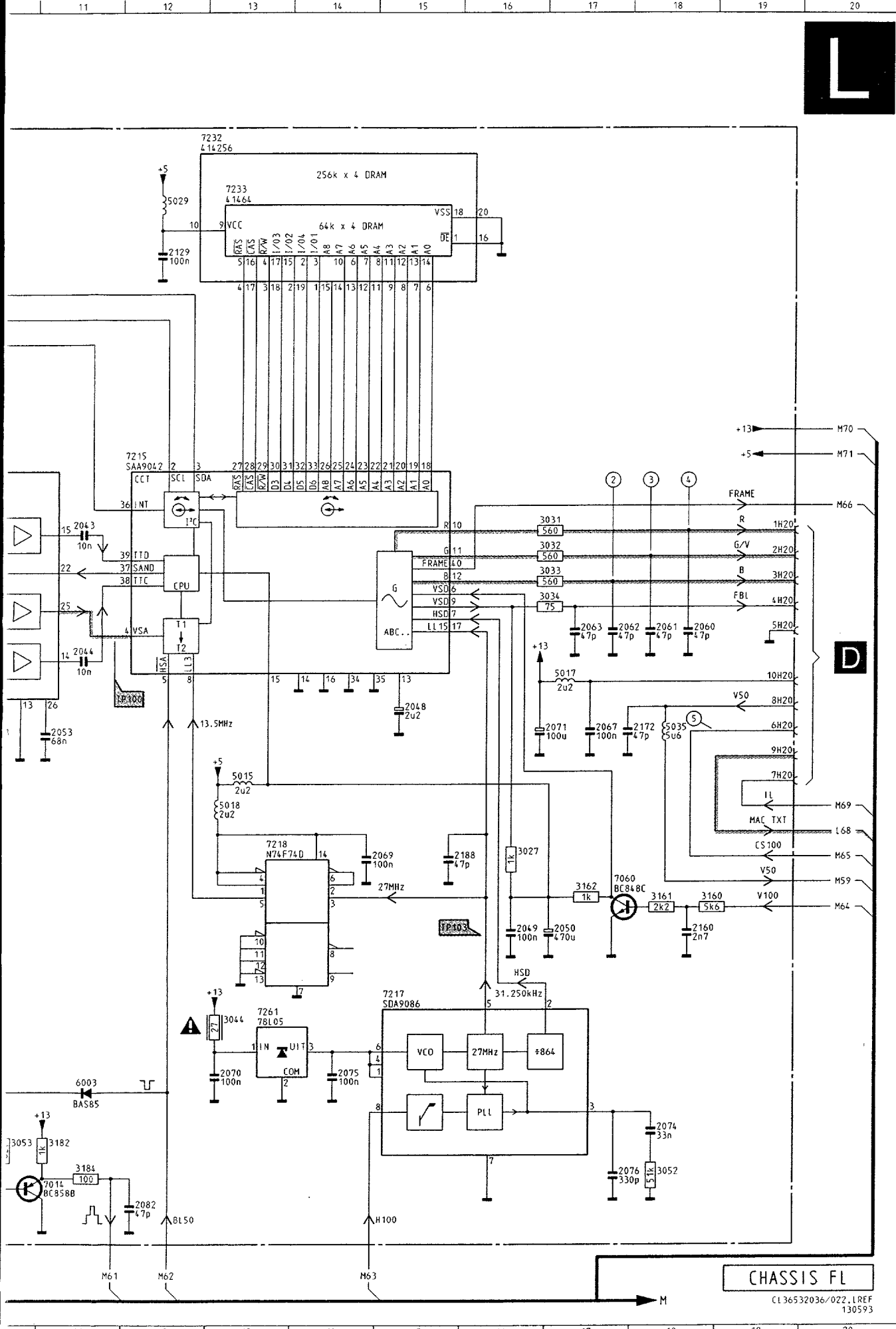
*	3055	3087
4:3	180	150
16:9 & PIV	220	470
16:9 36"	200	180

CLOCKS: 12MHz 4:3 INPUT CLOCK
 16MHz 16:9 INPUT CLOCK
 32MHz 4:3/16:9 OUTPUT CLOCK
 27MHz TXT CLOCK

CHASSIS FL

CL36532036/023,MREF
130593

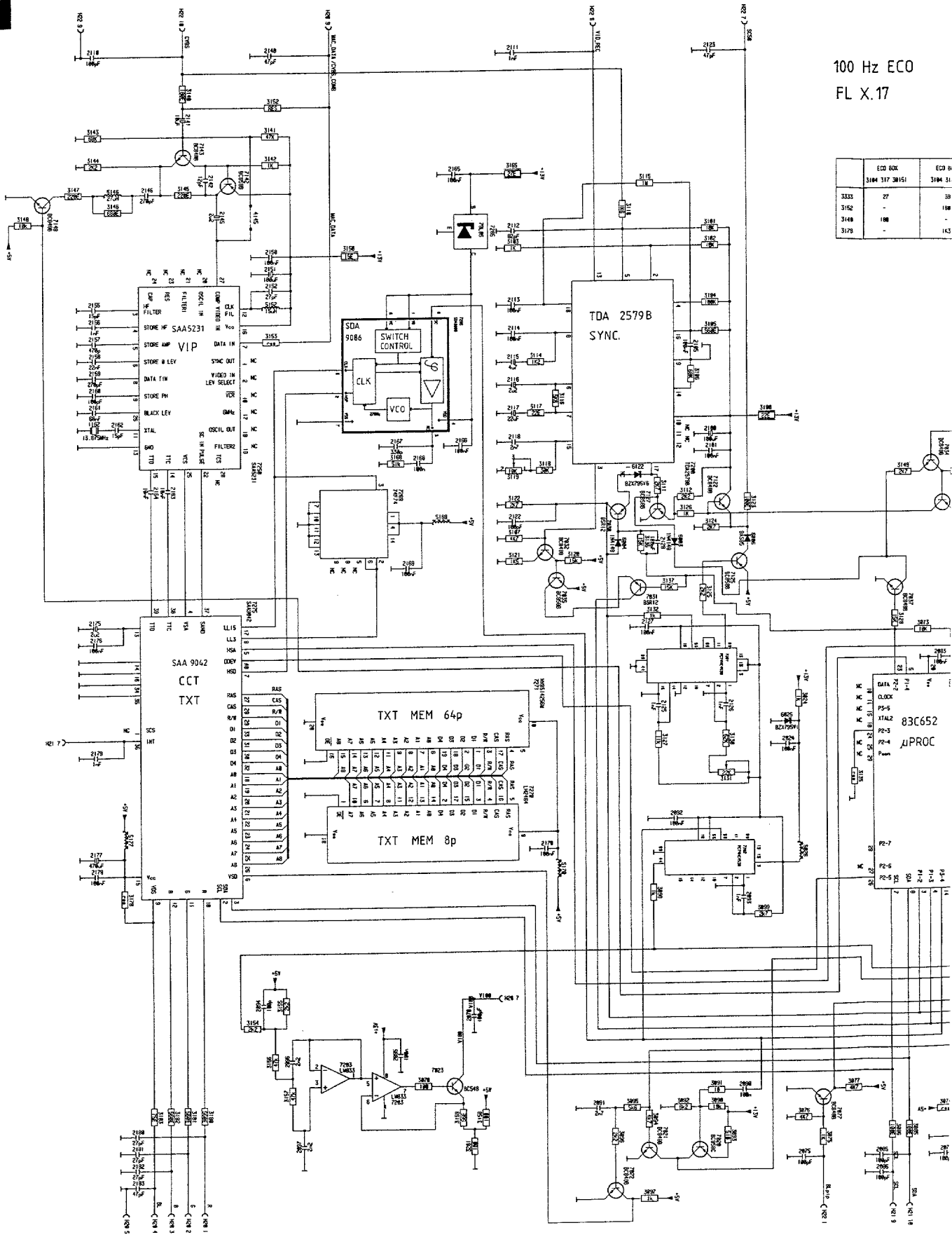
LFR Box



CHASSIS FL

CL 36532036/022.LREF
130593

100 Hz / TXT



100 Hz ECO
FL X.17

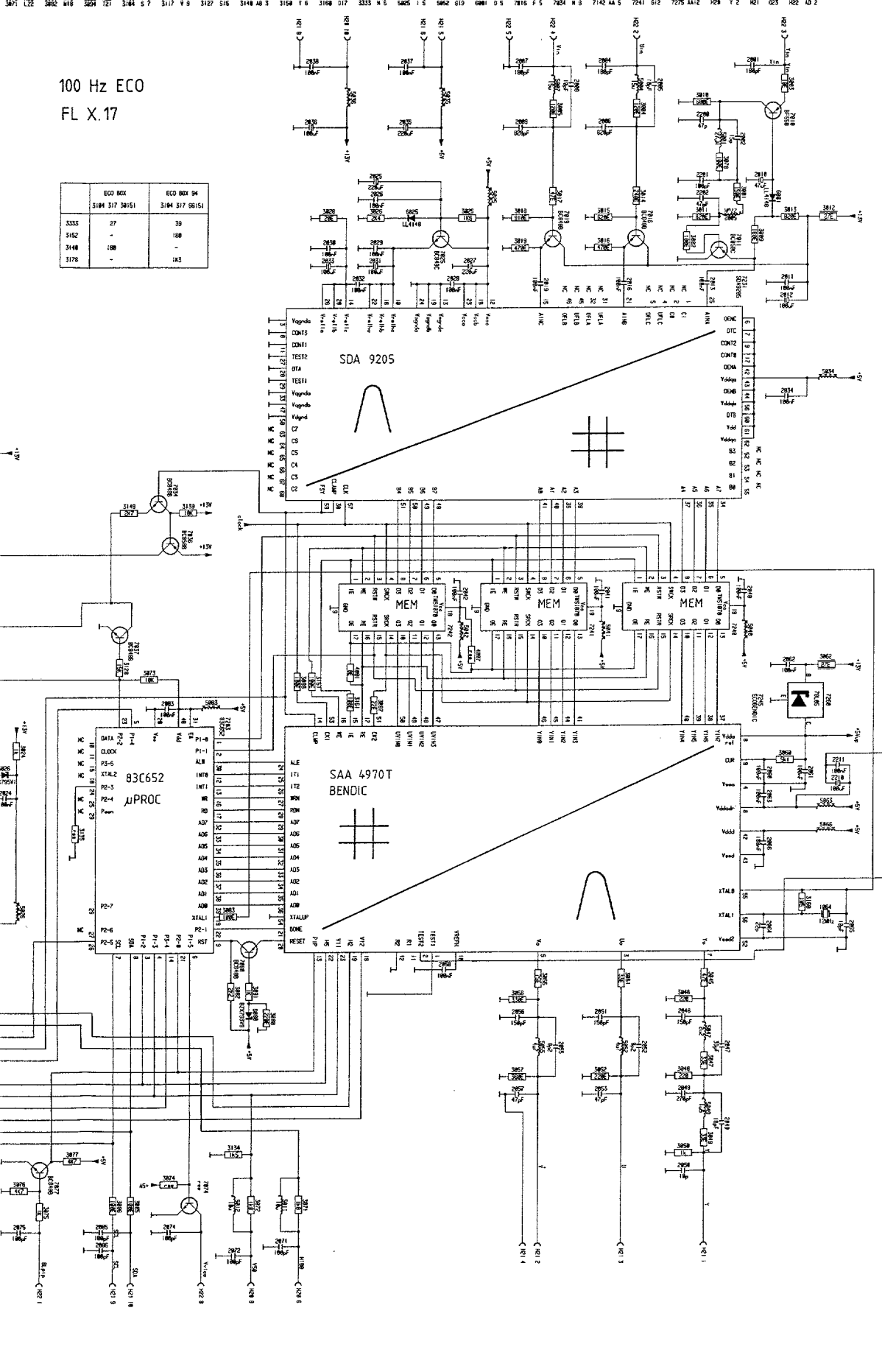
	ECO BOX	ECO B:
3332	3184	3184 31
3333	3187	3187 33
3334	3188	3188 34
3335	3189	3189 35



H22 A8 2

100 Hz ECO
FL X.17

	ECO BOX	ECO BOX 94
3333	3184 317 30151	3184 317 30151
3152	27	39
3148	188	188
3178		183



1. 83C652 μPROC
 2. SAA 4970T BENDIC
 3. SDA 9205
 4. Keyboard
 5. Mouse
 6. Printer
 7. Power Supply (+5V, -15V)
 8. Memory (MEM)
 9. Various ICs and components

7. Electrical adjustments

Setting conditions

Unless stated otherwise, the supply voltage used is:
 220 - 240V 10%; 50 - 60Hz 5%
 Voltages and oscillograms are measured in relation to tuner earth. **Never** use the cooling plates as earth.
 Warming-up time 10 minutes
 For all measurements it is true that:
 probe Ri > 1MΩ; Ci < 10pF

Electrical settings on the large signal panel

- .1 **+141V supply voltage**
 Supply the mains voltage; this must be isolated from the mains.
 Connect a voltmeter over C2238.
 Using R3371, on the SOPS DRIVE CIRCUIT (fig. 7.2) set the supply voltage to + 141V ±0.5V.
- .2 **+5V supply voltage (FL1/2.16)**
 Connect a voltmeter to pin 8 of L02
 Adjust the voltage to 5.4V using R3558
- .3 **+13V supply voltage (FL1/2.16)**
 Connect a voltmeter to pin 6 of connector L02
 Adjust the voltage to 14.2V using R3234.
- .4 **Focusing**
 This is set with the focus potentiometer (top one on the Line output transformer/DAF Unit).
- .5 **Dynamic 1) Astigmatic focus**
 This is set with the aid of the potentiometer on the bottom right of the DAF transformer. Repeat the adjustment of the Vg2 and focus.
- .6 **Vg2 setting**
 Supply an aerial signal.
 Set the contrast to maximum and the brightness and saturation to nominal.
 Using an oscilloscope set to field frequency, measure the direct voltage level of the measurement pulse (fig. 7.1) on pin 9 of IC7705, IC7706 and IC7707 in relation to earth.
 Now adjust the highest voltage level found with the aid of the Vg2 potentiometer (bottom left on the Line output transformer/DAF unit) to 150V ±2V.

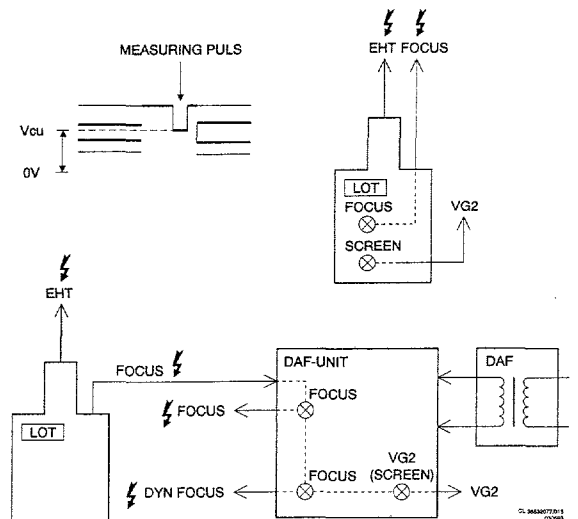


Fig. 7.1

- 1.7 **Stable OSD**
 Short circuit pin 11 IC7401 to pin 13 IC7401
 Short circuit pin 5 IC7755 to earth.
 Measure the frequency on pin 16-IC7401 and set this to 15,625 Hz ±25 Hz with R3434.
 Remove the short circuits.
- 1.8 **Horizontal synchronisation**
 Connect point 5-IC7400 to point 9-IC7400.
 Supply an aerial signal and set the receiver.
 Adjust potentiometer R3406 until the picture is straight.
 Break the through connection.
- 1.9 **Horizontal centring**
 Feed in a test pattern that makes the horizontal linearity visible (e.g. a symmetrical cross pattern or a test circle).
 Adjust the DC offset current through the horizontal deflection coil using R3513 so that the horizontal linearity is optimal (the distance between the two vertical lines should be equal on both the left and right hand sides of the picture). It is also possible to use a ruler for this purpose. The picture can then be centred using R3415.
- 1.10 **Picture width**
 Set using potentiometer R3607.
- 1.11 **Vertical centring**
 Set using potentiometer R3467.
- 1.12 **Picture height**
 Set using potentiometer R3410.
- 1.13 **Picture height**
 Movie expand off: set using potentiometer R3410.
 Movie expand on: set using potentiometer R3422.
- 1.14 **East/West correction**
 Set using potentiometer R3602.

- 2. E
- 2.1 Si
- Co
- si
- Se
- th
- U
- ar
- 2.2 4.
- Si
- pc
- ar
- 2.3 El
- 2.3.1 Cr
- Co
- th
- 4.
- pi
- os
- Se
- Re
- 2.3.2 4.
- Co
- wi
- Co
- Co
- Se
- Re
- 2.3.3 6.
- Co
- Et
- 2C
- Co
- Co
- Se
- Re
- 2.3.4 Cr
- Co
- be
- ee
- pr
- 2.3.5 Cr
- Co
- be
- ee
- pr
- 2.3.6 Sl
- Co
- bl:
- 3-
- Co
- mi

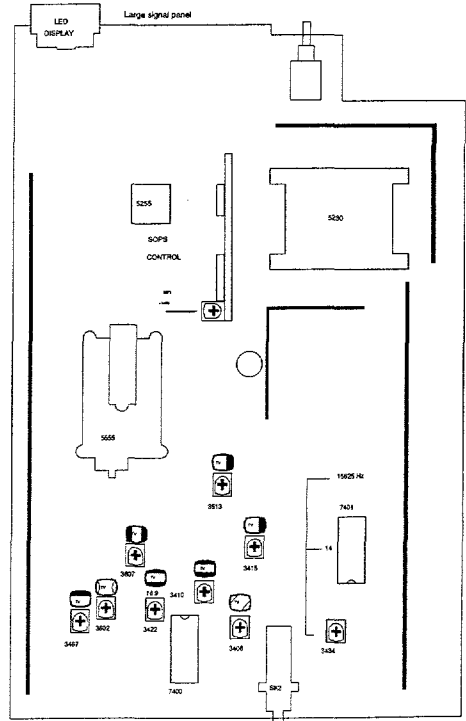


Fig. 7.2

2. Electrical settings on the small signal panel

2.1 Stereo audio channel separation

Connect a signal generator with a 2 carrier stereo signal ("stereo" mode). Select 1kHz for the right-hand channel and switch off the sound for the left-hand channel. Connect an oscilloscope to pin 3 of Euroconnector EXT1 Using R3602 on the small signal panel, set the amplitude of the signal to minimum amplitude.

2.2 4.43 MHz chroma suppression circuit

Supply a colour bar signal. Connect an oscilloscope to point 17 of IC7324 and set L5305 to minimum amplitude of the chrominance signal.

2.3 Electrical settings IC7365 (TDA4650)

2.3.1 Chroma bandpassfilter

Connect a signal generator (e.g. PM 5326) to pin 20 of the euroconnector (EXT1) and set its frequency to 4.286 MHz/0.2 Vpp. Switch the unit to EXT1. Connect pin 27-IC7365 to pin 13-IC7365 (+12V). Connect an oscilloscope to pin 15-IC7365. Set L5345 to maximum amplitude. Remove the interconnection.

2.3.2 4.50 MHz NTSC sound suppression

Connect a generator to point 20 of Euroconnector EXT1 with a frequency of 4.50 MHz and 200mV_{rms}. Connect point 26-IC7365 to point 13-IC7365. Connect an oscilloscope to point 15 of IC7365. Set L5346 to minimum amplitude. Remove the short circuit.

2.3.3 6.50 MHz SECAM DK sound suppression

Connect a sine-wave generator to point 20 of Euroconnector EXT1 with a frequency of 6.50 MHz and 200mV_{rms}. Connect point 28-IC7365 to point 13-IC7365. Connect an oscilloscope to point 15 of IC7365. Set L5346 to minimum amplitude. Remove the short circuit.

2.3.4 Chroma 8,87 MHz auxiliary oscillator

Connect a pattern generator and supply a PAL colour bar pattern. Connect pin 17-IC7365 (TDA4650) to earth. Set C2380 so that the colour on the screen has practically stopped. Remove the interconnection.

2.3.5 Chroma 7,16 MHz auxiliary oscillator

Connect a pattern generator and supply a PAL colour bar pattern. Connect pin 17-IC7365 (TDA4650) to earth. Set R2379 so that the colour on the screen has practically stopped. Remove the interconnection.

2.3.6 SECAM demodulators

Connect a pattern generator and supply a SECAM black pattern. Connect an oscilloscope to pin 3-IC7365. Set L5370 to minimum amplitude. Connect the oscilloscope to pin 1-IC7365. Set R3370 to minimum amplitude.

SMALL SIGNAL PANEL

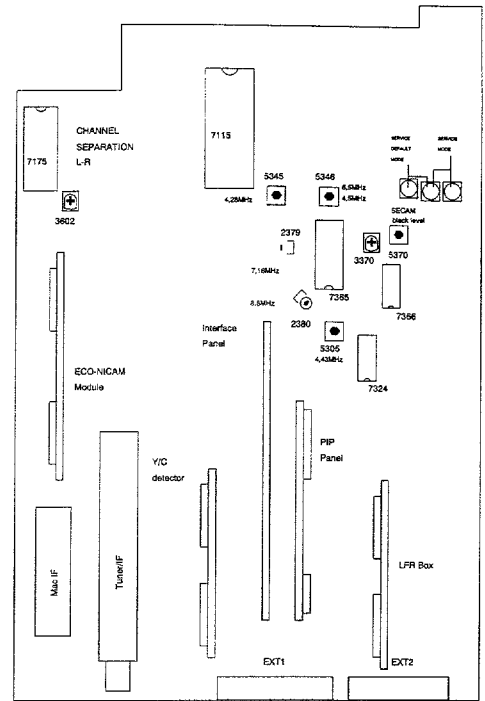


Fig. 7.3

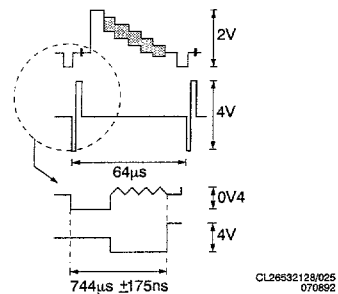


Fig. 7.4

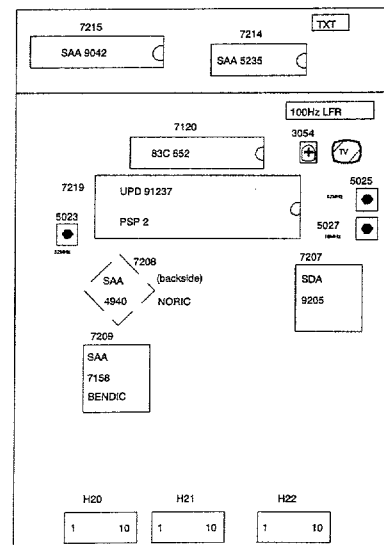


Fig. 7.5

Electrical adjustments

3. Electrical adjustments on the LFR box

3.1 Synchronisation

Connect point 5 of IC7216 to earth. Adjust R3054 until the picture is straight.
Remove the short circuit.

3.2 16MHz oscillator

Apply a PAL/SECAM signal. Measure the signals at point 1 of IC7219 and at point 5 of IC7216 simultaneously with an oscilloscope (fig. 7.9). Adjust coil L5027 so that the positive-going flank of the signal at point 1 of IC7219 comes 7.62 μsec after the negative-going flank of the sync pulse in the video signal (point 5 of IC7216).

3.3 32MHz oscillator

Force the STABLE OSD command to the microprocessor, by disconnecting the set from a possible antenna input signal. Measure the frequency at point 41 of IC7208. Using L5023 set the frequency to 32 MHz \pm 50 KHz.

3.4 12MHz oscillator

Switch on compress.
Measure the signals on point 1 of IC7219 and on point 5 of IC7216 simultaneously with an oscilloscope (fig. 7.9). Adjust coil L5025 so that the rising flank of the signal on point 1 of IC7219 comes 7.62 μsec after the negative flank of the sync pulse in the video signal (point 5 of IC7216).

4. Electrical settings on the ECO-NICAM decoder panel

4.1 Neutral frequency adjustment

Connect a frequency counter via a probe ($C_i \leq 15\text{pF}$) to pin 19 of IC7001 (SAA 7280) and pin 15 (GND).
Adjust C2015 in such a manner that the clock frequency is set at 728.025 kHz. ($\pm 5\text{Hz}$)

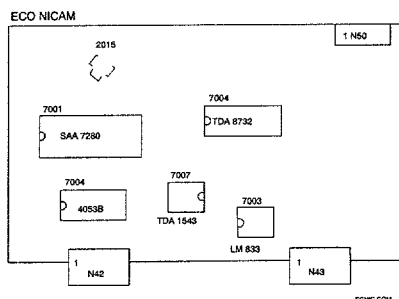


Fig. 7.6

5. Y/C detector adjustment

5.1 PAL/SECAM

Inject a chroma signal of 4.418 MHz/200mV on pin 15 of EXT2 SCART (PL05).
Connect an oscilloscope to the collector of T7266 (T7).
Using L5201 adjust the 4.418 MHz signal to maximum amplitude.

5.2 NTSC

As PAL/SECAM but with a signal of 3.582 MHz/200mV. Adjust with L5200.

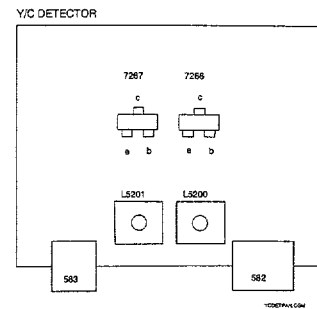


Fig. 7.7

6. Electrical settings on the PIP panel

Setting conditions

Before carrying out each setting, it should be ensured that a P.I.P. picture with colour bar is visible on the screen and the unit should have reached its operating temperature (after ≈ 20 min.).

6.1 Horizontal synchronisation

Supply an aerial or generator signal.
Connect pin 28-IC7125 to pin 13-IC7125.
Connect pin 5-IC7755 to earth.
Measure the frequency on pin 17-IC7755 and set this to 15,625 Hz \pm 25 Hz with R3239.
Remove the short circuits.

762 AGC

If the picture from a strong local transmitter is distorted, adjust 3160 until the picture is not distorted.

6.3 Setting for PIP modules with TDA4554

6.3.1 Chroma bandpass filter

Connect a signal generator (e.g. PM 5326) to pin 10 of P17 and set its frequency to 4.286 MHz/0.2 Vpp.
Connect pin 27-IC7125 to 13-IC7125.
Connect an oscilloscope to pin 15-IC7125.
Set L5118 to maximum amplitude.
Remove the interconnection.

6.3.2 PAL chroma auxiliary oscillator

Connect a pattern generator and supply a PAL colour bar pattern. Connect pin 17-IC7125 (TDA4554) to earth.
Set C2202 so that the colour of the PIP picture is practically still.
Remove the interconnection.

6.3.3 NTSC chroma auxiliary oscillator

Connect a pattern generator and supply an NTSC M colour bar pattern. Connect pin 17-IC7125 to earth.
Set C2212 so that the colour of the PIP picture is practically still.
Remove the interconnection.

6.3.4 The delay line

Connect a pattern generator and supply a PAL colour bar signal. Connect the X-input of the oscilloscope to pin 1-IC7125 (TDA4554). Connect the Y-input of the oscilloscope to pin 3-IC7125 (TDA4554). Set the oscilloscope to the X-Y position.
Set L5155 and L5157 so that the vectors lie in one line (points which are furthest from the origin).
Set the pattern generator to the "DEM" mode.
Set R3157 so that the vectors lie on top of one another in the origin.

Electrical adjustments

6.3.5 SECAM identification

Connect a pattern generator and supply a SECAM colour bar signal.

Connect pin 27-IC7125 to pin 13-IC7125.

Connect an oscilloscope to pin 21-IC7125.

Adjust L5190 to maximum DC level.

Remove the interconnection.

6.3.6 SECAM demodulators

Connect a pattern generator and supply a SECAM signal without contents (black). Connect pin 27-IC7125 to pin 13-IC7125. Connect an oscilloscope to pin 1-IC7125. Using L5175, set the DC level during the scan equal to the DC level during the flyback.

In the same way set L5170, but now measure at pin 3-IC7125.

Remove the interconnection.

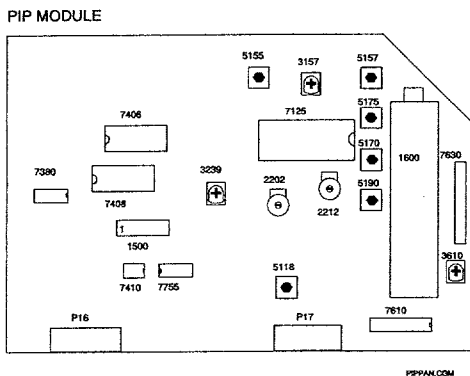


Fig. 7.8

6.4 Adjustment of PLL circuit (36", 16:9)

Connect a pattern generator and apply a PAL colour-bar pattern to the CVBS input.

6.4.1 Adjustment of the PLL oscillator

Movie expand off

Main picture 16:9

PIP-picture 16:9

With the aid of L5101 on the PLL PCB set the DC level on pin 5 of 1500 to 2.5V.

6.4.2 Adjustment of the duty cycle

Movie expand off

Main picture 16:9

PIP-picture 4:3

Connect an oscilloscope to pin 11 of IC7408 (SDA9088).

With the aid of R3130 on the PLL PCB set the time T to 13nsec (see fig. 7.9).

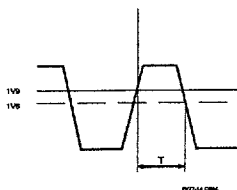


Fig. 7.9

7. Alignments in the Service Menu

7.1

Switch in the Service Menu by momentarily connecting together pins S23 and S24 on the small signal panel (diagram H). The Service Menu will then appear on the screen. The procedure is as follows:

- Select the required alignment with the coloured keys A to E.
- Change the values set using the "Menu +/-" key.
- Store the values set in the EAROM and leave the Service Menu by selecting STORE.

7.2

White Drive Alignment

Switch the set into 4:3 mode.

Switch out the DNR via the remote control.

Select a white picture. (A black picture (e.g. VCR1) set at maximum brightness is also suitable).

Switch the Service Menu in.

Select the required white drive alignment by adjusting the colours red and blue in relation to green (green is the reference colour).

Remarks: In the original factory settings "white" has a colour temperature of 7600K (White with a bluish tint). The point of departure is green with a value of 44. The factory setting for blue is then approx. 44. The factory setting for red is then approx. 21.

7.3

Cut-off Alignment

Switch the set into 4:3 mode.

Switch out the DNR via the remote control.

Select a black picture (e.g. VCR1).

Switch the service menu in.

Set the brightness level so that the picture just (but clearly) illuminates.

Using the Cut-off adjustments align the colour temperatures in such a manner that at minimum illumination of the picture they are the same as the colour temperatures at maximum brightness. (At minimum picture illumination it is possible that one colour may dominate. This is however normal and does not have to be (fully) compensated with the cut-off alignment).

Remarks: In the original factory settings "white" has a colour temperature of 7600K (White with a bluish tint). The point of departure is green with a value of 28. The factory setting for blue is then approx. 33. The factory setting for red is then approx. 25.

7.4

D2-MAC Alignment

These alignments are described in the section: FL1 SAT box chapter 7.

7.5

Option Alignment

The microprocessor communicates with a great number of components in the set. For correct communication the microprocessor has to know what IC's and modules are present in the set. This is done using option codes. An incorrectly set option code will give a communication problem and an accompanying error code. Every function has been allocated a value. The sum of 8 values forms an option code. This number can vary from 0 to 255. The option code tables are given at the end of this paragraph.

For example, a set has:

Option code 1	
<i>Function</i>	<i>Value</i>
Frontend FQ816/ME/IF	2
PIP Module	8
NTSC-M	16
NICAM module	64
2nd Frontend on PIP module	128 +

Option code 1 is now: 218

Option code 2	
<i>Function</i>	<i>Value</i>
IC7175 present on SSP	1
100 Hz	4
ECO NICAM	32
100 Hz LFR	64 +

Option code 2 is now: 101

Option code 3	
<i>Function</i>	<i>Value</i>
16:9	64 +

Option code 3 is now: 64

Option code 4:	
<i>Function</i>	<i>Value</i>
Multi-PIP	2
FL2 model	4 +

Option code 4 is now: 6

Optioncode 1	
Nbr.	Function
0	Front end = FQ916 A reception of PAL BG or PAL BG and SECAM BG is now possible
1	Front-End = FQ944 Only reception of the UHF band is now possible
2	Front end = FQ916/ME/IF Reception of SECAM L but not of SECAM L' is now possible (reception of NTSC-M is now usually also possible).
4	Front end =FQ916/MF/IF Reception of both SECAM L and SECAM L' is now possible (NTSC M reception is generally possible now via the Euroconnector).
8	PIP module present This makes it possible to show PIP (Picture in Picture) displays.
16	NTSC-M reception possible This is normally always in combination with front end FQ816/ME/IF or FQ816/MF/IF
32	SECAM DK module fitted In this case transmissions using the SECAM DK system can also be received.
64	NICAM module fitted In this case the digital sound with NICAM transmission can be received.
128	Second front end for PIP fitted If this second front end is fitted a second transmitter can be displayed in the PIP picture. The PIP function (number 8) still applies.

Optioncode 2	
Nbr.	Function
1	IC7175 present on SSP This is always the case.
2	Not in use
4	100Hz featuring present This is always the case (see also number 64).
8	Not in use
16	Not in use
32	ECO NICAM module present In this case the digital sound broadcast in NICAM transmissions can also be received (see further the number 64 of option code 1).
64	LFR box present This is always the case (see also number 4).
128	Not in use

Electrical adjustments

Optioncode 3	
Nbr.	Function
1	FSS reception only via SAT box This switches the D2-MAC decoder off.
2	Front-end on SAT box is: SF916 In this case it is possible to tune the SAT box to 2 GHz.
4	Satellite front-end SF914/SF916 present (SAT MAC reception) Switching on and off satellite reception via the satellite front-end. On switching off the front-end D2-MAC can only be received via cable-TV (CABLE MAC via MAC IF module).
8	MAC IF module present (CABLE MAC reception) This module makes it possible to decode a D2-MAC signal which is received via the cable front-end (FQ816/FQ844). In this case, besides satellite transmitters, MAC transmitters can also be received via the cable.
16	SECAM "Telecom Audio" reception possible This option generates an extra sound channel in the menu on FSS reception. This channel is necessary for the reception of the French "Telecom" satellite. The necessary hardware is present in all sets so that this option may be selected as desired.
32	Cable-MAC reception only in hyperband In this case the reception of MAC-transmitters via the cable is limited to the hyperband. 16:9 present
64	Not in use
128	"Videocolor 36" Picture tube

Optioncode 4	
Nbr.	Function
1	Teletext Peaking Filter on/off for LFR box (Scandinavia) In Scandinavia this number must be selected .
2	Multi-PIP When the PIP-module operates on a 50Hz basis the Multi-PIP function is present and this option is active. (Multi-PIP provides 9 or 16 small pictures on the screen simultaneously).
4	FL2 model When the operating buttons are located on the side of the set, the set is an FL2 model. (see chapter 4 also).
8-128	Not in use.

3. Repair tips

1. The Service Default Mode

The FL1/2 is equipped with a service default mode. The service default mode is a fixed, definite state to which the set can be switched.

1.1 Definition state

The definition of the fixed state in the service default mode is as follows:

- all sound and picture controls are in the central position (exception volume which is turned down)
- tuned to 475.25 MHz
- system:
 - * PAL/SECAM BG for Multi Europe
 - * PAL I for UK
 - * SECAM L for Multi French

1.2 Switch on and off

The service default mode is switched on by shorting pins S24 and S25 on the small signal panel.

The service default mode can only be switched off by switching the set to stand-by. If the set is switched off and then on again using the mains switch or the mains plug, the service default mode will remain on.

If the set switches to stand-by immediately after switching-on, the set cannot be operated and also cannot be switched to the service default mode. The child-proof lock has already been activated.

To deactivate the child-proof lock the following series of commands has to be given using the remote control (see also Section 9):

<MENU>-<BLUE>-<RED>-<MENU+>-<MENU OFF>

1.3 Fault signals

To indicate that the set is in the service default mode, the following is displayed on the screen:

SERVICE 00 00 05 06 05

The five numbers after the word "service" stand for the last five fault signals noted by the operator(s). The number on the extreme right represents the last fault signal, that on the extreme left the last fault signal but 4. Since this enables fault reports to be looked at afterward, it means that intermittent faults can be traced. When the set leaves the service default mode, the fault-report memory is cleared.

1.4 Operation

During the service default mode the set will accept all operating commands. When, however, the set is switched off and on, it will return to the state as defined above.

2. Error messages

In both FL1 and FL2 models the IC error messages are indicated by a combination of flashing LED's. In FL1 7 LED's on the front of the set are used. In FL2 only 2 LED's have been fitted to the front of the set: 'on' and 'stand-by'; for service purposes the 7 LED's have been fitted inside the set in an SMD version. These are located on the solder side of the panel with buttons for local control on the side of the set. The 2 LED's on the front of the set are connected in parallel with the corresponding service LED's.

Figure 8.1 illustrates the situation for FL1 and FL2. A table of error messages is provided at the end of this chapter.

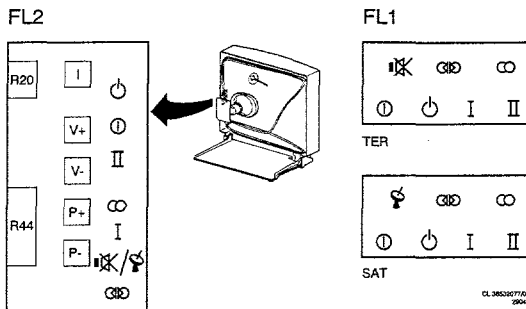


Fig. 8.1

3. Replacement of EEPROM IC7137

If, during a repair, the EEPROM has to be replaced, the microprocessor will detect that the EEPROM is empty. A fault signal (No. 21) will then be displayed.

If the service mode is now activated (see section 7), the microprocessor will load the EEPROM with a number of standard values for the white balance and the other linear settings. These values, however, must all be checked and, if necessary, re-adjusted.

All options have also to be set, the programs installed and the personal preference set.

4. Extension prints

To simplify the measurements ON the various modules extension prints are available for the modules fitted with BTB connectors. Modules can be placed in these connectors so that they stick out above the other prints when the chassis is in the service position.

The code numbers for the extension prints are:

5-fold	4822 395 30261
6-fold	4822 395 30259
8-fold	4822 214 31402
9-fold	4822 395 30258
10-fold	4822 395 30257

5. Removing the PIP module

The PIP module can be simply removed, leaving the set functioning normally (The LED display does however indicate an error condition). Following the removal of the PIP module the signal path is broken. The signal path can be restored by placing the 5-core flat cable with connector S56 in connector foot S16 (see diagram D). The error message can be removed through the application of the option codes (see chapter 7).

6. Removing the SAT box

The SAT box (excluding the interface panel (p)) can be simply removed, leaving the set functioning normally (The LED display does however indicate an error condition). The SAT box can also be partially removed: it is possible to remove both the D2-MAC(S) or FSS(T), leaving the SAT box functioning normally. The error message which remains following the total or partial removal of the SAT box can be removed through the application of the option codes (see chapter 7).

7.

8.

9

9.1

A:
st
th
re
D:
pa

E:
E:
ar
se
4:

S:

C:

F:
th
re
m
In
se
de
su
cc

1.
2.
3.
4.
5.

Ti
m
Ti

L:
1:

D:

H:
lr
pi
sv
st
in
pe
A:
pe
cc
is

A:
st
pi
m
(s

A:
in
de

As all programs, including that for the SAT box, are stored in the main EAROM (IC7137), the settings for these programs will not be lost, even if the SAT box is replaced. The EAROM (IC7450) located on the D2-MAC panel stores all the settings for the D2-MAC panel.

7. Extension cables

Extension cables are available to lead the large signal and small signal panel signals (LSP and SSP) separately out of the set. These are made up as follows:

4822 320 20209	Set of 6 cables for LSP and SSP connections.
----------------	--

See chapter 4 also.

8. Central repair

For panels and modules which are difficult to repair there remains a possibility for central repair. Following receipt of a defective module a repaired and tested module is issued.

In order to guarantee the quality of the central repair service a certain amount of information regarding the defective panel is required. This information should be submitted together with the defective panel. This concerns the following information:

1. Clear description of the fault.
2. Indication of intermittent or continuous fault
3. Type/version number of the set
4. AG-production code and week/year number
5. Serial number

The defective modules should be complete and free of mechanical damage.

These facilities are offered for the modules below:

LFR box (L+M)	4822 212 30857
100Hz box [L']	4822 212 30887

9. Diagnosis and protection

9.1 Hardware and software protection

In case any serious fault occurs in the set, one of the protection circuits will activate. A protection circuit switches of the main power supply (SOPS) via the stand-by input (STBY) of the SOPS control panel. This input is located on pin 1 of connector pin L40 with test point number TP56, and is illustrated on diagram A. As the microprocessor is fed by a separate stand-by power supply (SOPS), the processor and the LED's will continue to operate, even when the main power supply is switched off.

A number of protection circuits can switch off the power supply independently and immediately (hardware protection). In two protection circuits the microprocessor itself switches off the power supply (software protection).

All protection circuits come together on the stand-by input (TP56 of the main power supply. A diagnosis determines which protection circuit is active.

9.2 Protection test point TP56 [diagram A]

The following voltages may be present on the stand-by input of the SOPS control panel (TP56): [see diagram A]

1. Approx. 17V during operation;
2. 0.5 - 1V during hardware protection; (this value is maintained by a thyristor circuit formed by TS7380/TS7381);
3. 0.5Vd during stand-by and software protection.

9.3 Hardware protection:

1. Power supply voltage +13 from the SOPS too high (+V) [diagram A].
This protection circuit activates if the voltage in +13V circuit of the SOPS becomes too high during operation.

2. SOPS and/or +11/-11V for the audio output amplifier defective (SOUND-PROT). [diagram G]

The protection circuit activates when the +11V and -11V voltages are no longer in balance, or when both voltages are absent. This protection circuit also operates when the SOPS does not function or is short-circuited.

This protection circuit is fed by the start-up voltage 'Vstart' from the SOPS.

3. Beam current too high (I-BEAM) [diagram B]
When the beam current becomes too high this protection circuit switches off the power supply. Before this protection circuit can activate the picture will first illuminate brightly. This fault occurs for example on the absence of the +200V power supply voltage on the picture tube panel.

4. Deviating LOT behaviour (EHT, LOT-PROT) [diagram B].
This protection circuit becomes active when a 'unusual' voltage forms appear on the LOT outputs (5555). This may indicate defective or loose components in the line deflection circuit. (LOT, switching transistors, capacitors).

5. East/west output stage defective [diagram B].
This protection circuit activates when the current through the east/west switching transistor T7610 exceeds a specific value. In this case transistor T7542 will conduct for a brief period. (the base-emitter voltage U_{be} from T7542 is then momentary greater than 0.6V).

6. Vertical deflection end stage (IC7450) defective [diagram B].
The frame output stage IC7450 has a protection output (pin 7, TP62). This output becomes momentarily high on any defect in this IC or during the absence of the power supply voltage.
During normal operation there are short pulses on this output.
The frame output stage is fed by a winding on the LOT (5555) (+28V or +32V).
During diagnosis a check should be made whether the +28/+32V power supply voltage continually drops before the protection circuit output is activated. If this is the case then one of the other protection circuits is responsible for switching out the power supply.

Repair tips

By measuring the timing pulses between the protection output (pin 7) and the power supply voltage (pin 6) in relation to earth (pin 2 or 4) it can be determined whether the protection is originating from the frame output stage. The protection circuit overview at the end of this chapter provides a schematic overview of the measurements.

9.4 Software protection

9.4.1 Error message 99

Error message 99 is displayed when software protection is generated by the microprocessor. Software protection becomes active when the +13V and or +5V power supply voltage is not present on the small signal panel (SSP). Due to the absence of the power supply the connected components are unable to provide an IC signal to the microprocessor. The processor then sets the SOPS in stand-by. If this is the case error message 99 is then displayed. Software protection can be switched out by activating the 'Service Default Mode' (see §1).

If the +13V or +5V are absent as a result of hardware protection switching out the power supply, error message 99 will be displayed by the LED's following a short period, as the microprocessor is no longer receiving any signal from the connected IC's. The processor now bridges the hardware protection via the STBY signal. Each hardware protection will therefore eventually result in software protection, resulting in error message 99 being displayed.

During hardware protection the microprocessor makes repeated attempts at communication with the connected IC's before making a decision for software protection.

During this period (up to approximately 5 minutes) the set will not react to any operational commands. Because none of the IC's responds in this period various error messages will be displayed by the LED's. If error message 99 does not eventually appear then the protection circuits are not operational and the cause of the fault can be sought elsewhere.

When the microprocessor generates a STBY signal for implementing software protection TP56 will be made lower than 0.5V by the STBY signal, through which any eventual hardware protection on TP56 will be bridged. In order to determine whether hardware protection is active via TP56 the voltage on TP56 should be measured with the set in the 'Service Default Mode' or measured before error message 99 appears on the LED display.

9.4.2 Software protection

7 +5V on the small signal panel (SSP) [diagram B and C]

To test whether the +5V power supply voltage, from the LOT winding (5555) [diagram B], is reaching the small signal panel without short-circuiting the front-end (1160 [diagram C]) must provide a signal to the microprocessor via IC within a specific time. If this signal does not arrive, the microprocessor switches the main power supply into stand-by, and the LED's will indicate error message 99 once more.

To test whether the front-end is defective the service default mode will have to be selected. If the power supply voltages on the front-end are correct and a front-end error message persists (error 11), then the front-end is defective.

8 +13V on the small signal panel (SSP) [diagrams A, D and F]).

To test whether the +13V power supply voltage from the main power supply (SOPS) [diagram A] is reaching the small signal panel without short-circuiting, IC7430 (TDA4680 video processor, [diagram D]) or IC7600 (TDA8417, stereo decoder, [diagram F]) or IC7680 (TDA8425, audio processor [diagram F]) must provide a signal via IC to the microprocessor within a specific time. If none of these three IC's provides any signal the microprocessor switches the main power supply into stand-by. The LED's indicate error code 99.

9 SAT box power supply defective (only for set with a SAT box (D2-MAC)).

When the SAT box microprocessor does not send a signal to the main processor in the set, the main processor, following error message 51 (SAT box processor), will switch the software protection in. The LED's now indicate error code 99.

To test whether the SAT box processor is defective the service default mode must be selected. If only the error message from the SAT box is now indicated (error 51), and all power supply voltages on the processor are correct, then the SAT box processor is defective.

The operation of the SAT box power supply [diagram O] can be checked as followed:

Disconnect the SAT box and chassis from one another by disconnecting the band cable between the interface panel [diagram P] and the SAT box [diagram O].

When after a short time the set can be started up from stand-by the SAT box will have an incorrect power supply and error message 99 does not appear.

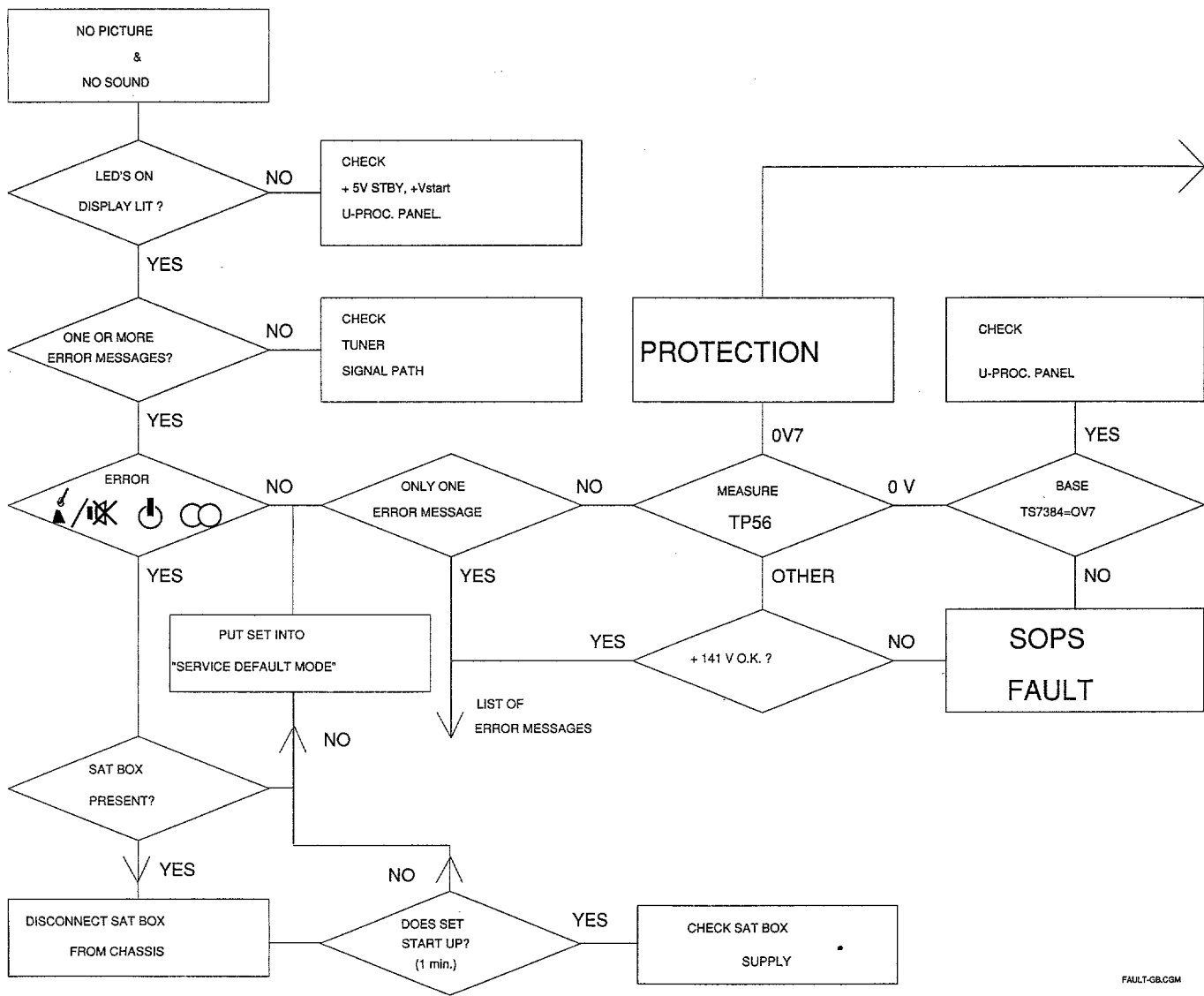
9.5 Measurements in the protection circuits.

All hardware circuits are illustrated in figure 8.2.

The oscillograms indicate the voltages on the relevant test points immediately after the set is switched on.

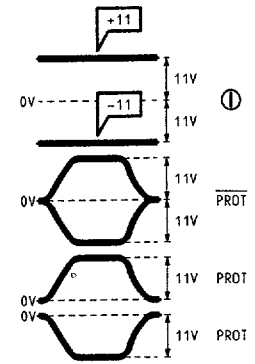
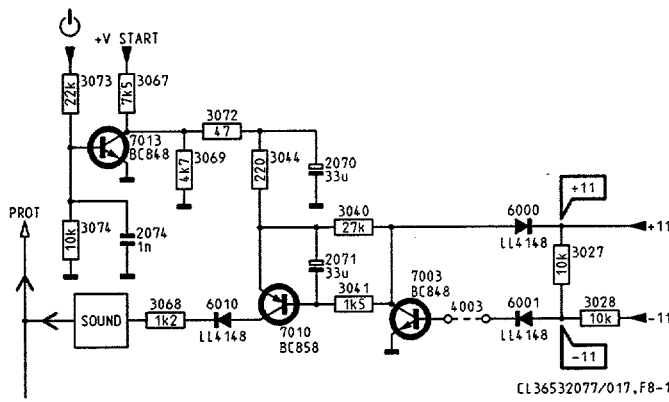
In this case the signals illustrated are for during:

- normal operation
- protection caused by this circuit (PROT);
- protection caused by a different protection circuit (N-PROT).



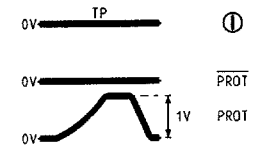
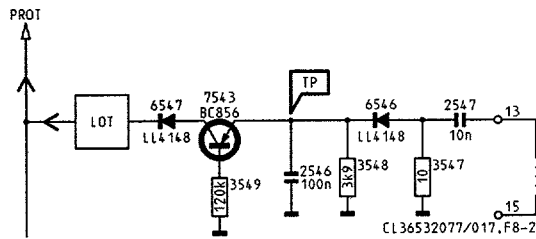
FAULT-GB/GM

+11V
-11V

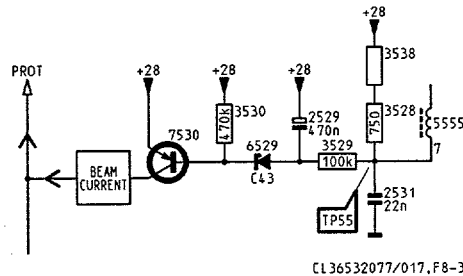


CL36532077/017, F8-1

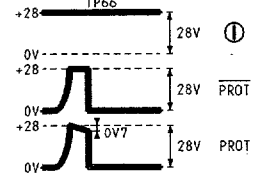
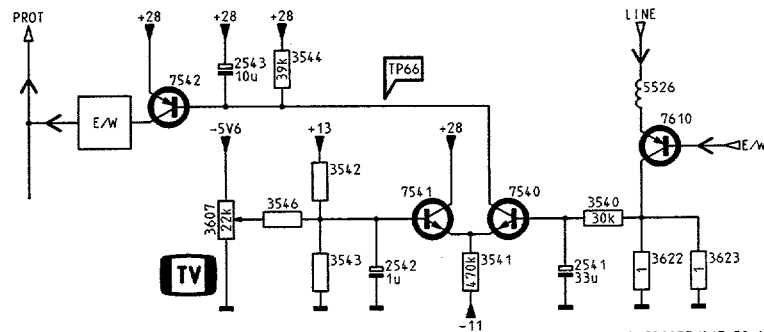
EHT



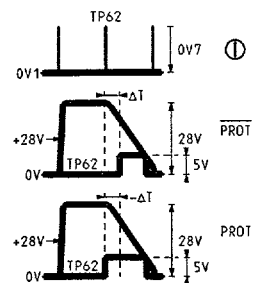
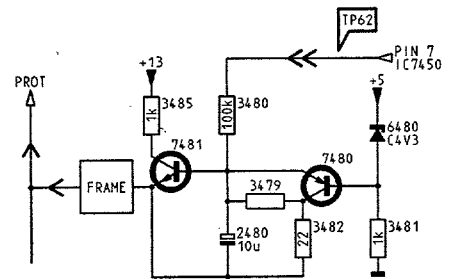
CL36532077/017, F8-2



CL36532077/017, F8-3

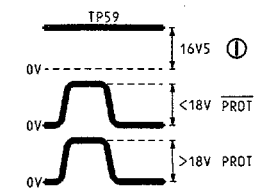
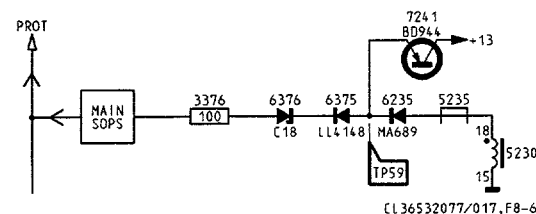


CL36532077/017, F8-4



CL36532077/017, F8-5

+V



CL36532077/017, F8-6

CL36532077/017, FREF 130593

Fig. 8.2

List of error messages

Error number on screen	Flashing LED							Description of error
1 ¹⁾			X		X	X		I ² C, IC7108, SSP [H] (MSM6307)
3					X	X	II	I ² C, IC7215, 100Hz [L] [L'] SAA9042
4				X			X	I ² C, IC7220, 100Hz [M] [L'] 83C652
5				X				I ² C, IC7408, PIP [J] (SDA9088)
6				X	X	X		I ² C, IC7600, SSP [F] (TDA8417)
7							X	I ² C, IC7680, SSP [F] (TDA8425)
8						X	X	IC7440, frame rotation [Z], PCF8574 (16:9)
9			X	X		X		I ² C, IC7430, SSP [D] (TDA4680)
10				X	X		X	I ² C, IC7395, SSP [D] (TDA8443)
11				X	X			I ² C, front-end, SSP [C] (FQ 9XX)
12						X		I ² C, IC7137, SSP [H] (X24C04)
13			X					I ² C, bus on chassis blocked
14			X	X				I ² C, IC7258, SSP [C] (HEF4094)
15			X	X	X			I ² C, IC7219, SSP [C] (TEA6414)
16			X			X		I ² C, IC7040, SAT Interface [P] (TEA6414)
17			X		X			IR-receiver on SSP [H] blocked (1100)
18				X		X	X	7115, SSP, μ proc. [H]
19			X	X	X	X		UART Bus blocked, 7115, SSP, μ proc. [H]
20				X	X	X	X	7115, SSP, μ proc. [H]
21				X				EAROM X24C04 empty, IC7137, SSP [H] (§ 8.3)
23	X				X			I ² C, IC7080, convergence panel [V] (TDA8444)
28		X						I ² C, PIP tuner [J]
29		X						I ² C, IC7638, PIP-modulo [J] (SAA1300)
30			X		X		X	I ² C, IC7175, SSP [C] (PCF8574)
31			X		X	X	X	I ² C, IC7001, NICAM-panel [K] (SAA7280)
33		X						I ² C, PLL (1500) PIP modulo [L]
34 ¹⁾	X		X				X	LNC supply on SAT box [Q,R] not correct
35 ¹⁾	X		X		X		X	IM-bus on SAT box [Q,S] blocked.
36 ¹⁾	X		X	X			X	I ² C, bus on SAT box blocked.
37 ¹⁾	X		X	X	X		X	I ² C, IC7450, D2-MAC [S] (X24C02)
38 ¹⁾	X		X			X	X	I ² C, SAT Tuner [Q] (SF914; SF916)
39 ¹⁾	X		X		X	X	X	HEF STROBE 1, IC7925, FSS [T] (HEF4094)
40 ¹⁾	X		X	X		X	X	D2-MAC [S]
41 ¹⁾	X		X	X	X	X	X	HEF STROBE 2, IC7475, D2-MAC [S] (HEF4094)
42 ¹⁾	X				X		X	IC7250, TUNER/CONTROL [Q]
43 ¹⁾	X			X			X	UART bus blocked IC7250, TUNER/CONTROL [Q].
44 ¹⁾	X			X	X		X	SAT Tuner [Q] (SF914/916)
45 ¹⁾	X					X	X	IC7250, TUNER/CONTROL [Q]
46 ¹⁾	X				X	X	X	IC7250, TUNER/CONTROL [Q]
47 ¹⁾	X			X		X	X	IC7262, TUNER/CONTROL [Q]
48 ¹⁾	X			X	X	X	X	D2-MAC [S]
49 ¹⁾	X			X		X		EAROM X24C02 empty, 7450, D2-MAC [S] (§17)
51 ¹⁾					X	X	X	IC7250, TUNER/CONTROL [Q]
52 ¹⁾			X				X	D2B Bus EXT, SSP [H] blocked.
53			X			X	X	IC7330, MAC TXT [S], TPU2735
55			X	X		X	X	IC7140, Panorama [B], PCF8574 (16:9)
99	X		X		X			Protection

¹⁾ This error is only possible on sets with built in SAT box.

In case an error indication on the set is not included in this table, then check the optional codes (see § 7).